

PART NUMBER MATRIX

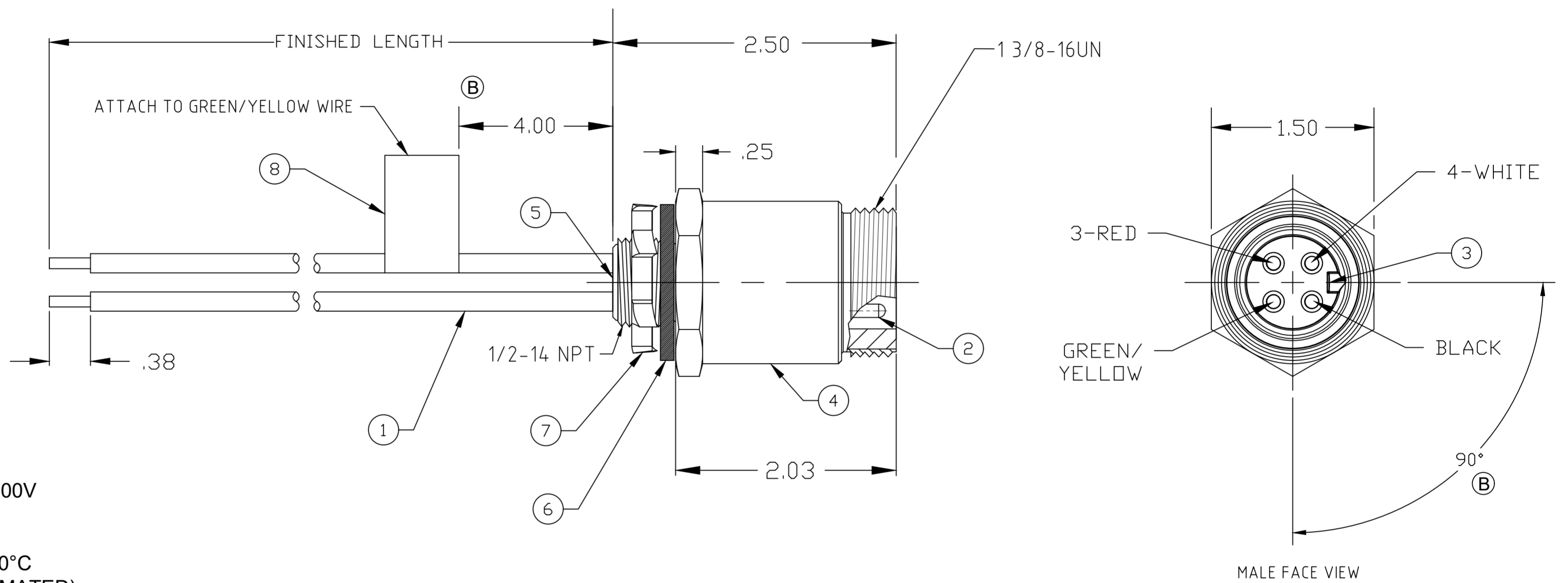
CR4006A20A120

FINISHED LENGTH:
 A120= 12 IN.
 F020= 2 FEET
 F100= 10 FEET
 M005= 0.5 METER
 M010= 1.0 METER
 M100= 10.0 METE

PART NUMBER	ENGINEERING NUMBER	LENGTH
1300662004	CR4006A20A120	12.0 IN [0.3M]

CABLE LENGTH TOLERANCES

>.3M [1FT]:	+19mm-0 [+.75in-0]
.3 - .9M [1 - 3FT]:	+44.5mm-0 [+1.75in-0]
.9 - 1.8M [3 - 6FT]:	+55.6mm-0 [+2.19in-0]
1.8 - 3.7M [6 - 12FT]:	+88.9mm-0 [+3.50in-0]
3.7 - 7.3M [12 - 24FT]:	+165.1mm-0 [+6.50in-0]
7.3-14.6M [24 - 48FT]:	+317.5mm-0 [+12.50in-0]
14.6 - 30.5M [48-100FT]:	+622.3mm-0 [+24.50in-0]
OVER 30M [100FT]	+2% OF FINISHED LENGTH



- NOTES:**
1. MATERIAL: AS NOTED
 2. FINISH: AS NOTED
 3. ELECTRICAL:
 VOLTAGE PER IEC 60664: 500V
 600V PER UL 2237
 CURRENT: 20A
 4. TEMP RATING: -20°C TO +90°C
 5. PROTECTION: IP67 (WHEN MATED)
 6. COUPLING THREAD: AS NOTED
 7. UL LISTED FILE: E258922
 8. ALL DIMS ARE FOR REFERENCE UNLESS TOLERANCED OR NOTED OTHERWISE

ITEM	DESCRIPTION	MATERIAL	FINISH
8	FLAG LABEL	VINYL	YELLOW
7	LOCKNUT	STEEL	ZINC PLATE
6	GASKET	NEOPRENE	BLACK
5	POTTING MATERIAL	EPOXY	BLACK
4	RECEPTACLE SHELL	6061-T6 ALUMINUM	ANODIZED
3	MALE INSERT	TPE (D)	BLACK
2	CONTACT PIN	COPPER ALLOY	GOLD PLATED
1	WIRE, 12 AWG UL 1015	PVC JACKET	SEE FACE VIEW

SYMBOLS				THIS DRAWING CONTAINS INFORMATION THAT IS PROPRIETARY TO MOLEX ELECTRONIC TECHNOLOGIES, LLC AND SHOULD NOT BE USED WITHOUT WRITTEN PERMISSION			
▽ = 0	▽ = 0	▽ = 0	▽ = 0	DIMENSION UNITS	SCALE	CURRENT REV DESC: UPDATE BORDER, NOTES, ADD 90 DEG, 4.00 WAS 7.00, ADD P/N MATRIX, CABLE LENGTH TOLS INSERT WAS PVC	
▽ = 0	▽ = 0	▽ = 0	▽ = 0	HYBRID	1:1	molex BRAD POWER RECEPTACLE MALE, SINGLE KEY, 1/2 NPT, 16AWG	
▽ = 0	▽ = 0	▽ = 0	▽ = 0	GENERAL TOLERANCES (UNLESS SPECIFIED)			
▽ = 0	▽ = 0	▽ = 0	▽ = 0	mm	INCH	EC NO: 631946	2020/02/18
▽ = 0	▽ = 0	▽ = 0	▽ = 0	4 PLACES	±----	DRWN: RSTONE	2020/04/03
▽ = 0	▽ = 0	▽ = 0	▽ = 0	3 PLACES	±----	CHK'D: MZIELINSKI	2020/04/07
▽ = 0	▽ = 0	▽ = 0	▽ = 0	2 PLACES	±----	APPR: BWOODMAN	
▽ = 0	▽ = 0	▽ = 0	▽ = 0	1 PLACE	±----	INITIAL REVISION:	
▽ = 0	▽ = 0	▽ = 0	▽ = 0	0 PLACES	±----	DRWN: MODELL	2008/09/05
▽ = 0	▽ = 0	▽ = 0	▽ = 0	ANGULAR TOL ± ---- °		APPR: RDEROSS	2008/09/05
▽ = 0	▽ = 0	▽ = 0	▽ = 0	DRAFT WHERE APPLICABLE MUST REMAIN WITHIN DIMENSIONS	THIRD ANGLE PROJECTION	DRAWING	SERIES
▽ = 0	▽ = 0	▽ = 0	▽ = 0			C-SIZE	130066
DOCUMENT STATUS		P1	RELEASE DATE	2020/04/07	14:15:59	DOCUMENT NUMBER	
						SD-130066-021	
						DOC TYPE	DOC PART
						PSD	001
						REVISION	
						B	
						MATERIAL NUMBER	CUSTOMER
							GENERAL MARKET
						SHEET NUMBER	
						1 OF 1	