

## Features

- Fast Read Access Time - 120 ns
- Dual Voltage Range Operation
  - Unregulated Battery Power Supply Range, 2.7V to 3.6V
  - or Standard 5V  $\pm$  10% Supply Range
- Pin Compatible with JEDEC Standard AT27C4096
- Low Power CMOS Operation
  - 20  $\mu$ A max. (less than 1  $\mu$ A typical) Standby for  $V_{CC} = 3.6V$
  - 36 mW max. Active at 5 MHz for  $V_{CC} = 3.6V$
- JEDEC Standard Surface Mount Packages
  - 44-Lead PLCC
  - 40-Lead TSOP (10 x 14mm)
- High Reliability CMOS Technology
  - 2,000V ESD Protection
  - 200 mA Latchup Immunity
- Rapid™ Programming algorithm - 100  $\mu$ s/word (typical)
- CMOS and TTL Compatible Inputs and Outputs
  - JEDEC Standard for LVTTTL and LVBO
- Integrated Product Identification Code
- Commercial and Industrial Temperature Ranges

## Description

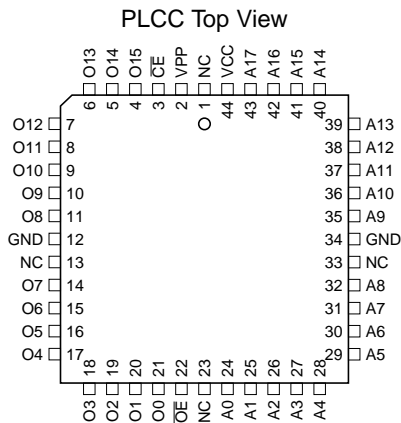
The AT27BV4096 is a high performance, low power, low voltage 4,194,304-bit one-time programmable read only memory (OTP EPROM) organized as 256K by 16 bits. It requires only one supply in the range of 2.7V to 3.6V in normal read mode operation. The by-16 organization makes this part ideal for portable and handheld 16 and 32 bit microprocessor based systems using either regulated or unregulated battery power.

(continued)

## Pin Configurations

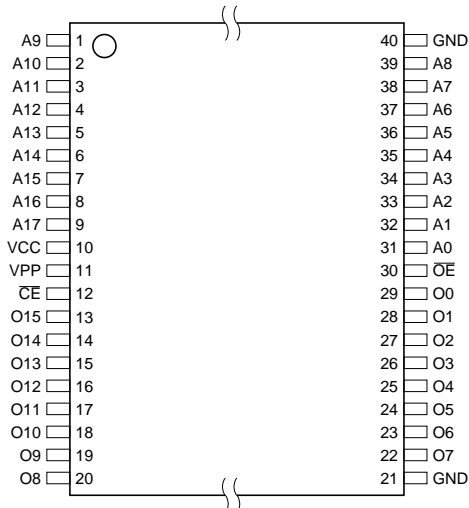
| Pin Name        | Function      |
|-----------------|---------------|
| A0 - A17        | Addresses     |
| O0 - O15        | Outputs       |
| $\overline{CE}$ | Chip Enable   |
| $\overline{OE}$ | Output Enable |
| NC              | No Connect    |

Note: Both GND pins must be connected.



Note: PLCC package pins 1 and 23 are DON'T CONNECT.

TSOP Top View  
Type 1



Rev. 0640B-10/98



**4-Megabit  
(256K x 16)  
Unregulated  
Battery-Voltage™  
High-Speed OTP  
EPROM**

**AT27BV4096**



Atmel's innovative design techniques provide fast speeds that rival 5V parts while keeping the low power consumption of a 3V supply. At  $V_{CC} = 2.7V$ , any word can be accessed in less than 120 ns. With a typical power dissipation of only 18 mW at 5 MHz and  $V_{CC} = 3V$ , the AT27BV4096 consumes less than one fifth the power of a standard 5V EPROM.

Standby mode supply current is typically less than 1  $\mu A$  at 3V. The AT27BV4096 simplifies system design and stretches battery lifetime even further by eliminating the need for power supply regulation.

The AT27BV4096 is available in industry standard JEDEC-approved one-time programmable (OTP) plastic PLCC and TSOP packages. All devices feature two-line control ( $\overline{CE}$ ,  $\overline{OE}$ ) to give designers the flexibility to prevent bus contention.

The AT27BV4096 operating with  $V_{CC}$  at 3.0V produces TTL level outputs that are compatible with standard TTL logic devices operating at  $V_{CC} = 5.0V$ . At  $V_{CC} = 2.7V$ , the part is compatible with JEDEC approved low voltage battery operation (LVBO) interface specifications. The device is also capable of standard 5-volt operation making it ideally suited for dual supply range systems or card products that are pluggable in both 3-volt and 5-volt hosts.

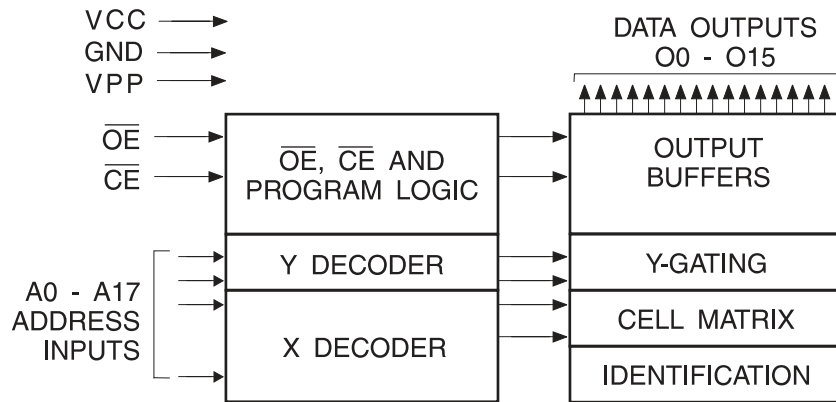
Atmel's AT27BV4096 has additional features to ensure high quality and efficient production use. The Rapid™ Pro-

gramming Algorithm reduces the time required to program the part and guarantees reliable programming. Programming time is typically only 100  $\mu s$ /word. The Integrated Product Identification Code electronically identifies the device and manufacturer. This feature is used by industry standard programming equipment to select the proper programming algorithms and voltages. The AT27BV4096 programs exactly the same way as a standard 5V AT27C4096 and uses the same programming equipment.

## System Considerations

Switching between active and standby conditions via the Chip Enable pin may produce transient voltage excursions. Unless accommodated by the system design, these transients may exceed data sheet limits, resulting in device non-conformance. At a minimum, a 0.1  $\mu F$  high frequency, low inherent inductance, ceramic capacitor should be utilized for each device. This capacitor should be connected between the  $V_{CC}$  and Ground terminals of the device, as close to the device as possible. Additionally, to stabilize the supply voltage level on printed circuit boards with large EPROM arrays, a 4.7  $\mu F$  bulk electrolytic capacitor should be utilized, again connected between the  $V_{CC}$  and Ground terminals. This capacitor should be positioned as close as possible to the point where the power supply is connected to the array.

## Block Diagram



## Absolute Maximum Ratings\*

|  |                                |
|--|--------------------------------|
| Temperature Under Bias .....                                   | -55°C to +125°C                |
| Storage Temperature .....                                      | -65°C to +150°C                |
| Voltage on Any Pin with<br>Respect to Ground .....             | -2.0V to +7.0V <sup>(1)</sup>  |
| Voltage on A9 with<br>Respect to Ground .....                  | -2.0V to +14.0V <sup>(1)</sup> |
| V <sub>PP</sub> Supply Voltage with<br>Respect to Ground ..... | -2.0V to +14.0V <sup>(1)</sup> |

\*NOTICE: Stresses beyond those listed under “Absolute Maximum Ratings” may cause permanent damage to the device. This is a stress rating only and functional operation of the device at these or any other conditions beyond those indicated in the operational sections of this specification is not implied. Exposure to absolute maximum rating conditions for extended periods may affect device reliability

Note: 1. Minimum voltage is -0.6V dc which may undershoot to -2.0V for pulses of less than 20 ns. Maximum output pin voltage is V<sub>CC</sub> + 0.75V dc which may be exceeded if certain precautions are observed (consult application notes) and which may overshoot to +7.0V for pulses of less than 20 ns.

## Operating Modes

| Mode \ Pin                               | $\overline{CE}$ | $\overline{OE}$ | Ai  | V <sub>PP</sub>  | V <sub>CC</sub>                | Outputs             |
|--|-----------------|-----------------|---|------------------|--------------------------------|---------------------|
| Read <sup>(2)</sup>                      | V <sub>IL</sub> | V <sub>IL</sub> | Ai  | X <sup>(1)</sup> | V <sub>CC</sub> <sup>(2)</sup> | D <sub>OUT</sub>    |
| Output Disable <sup>(2)</sup>            | X               | V <sub>IH</sub> | X   | X                | V <sub>CC</sub> <sup>(2)</sup> | High Z              |
| Standby <sup>(2)</sup>                   | V <sub>IH</sub> | X               | X   | X <sup>(5)</sup> | V <sub>CC</sub> <sup>(2)</sup> | High Z              |
| Rapid Program <sup>(3)</sup>             | V <sub>IL</sub> | V <sub>IH</sub> | Ai  | V <sub>PP</sub>  | V <sub>CC</sub> <sup>(3)</sup> | D <sub>IN</sub>     |
| PGM Verify <sup>(3)</sup>                | V <sub>IH</sub> | V <sub>IL</sub> | Ai  | V <sub>PP</sub>  | V <sub>CC</sub> <sup>(3)</sup> | D <sub>OUT</sub>    |
| PGM Inhibit <sup>(3)</sup>               | V <sub>IH</sub> | V <sub>IH</sub> | X   | V <sub>PP</sub>  | V <sub>CC</sub> <sup>(3)</sup> | High Z              |
| Product Identification <sup>(3)(5)</sup> | V <sub>IL</sub> | V <sub>IL</sub> | A9 = V <sub>H</sub> <sup>(4)</sup><br>A0 = V <sub>IH</sub> or V <sub>IL</sub><br>A1 - A17 = V <sub>IL</sub> | V <sub>CC</sub>  | V <sub>CC</sub> <sup>(3)</sup> | Identification Code |

- Notes:
- X can be V<sub>IL</sub> or V<sub>IH</sub>.
  - Read, output disable, and standby modes require, 2.7V ≤ V<sub>CC</sub> ≤ 3.6V, or 4.5V ≤ V<sub>CC</sub> ≤ 5.5V.
  - Refer to Programming Characteristics. Programming modes require V<sub>CC</sub> = 6.5V.
  - V<sub>H</sub> = 12.0 ± 0.5V.
  - Two identifier bytes may be selected. All Ai inputs are held low (V<sub>IL</sub>), except A9 which is set to V<sub>H</sub> and A0 which is toggled low (V<sub>IL</sub>) to select the Manufacturer's Identification byte and high (V<sub>IH</sub>) to select the Device Code byte.



## DC and AC Operating Conditions for Read Operation

|                              |      | AT27BV4096-12 | AT27BV4096-15 |
|------------------------------|------|---------------|---------------|
| Operating Temperature (Case) | Com. | 0°C - 70°C    | 0°C - 70°C    |
|                              | Ind. | -40°C - 85°C  | -40°C - 85°C  |
| V <sub>CC</sub> Power Supply |      | 2.7V to 3.6V  | 2.7V to 3.6V  |
|                              |      | 5V ± 10%      | 5V ± 10%      |

## DC and Operating Characteristics for Read Operation

| Symbol                               | Parameter   | Condition   | Min                   | Max                   | Units |
|--------------------------------------|---|---|-----------------------|-----------------------|-------|
| <b>V<sub>CC</sub> = 2.7V to 3.6V</b> |   |   |                       |                       |       |
| I <sub>LI</sub>                      | Input Load Current                                  | V <sub>IN</sub> = 0V to V <sub>CC</sub>   |                       | ±1                    | μA    |
| I <sub>LO</sub>                      | Output Leakage Current                              | V <sub>OUT</sub> = 0V to V <sub>CC</sub>  |                       | ±5                    | μA    |
| I <sub>PP1</sub> <sup>(2)</sup>      | V <sub>PP</sub> <sup>(1)</sup> Read/Standby Current | V <sub>PP</sub> = V <sub>CC</sub>   |                       | 10                    | μA    |
| I <sub>SB</sub>                      | V <sub>CC</sub> <sup>(1)</sup> Standby Current      | I <sub>SB1</sub> (CMOS), $\overline{CE} = V_{CC} \pm 0.3V$                            |                       | 20                    | μA    |
|                                      |   | I <sub>SB2</sub> (TTL), $\overline{CE} = 2.0$ to V <sub>CC</sub> + 0.5V               |                       | 100                   | μA    |
| I <sub>CC</sub>                      | V <sub>CC</sub> Active Current                      | f = 5 MHz, I <sub>OUT</sub> = 0 mA, $\overline{CE} = V_{IL}$ , V <sub>CC</sub> = 3.6V |                       | 10                    | mA    |
| V <sub>IL</sub>                      | Input Low Voltage                                   | V <sub>CC</sub> = 3.0 to 3.6V   | -0.6                  | 0.8                   | V     |
|                                      |   | V <sub>CC</sub> = 2.7 to 3.6V   | -0.6                  | 0.2 x V <sub>CC</sub> | V     |
| V <sub>IH</sub>                      | Input High Voltage                                  | V <sub>CC</sub> = 3.0 to 3.6V   | 2.0                   | V <sub>CC</sub> + 0.5 | V     |
|                                      |   | V <sub>CC</sub> = 2.7 to 3.6V   | 0.7 x V <sub>CC</sub> | V <sub>CC</sub> + 0.5 | V     |
| V <sub>OL</sub>                      | Output Low Voltage                                  | I <sub>OL</sub> = 2.0 mA  |                       | 0.4                   | V     |
|                                      |   | I <sub>OL</sub> = 100 μA  |                       | 0.2                   | V     |
|                                      |   | I <sub>OL</sub> = 20 μA   |                       | 0.1                   | V     |
| V <sub>OH</sub>                      | Output High Voltage                                 | I <sub>OH</sub> = -2.0 mA   | 2.4                   |                       | V     |
|                                      |   | I <sub>OH</sub> = -100 μA   | V <sub>CC</sub> - 0.2 |                       | V     |
|                                      |   | I <sub>OH</sub> = -20 μA  | V <sub>CC</sub> - 0.1 |                       | V     |
| <b>V<sub>CC</sub> = 4.5V to 5.5V</b> |   |   |                       |                       |       |
| I <sub>LI</sub>                      | Input Load Current                                  | V <sub>IN</sub> = 0V to V <sub>CC</sub>   |                       | ±1                    | μA    |
| I <sub>LO</sub>                      | Output Leakage Current                              | V <sub>OUT</sub> = 0V to V <sub>CC</sub>  |                       | ±5                    | μA    |
| I <sub>PP1</sub> <sup>(2)</sup>      | V <sub>PP</sub> <sup>(1)</sup> Read/Standby Current | V <sub>PP</sub> = V <sub>CC</sub>   |                       | 10                    | μA    |
| I <sub>SB</sub>                      | V <sub>CC</sub> <sup>(1)</sup> Standby Current      | I <sub>SB1</sub> (CMOS), $\overline{CE} = V_{CC} \pm 0.3V$                            |                       | 100                   | μA    |
|                                      |   | I <sub>SB2</sub> (TTL), $\overline{CE} = 2.0$ to V <sub>CC</sub> + 0.5V               |                       | 1                     | mA    |
| I <sub>CC</sub>                      | V <sub>CC</sub> Active Current                      | f = 5 MHz, I <sub>OUT</sub> = 0 mA, $\overline{CE} = V_{IL}$                          |                       | 40                    | mA    |
| V <sub>IL</sub>                      | Input Low Voltage                                   |   | -0.6                  | 0.8                   | V     |
| V <sub>IH</sub>                      | Input High Voltage                                  |   | 2.0                   | V <sub>CC</sub> + 0.5 | V     |
| V <sub>OL</sub>                      | Output Low Voltage                                  | I <sub>OL</sub> = 2.1 mA  |                       | 0.4                   | V     |
| V <sub>OH</sub>                      | Output High Voltage                                 | I <sub>OH</sub> = -400 μA   | 2.4                   |                       | V     |

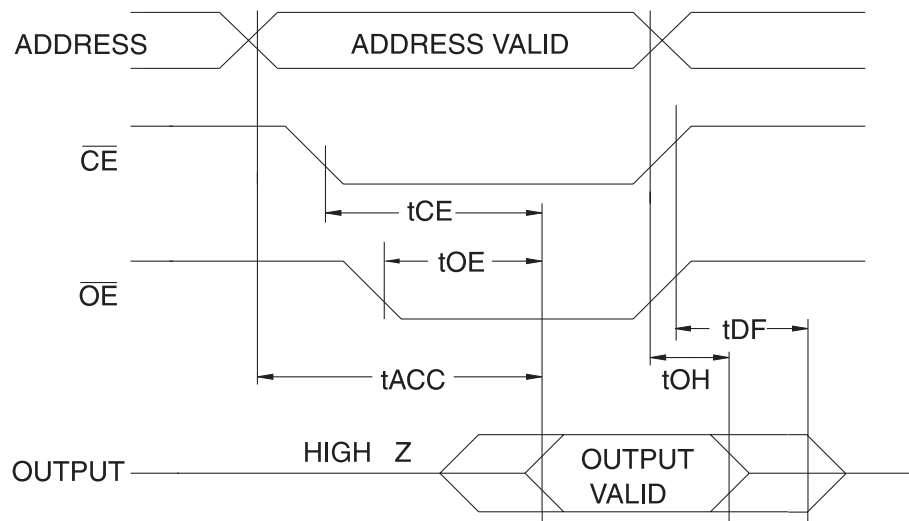
- Notes: 1. V<sub>CC</sub> must be applied simultaneously with or before V<sub>PP</sub> and removed simultaneously with or after V<sub>PP</sub>  
 2. V<sub>PP</sub> may be connected directly to V<sub>CC</sub>, except during programming. The supply current would then be the sum of I<sub>CC</sub> and I<sub>PP</sub>

## AC Characteristics for Read Operation

$V_{CC} = 2.7V$  to  $3.6V$  and  $4.5V$  to  $5.5V$

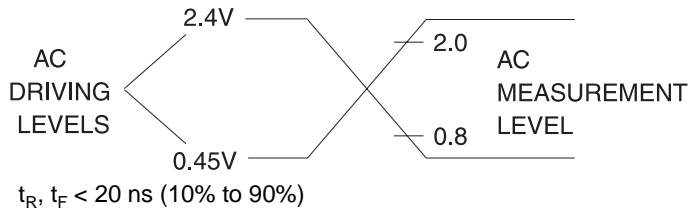
| Symbol            | Parameter   | Condition                                | AT27BV4096-12 |     | AT27BV4096-15 |     | Units |
|-------------------|---|--|---------------|-----|---------------|-----|-------|
|                   |   |  | Min           | Max | Min           | Max |       |
| $t_{ACC}^{(3)}$   | Address to Output Delay   | $\overline{CE} = \overline{OE} = V_{IL}$ |               | 120 |               | 150 | ns    |
| $t_{CE}^{(2)}$    | $\overline{CE}$ to Output Delay   | $\overline{OE} = V_{IL}$                 |               | 120 |               | 150 | ns    |
| $t_{OE}^{(2)(3)}$ | $\overline{OE}$ to Output Delay   | $\overline{CE} = V_{IL}$                 |               | 35  |               | 50  | ns    |
| $t_{DF}^{(4)(5)}$ | $\overline{OE}$ or $\overline{CE}$ High to Output Float, whichever occurred first       |  |               | 30  |               | 40  | ns    |
| $t_{OH}$          | Output Hold from Address, $\overline{CE}$ or $\overline{OE}$ , whichever occurred first |  | 0             |     | 0             |     | ns    |

## AC Waveforms for Read Operation<sup>(1)</sup>

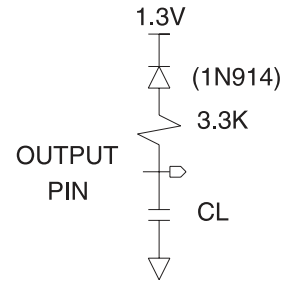


- Notes:
1. Timing measurement references are 0.8V and 2.0V. Input AC drive levels are 0.45V and 2.4V, unless otherwise specified.
  2.  $\overline{OE}$  may be delayed up to  $t_{CE} - t_{OE}$  after the falling edge of  $\overline{CE}$  without impact on  $t_{CE}$ .
  3.  $\overline{OE}$  may be delayed up to  $t_{ACC} - t_{OE}$  after the address is valid without impact on  $t_{ACC}$ .
  4. This parameter is only sampled and is not 100% tested.
  5. Output float is defined as the point when data is no longer driven.
  6. When reading a 27BV4096, a  $0.1 \mu F$  capacitor is required across  $V_{CC}$  and ground to suppress spurious voltage transients.

## Input Test Waveforms and Measurement Levels



## Output Test Load



Note: CL = 100 pF including jig capacitance.

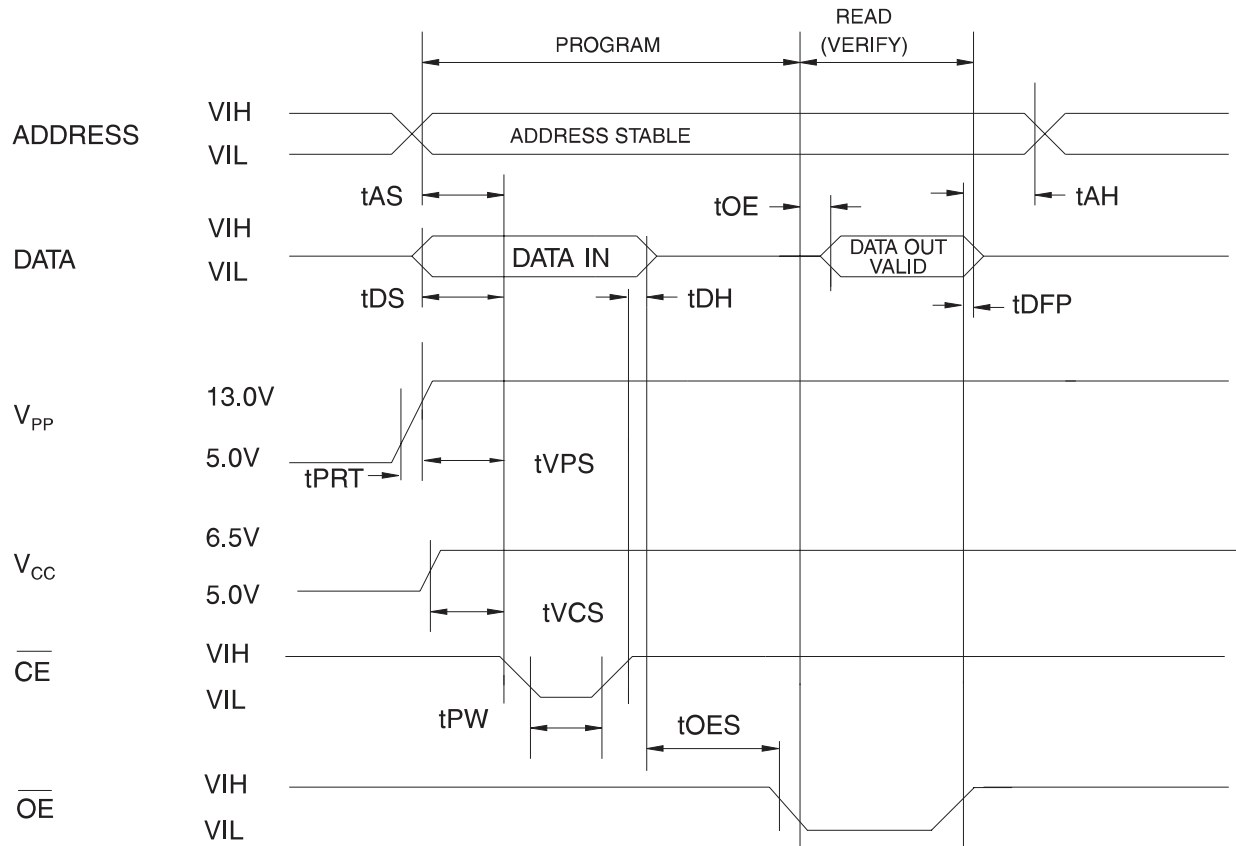
## Pin Capacitance

$f = 1 \text{ MHz } T = 25^\circ\text{C}^{(1)}$

| Symbol    | Typ | Max | Units | Conditions     |
|-----------|-----|-----|-------|----------------|
| $C_{IN}$  | 4   | 10  | pF    | $V_{IN} = 0V$  |
| $C_{OUT}$ | 8   | 12  | pF    | $V_{OUT} = 0V$ |

Note: 1. Typical values for nominal supply voltage. This parameter is only sampled and is not 100% tested.

## Programming Waveforms<sup>(1)</sup>



- Notes:
1. The Input Timing Reference is 0.8V for V<sub>IL</sub> and 2.0V for V<sub>IH</sub>.
  2. t<sub>OE</sub> and t<sub>DFP</sub> are characteristics of the device but must be accommodated by the programmer.
  3. When programming the AT27BV4096 a 0.1 μF capacitor is required across V<sub>PP</sub> and ground to suppress spurious voltage transients.

## DC Programming Characteristics

TA = 25 ± 5°C, V<sub>CC</sub> = 6.5 ± 0.25V, V<sub>PP</sub> = 13.0 ± 0.25V

| Symbol           | Parameter   | Test Conditions                                     | Limits |                       | Units |
|------------------|---|---|--------|-----------------------|-------|
|                  |   |   | Min    | Max                   |       |
| I <sub>LI</sub>  | Input Load Current                                  | V <sub>IN</sub> = V <sub>IL</sub> , V <sub>IH</sub> |        | ±10                   | mA    |
| V <sub>IL</sub>  | Input Low Level                                     |   | -0.6   | 0.8                   | V     |
| V <sub>IH</sub>  | Input High Level                                    |   | 2.0    | V <sub>CC</sub> + 0.1 | V     |
| V <sub>OL</sub>  | Output Low Voltage                                  | I <sub>OL</sub> = 2.1 mA                            |        | 0.4                   | V     |
| V <sub>OH</sub>  | Output High Voltage                                 | I <sub>OH</sub> = -400 μA                           | 2.4    |                       | V     |
| I <sub>CC2</sub> | V <sub>CC</sub> Supply Current (Program and Verify) |   |        | 50                    | mA    |
| I <sub>PP2</sub> | V <sub>PP</sub> Supply Current                      | CE = V <sub>IL</sub>                                |        | 30                    | mA    |
| V <sub>ID</sub>  | A9 Product Identification Voltage                   |   | 11.5   | 12.5                  | V     |



## AC Programming Characteristics

$T_A = 25 \pm 5^\circ\text{C}$ ,  $V_{CC} = 6.5 \pm 0.25\text{V}$ ,  $V_{PP} = 13.0 \pm 0.25\text{V}$

| Symbol    | Parameter   | Test Conditions <sup>(1)</sup>                   | Limits   |      | Units         |
|-----------|---|--|--|------|---------------|
|           |   |  | Min  | Max  |               |
| $t_{AS}$  | Address Setup Time  | Input Rise and Fall Times:<br>(10% to 90%) 20 ns | 2  |      | $\mu\text{s}$ |
| $t_{CES}$ | $\overline{CE}$ Setup Time                                |  | 2  |      | $\mu\text{s}$ |
| $t_{OES}$ | $\overline{OE}$ Setup Time                                |  | 2  |      | $\mu\text{s}$ |
| $t_{DS}$  | Data Setup Time   |  | 2  |      | $\mu\text{s}$ |
| $t_{AH}$  | Address Hold Time   | Input Pulse Levels:<br>0.45V to 2.4V             | 0  |      | $\mu\text{s}$ |
| $t_{DH}$  | Data Hold Time  |  | 2  |      | $\mu\text{s}$ |
| $t_{DFP}$ | $\overline{OE}$ High to Output Float Delay <sup>(2)</sup> | Input Timing Reference Level:<br>0.8V to 2.0V    | 0  | 130  | ns            |
| $t_{VPS}$ | $V_{PP}$ Setup Time                                       |  | 2  |      | $\mu\text{s}$ |
| $t_{VCS}$ | $V_{CC}$ Setup Time                                       |  | 2  |      | $\mu\text{s}$ |
| $t_{PW}$  | $\overline{PGM}$ Program Pulse Width <sup>(3)</sup>       |  | Output Timing Reference Level:<br>0.8V to 2.0V | 47.5 | 52.5          |
| $t_{OE}$  | Data Valid from $\overline{OE}$                           |  |  | 150  | ns            |
| $t_{PRT}$ | $V_{PP}$ Pulse Rise Time During Programming               | 50   |  |      | ns            |

- Notes:
- $V_{CC}$  must be applied simultaneously or before  $V_{PP}$  and removed simultaneously or after  $V_{PP}$
  - This parameter is only sampled and is not 100% tested. Output Float is defined as the point where data is no longer driven—see timing diagram.
  - Program Pulse width tolerance is  $50 \mu\text{sec} \pm 5\%$ .

## Atmel's 27BV4096 Integrated Product Identification Code<sup>(1)</sup>

| Codes        | Pins |        |    |    |    |    |    |    |    |    | Hex Data |
|--------------|------|--------|----|----|----|----|----|----|----|----|----------|
|              | A0   | O15-O8 | O7 | O6 | O5 | O4 | O3 | O2 | O1 | O0 |          |
| Manufacturer | 0    | 0      | 0  | 0  | 0  | 1  | 1  | 1  | 1  | 0  | 001E     |
| Device Type  | 1    | 0      | 1  | 1  | 1  | 1  | 0  | 1  | 0  | 0  | 00F4     |

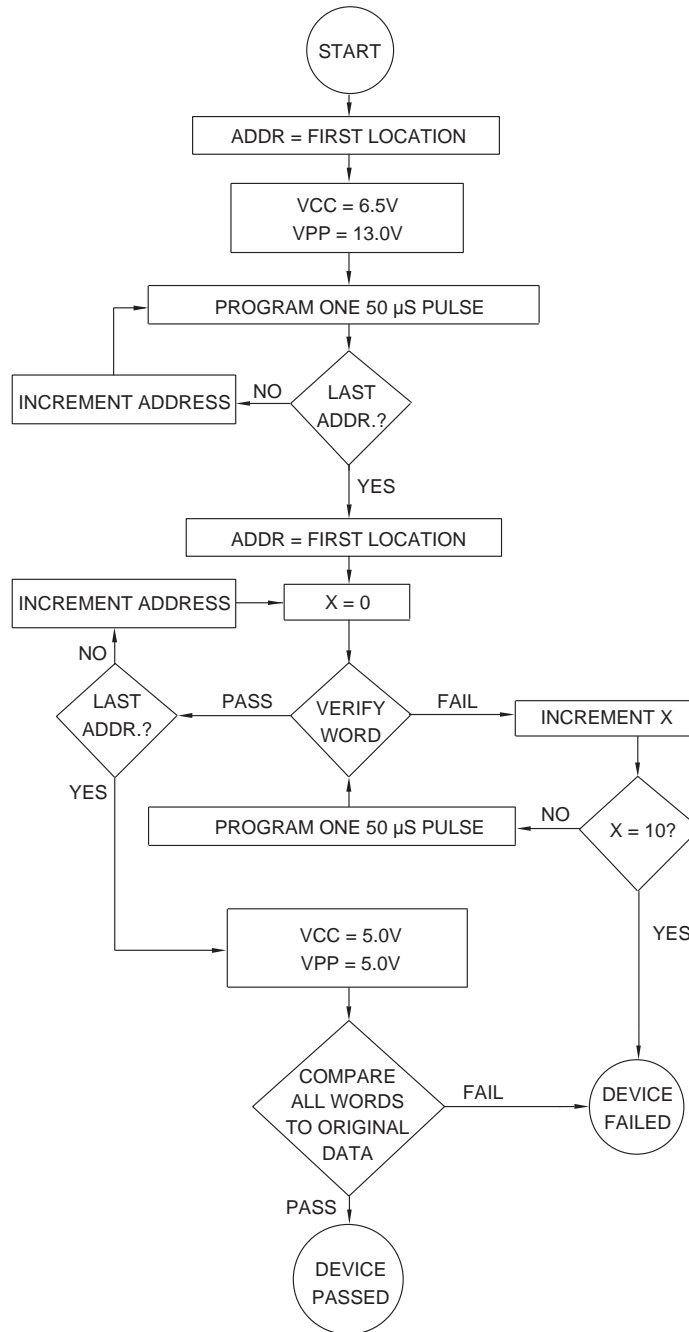
- Note: 1. The AT27BV4096 has the same Product Identification Code as the AT27C4096. Both are programming compatible.



### Rapid Programming Algorithm

A 50  $\mu\text{s}$   $\overline{\text{CE}}$  pulse width is used to program. The address is set to the first location.  $V_{\text{CC}}$  is raised to 6.5V and  $V_{\text{PP}}$  is raised to 13.0V. Each address is first programmed with one 50  $\mu\text{s}$   $\overline{\text{CE}}$  pulse without verification. Then a verification / reprogramming loop is executed for each address. In the event a word fails to pass verification, up to 10 successive 50  $\mu\text{s}$  pulses are applied with a verification after each

pulse. If the word fails to verify after 10 pulses have been applied, the part is considered failed. After the word verifies properly, the next address is selected until all have been checked.  $V_{\text{PP}}$  is then lowered to 5.0V and  $V_{\text{CC}}$  to 5.0V. All words are read again and compared with the original data to determine if the device passes or fails.





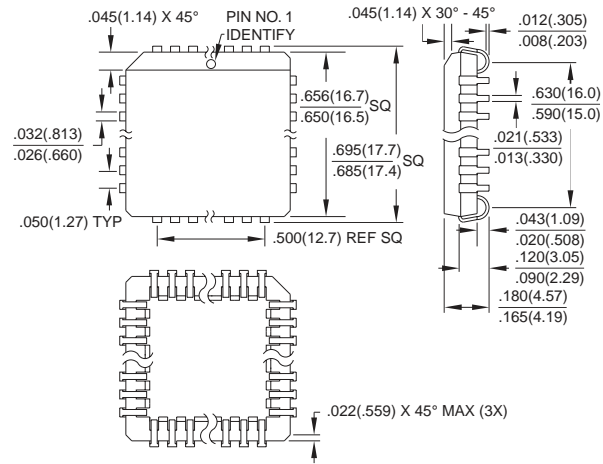
## Ordering Information

| $t_{ACC}$<br>(ns) | $I_{CC}$ (mA) |         | Ordering Code                      | Package    | Operation Range               |
|-------------------|---------------|---------|------------------------------------|------------|-------------------------------|
|                   | Active        | Standby |                                    |            |                               |
| 120               | 8             | 0.02    | AT27BV4096-12JC<br>AT27BV4096-12VC | 44J<br>40V | Commercial<br>(0°C to 70°C)   |
|                   | 8             | 0.02    | AT27BV4096-12JI<br>AT27BV4096-12VI | 44J<br>40V | Industrial<br>(-40°C to 85°C) |
| 150               | 8             | 0.02    | AT27BV4096-15JC<br>AT27BV4096-15VC | 44J<br>40V | Commercial<br>(0°C to 70°C)   |
|                   | 8             | 0.02    | AT27BV4096-15JI<br>AT27BV4096-15VI | 44J<br>40V | Industrial<br>(-40°C to 85°C) |

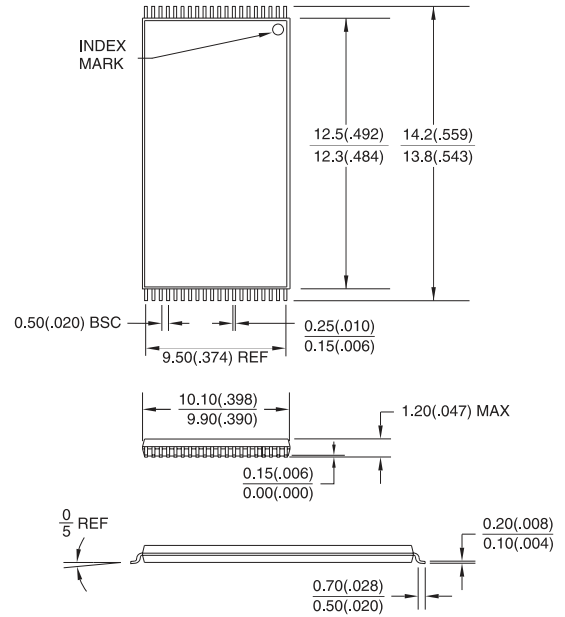
| Package Type |   |
|--------------|---|
| <b>44J</b>   | 44-Lead, Plastic J-Leaded Chip Carrier (PLCC)                 |
| <b>40V</b>   | 40-Lead, Plastic Thin Small Outline Package (TSOP) 10 x 14 mm |

Packaging Information

**44J**, 44-Lead. Plastic J-Leaded Chip Carrier (PLCC)  
 Dimensions in Inches and (Millimeters)  
 JEDEC STANDARD MS-018 AC



**40V**, 40-Lead. Plastic Thin Small Outline Package (TSOP)  
 Dimensions in Millimeters and (Inches)  
 JEDEC OUTLINE MO-142 CA





## Atmel Headquarters

**Corporate Headquarters**  
2325 Orchard Parkway  
San Jose, CA 95131  
TEL (408) 441-0311  
FAX (408) 487-2600

### Europe

Atmel U.K., Ltd.  
Coliseum Business Centre  
Riverside Way  
Camberley, Surrey GU15 3YL  
England  
TEL (44) 1276-686677  
FAX (44) 1276-686697

### Asia

Atmel Asia, Ltd.  
Room 1219  
Chinachem Golden Plaza  
77 Mody Road  
Tsimshatsui East  
Kowloon, Hong Kong  
TEL (852) 27219778  
FAX (852) 27221369

### Japan

Atmel Japan K.K.  
Tonetsu Shinkawa Bldg., 9F  
1-24-8 Shinkawa  
Chuo-ku, Tokyo 104-0033  
Japan  
TEL (81) 3-3523-3551  
FAX (81) 3-3523-7581

## Atmel Operations

**Atmel Colorado Springs**  
1150 E. Cheyenne Mtn. Blvd.  
Colorado Springs, CO 80906  
TEL (719) 576-3300  
FAX (719) 540-1759

### Atmel Rousset

Zone Industrielle  
13106 Rousset Cedex, France  
TEL (33) 4 42 53 60 00  
FAX (33) 4 42 53 60 01

---

### ***Fax-on-Demand***

North America:  
1-(800) 292-8635  
International:  
1-(408) 441-0732

### ***e-mail***

[literature@atmel.com](mailto:literature@atmel.com)

### ***Web Site***

<http://www.atmel.com>

### ***BBS***

1-(408) 436-4309

### © Atmel Corporation 1998.

Atmel Corporation makes no warranty for the use of its products, other than those expressly contained in the Company's standard warranty which is detailed in Atmel's Terms and Conditions located on the Company's website. The Company assumes no responsibility for any errors which may appear in this document, reserves the right to change devices or specifications detailed herein at any time without notice, and does not make any commitment to update the information contained herein. No licenses to patents or other intellectual property of Atmel are granted by the Company in connection with the sale of Atmel products, expressly or by implication. Atmel's products are not authorized for use as critical components in life support devices or systems.

Marks bearing ® and/or ™ are registered trademarks and trademarks of Atmel Corporation.

Terms and product names in this document may be trademarks of others.



Printed on recycled paper.

0640B-10/98/xM