

Mini-Com® Surface Mount Boxes

PANDUIT®

SPECIFICATION SHEET

specifications

Surface Mount Boxes shall have a low profile design and be available in a variety of port densities. Boxes shall accept most Mini-Com® Modules for fiber, copper, and audio/video applications. The boxes shall mount with screws, adhesive, or optional magnets. The box covers include breakouts for use with surface raceway. Cable tie slots shall be included to provide strain relief on incoming cables. Select boxes shall include a cover with a quick release feature.



technical information

Mounting option:	Mounts easily with screws, adhesive tape or optional magnet
Material:	Box is made of ABS
UL rated:	UL 1863; UL 2043 for select products [^]

Compatible raceway, magnets, and packaging:

Part Number	Breakout Suitable for:	No. of Adhesive Strips	No. of Cable Ties	Label/Label Cover Included	Mounting Screws Included	Screw Cover Included	Magnet Pockets
CBXQ1**-A	LD3/LDPH3	1	1	No	No	No	1
CBXQ2**-A	LD3/LDPH3	2	1	Yes	No	Yes	1
	LD5/LDPH5						
CBXQ4**-A	LD3/LDPH3	2	2	Yes	No	Yes	2
	LD5/LDPH5						
	LD10/LDPH10						
CBXQ6**-A	LD3/LDPH3	2	2	Yes	No	Yes	2
	LD5/LDPH5						
	LD10/LDPH10						
CBX1**-A*	LD3/LDPH3	1	0	No	No	No	0
CBX2**-A	LD3/LDPH3	1	1	No	Yes	No	1
	LD5/LDPH5						
CBX4**-A	LD3/LDPH3	2	2	Yes	Yes	Yes	2
	LD5/LDPH5						

*Raceway does not enter box.

key features and benefits

Quick release cover	Can be removed by hand, does not require tool
Modular	Accepts most Mini-Com® Modules, for easy moves, adds, and changes
Low profile design	Smaller profile offers a less conspicuous look
Raceway breakouts	Compatible with specific raceway, conceals cable entering the box
Cover screw	Boxes with label pocket provide a screw that secures the cover to the base
Labels and label covers	Select boxes include a label pocket to meet TIA/EIA-606B labeling standards
Magnet pockets	Magnet can be used with magnet pocket for optional mounting (CBX1**-A does not include a magnet pocket); CBM-X for use with standard boxes
Shuttered feature	Achieved by installing jack modules with spring shuttered door
UL 2043	Select products [^] are suitable for installations in air handling spaces

applications

Mini-Com® Surface Mount Boxes offer a variety of mounting options, allowing Mini-Com® Modules to be mounted on a variety of surfaces, such as standard walls, metal surfaces, office furniture, etc. Surface mount boxes include breakouts compatible with Panduit's raceway system to conceal and allow cable to run into the box providing a point of connection for voice, video, and data applications.

Mini-Com® Blanks can be used to reserve space for future expansion.

Quick cover removal provides easy access for moves, adds and changes with the ability to secure cover to base if needed.

Select products[^] comply with UL 2043 making them suitable for air handling spaces.

Mini-Com® Surface Mount Boxes with Quick Release Cover

1-port:	CBXQ1*-A [^]
2-port:	CBXQ2*-A [^]
4-port:	CBXQ4*-A [^]
6-port:	CBXQ6*-A [^]

Elongated Surface Mount Boxes

One module space:	CBX1**-A [^]
Two module space:	CBX2**-AY [^]
Four module space:	CBX4**-AY

Accessories

Blank module: CMB**-X

Magnet (quick release boxes): CQBM-X

(elongated boxes): CBM-X

Category 5e, 6, and 6A couplers are not compatible with surface mount boxes.

*To designate color, add suffix
EI (Electric Ivory), IW (Off White),
WH (White).

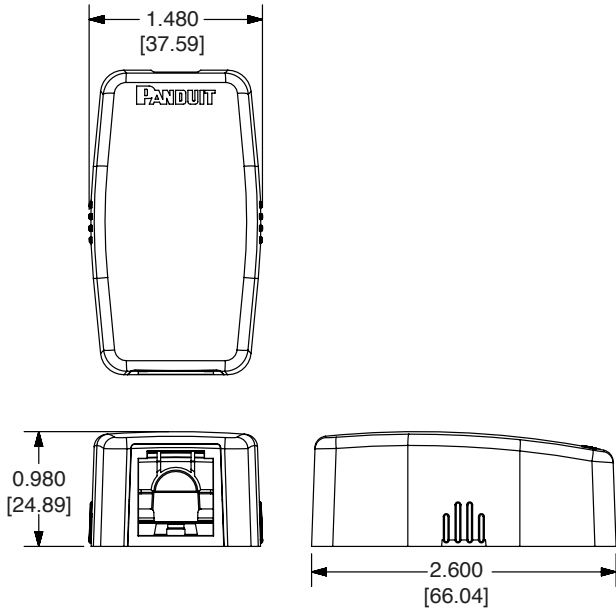
**To designate color, add suffix
EI (Electric Ivory), IW (Off White),
IG (International Gray), WH (White),
BL (Black), AW (Arctic White).

[^] Suitable for air handling spaces

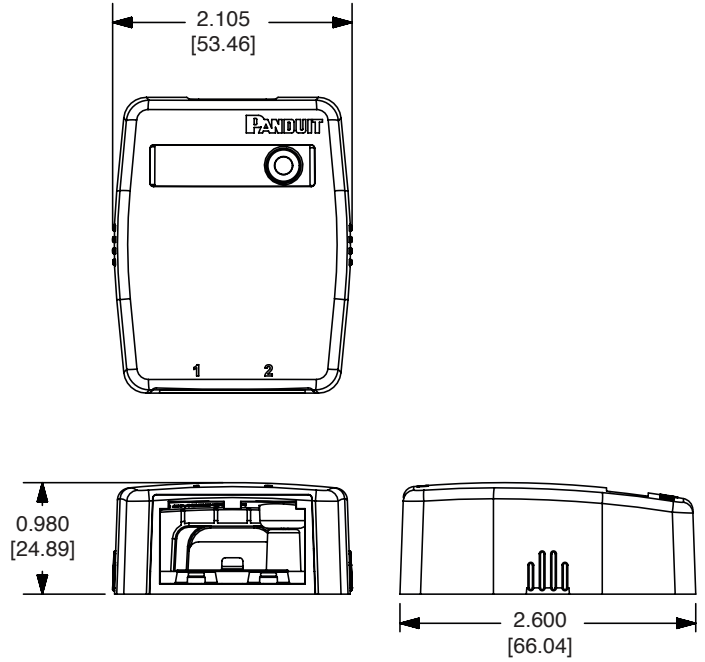
Mini-Com® Surface Mount Boxes

Mini-Com® Surface Mount Boxes with Quick Release Cover

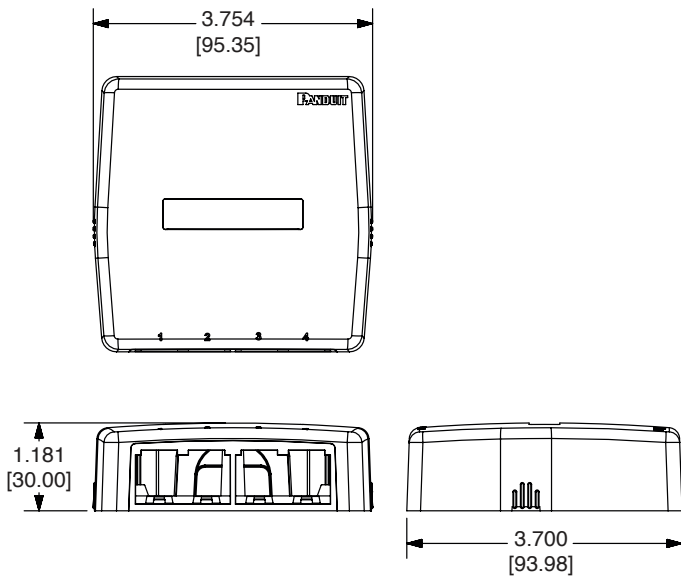
CBXQ1



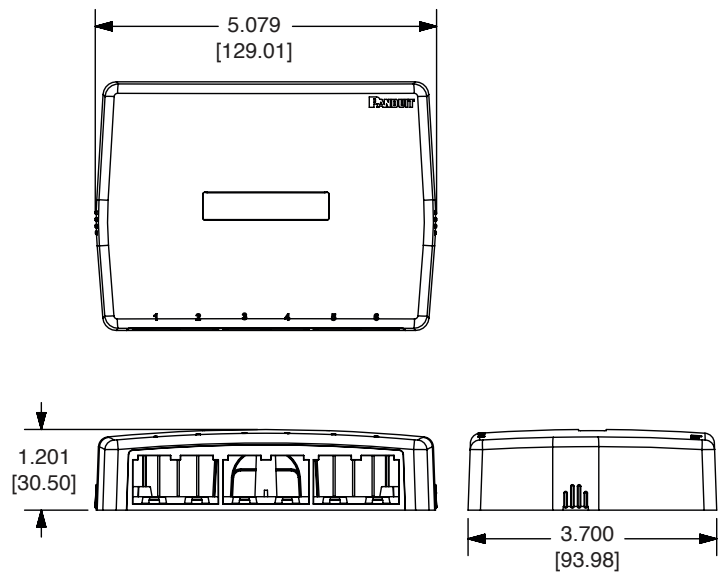
CBXQ2



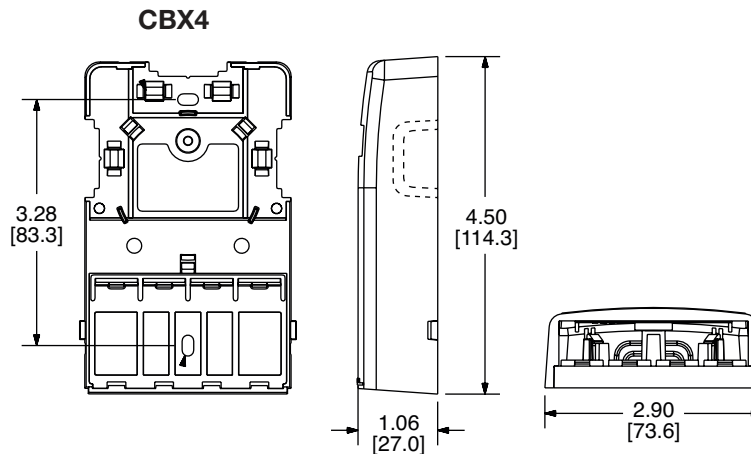
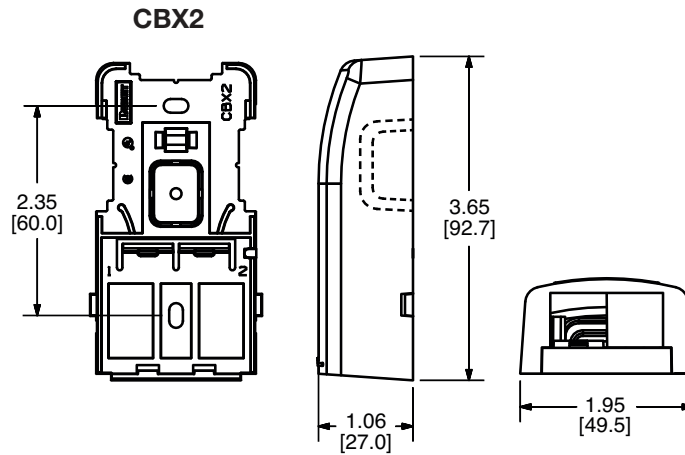
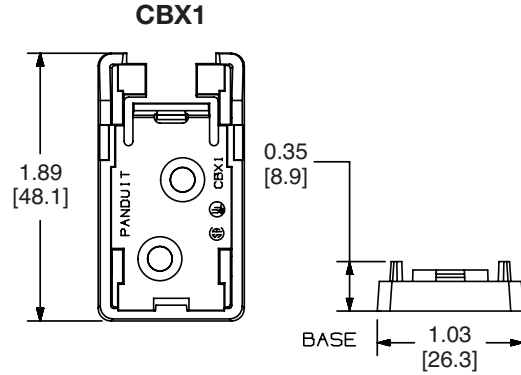
CBXQ4



CBXQ6



Mini-Com® Surface Mount Boxes



Dimensions are in inches. [Dimensions in brackets are metric].

WORLDWIDE SUBSIDIARIES AND SALES OFFICES

PANDUIT US/CANADA
Phone: 800.777.3300

PANDUIT EUROPE LTD.
London, UK
Phone: 44.20.8601.7200

PANDUIT SINGAPORE PTE. LTD.
Republic of Singapore
Phone: 65.6305.7575

PANDUIT JAPAN
Tokyo, Japan
Phone: 81.3.6863.6000

PANDUIT LATIN AMERICA
Guadalajara, Mexico
Phone: 52.33.3777.6000

PANDUIT AUSTRALIA PTY. LTD.
Victoria, Australia
Phone: 61.3.9794.9020

For a copy of Panduit product warranties, log on to www.panduit.com/warranty

For more information

Visit us at www.panduit.com

Contact Customer Service by email: cs@panduit.com
or by phone: 800.777.3300

PANDUIT®

© 2021 Panduit Corp.
ALL RIGHTS RESERVED.
OTSP27--WW-ENG
2/2021