

## Secure Serial to Ethernet Servers



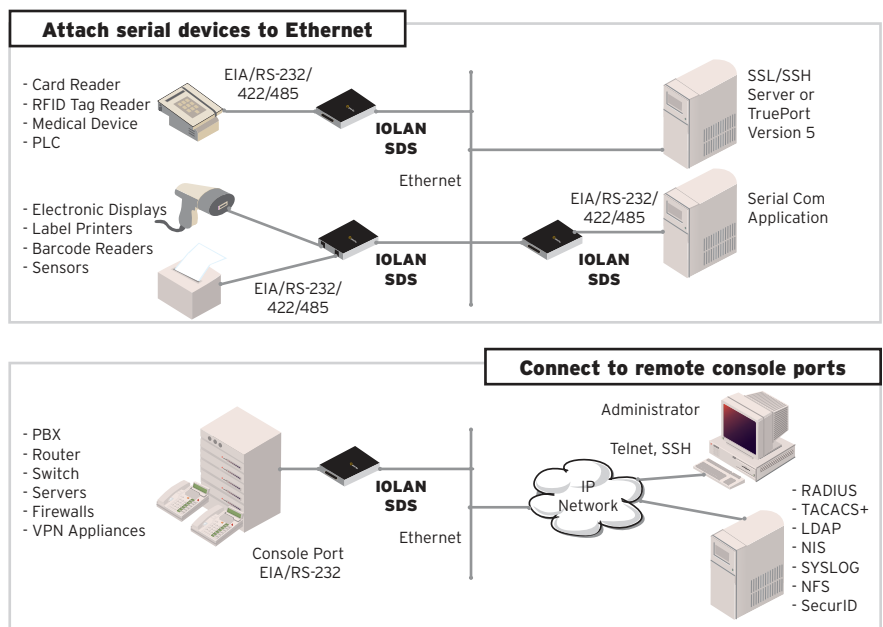
### Features and Benefits

- Software selectable EIA/RS-232/422/485
- AES, 3DES encryption over SSH or SSL sessions
- Next Generation IP support (IPv6) for investment protection and network compatibility
- High performance in a compact size
- Port buffering for data capture and analysis
- For console management applications, powerful authentication schemes prevent unauthorized access
- Protective solid steel enclosure
- Power over serial cable models
- DIN Rail mounting option for Industrial Automation applications
- RFC 2217
- Modbus to Modbus TCP
- Software Development Kit
- RoHS and WEEE compliant
- Perle Lifetime warranty for security and peace of mind

For serial to Ethernet connectivity applications, the IOLAN SDS line is the most advanced series of device servers available. Delivering high performance in a compact size, the IOLAN SDS offers extensive security, flexibility and next generation IP technology making it ideal for applications that require remote device/console management, data capture or monitoring.

### Secure Serial Connectivity

IOLAN SDS device servers enable administrators to securely access remote serial console ports on equipment such as PBX, servers, routers, network storage equipment and security appliances through an IP network. Sensitive data such as credit card holder information is protected through standard encryption tools such as Secure Shell (SSH) and Secure Sockets Layer (SSL).



### Advanced IP Technology

With support for Next Generation IP ( IPv6 ), the IOLAN SDS provides organizations with the investment protection today to meet the compatibility needs of networks tomorrow.

### Flexible and Reliable Serial to Ethernet Connections

The IOLAN SDS is ideal for connecting serial based COM port, UDP or TCP socket based applications to remote devices. Perle's TruePort V5 re-director provides fixed TTY or COM ports to serial based applications enabling communication with remote devices connected to Perle device servers either in encrypted or clear text modes. You can also tunnel serial data between devices across an IP network.

Perle's Device Management software provides better centralized control of multiple units resulting in maximum uptime for your remote equipment.

All IOLAN SDS models have added protection against electrostatic discharges and power surges with robust 15Kv ESD protection circuitry enabling organizations to utilize this solution in the field with confidence.

### Class Leading Support and Warranty

The Perle IOLAN SDS is backed by the best service and support in the industry including Perle's unique lifetime warranty. Since 1976 Perle has been providing its customers with networking products that have the highest levels of performance, flexibility and quality.



## Technical Specifications

### Processor

- MPC852T, 66 Mhz, 87 MIPS

### Network/Ethernet

- 1 x 10/100Mb RJ45

### Protocols

- IPv6, IPv4, TCP/IP, Reverse SSH, SSH, SSL, CIDR, RIPv2/MD5, ARP, RARP, UDP, UDP Multicast, ICMP, BOOTP, DHCP, TFTP, SNMP, Telnet, raw, reverse Telnet, LPD, RCP, DNS, WINS, HTTP, HTTPS, SMTP, SNMPV3, PPP, PAP/CHAP, SLIP, CSLIP, Modbus/TCP, Modbus/RTU, Modbus/ASCII

### Security and Authentication

- SSHV1 and SSHV2
- SSL V3.0/TLS V1.0, SSL V2.0
- SSL Server and SSL client mode capability
- Encryption: AES (256/192/128), 3DES, DES, Blowfish, CAST128, ARCFOUR(RC4), ARCTWO(RC2)
- Hashing Algorithms: MD5, SHA-1, RIPEMD160, SHA1-96, and MD5-96
- Key exchange: RSA, EDH-RSA, EDH-DSS, ADH
- X.509 Certificate verification: RSA, DSA
- Certificate authority (CA) list
- Local database
- RADIUS Authentication and Accounting
- TACACS+, LDAP, NIS, Kerberos
- RSA SecureID-agent or via RADIUS
- IP Address filtering
- Disable unused daemons

### Management

- Web browser or secure web browser via https (SSL/TLS)
- Perle DeviceManager software to manage single or multiple device servers
- CLI – Telnet, SSH, shared console port
- IOLAN+ configuration mode
- SNMP, MIB II, Perle MIB, read and write capabilities
- SYSLOG
- Port Buffering – local or 3DES encrypted to NFS server

### Serial Port(s)

- Software selectable EIA-232/422/485
- Full modem and hardware flow control
- 50bps to 230Kbps for EIA-232
- up to 230Kbps for EIA-422/485
- 1 port DB25M, DB25F, DB9M or RJ45 connectors
- 2/4 ports - RJ45 10pin connectors
- SUN Break Safe
- Full bidirectional modem support
- 15Kv ESD protection on all signals

### Interface Modes

- EIA-232 full duplex
- EIA-422 full duplex
- EIA-485 4 wire, full duplex
- EIA-485 2 wire, half duplex, with echo
- EIA-485 2 wire, half duplex, without echo

### Indicators

- Power/Ready
- Network Link activity
- Serial: Transmit and Receive data LEDs

### Dimensions, Weight

#### - 1/2 Ports

- Dimension (L x W x H)  
9.0 x 6.4 x 2.3 (cm), 3.5 x 2.5 x 0.9 (in)  
Weight – 0.22 kg (0.50 lbs)

#### - 4 ports

- Dimension (L x W x H)  
11.3 x 8.1 x 2.8 (cm), 4.4 x 3.2 x 1.1 (in)  
Weight – 0.34 kg (0.75 lbs)

### Power

- 120 VAC (USA)
- 100-240 VAC (International)  
*External power adapter included with North American and International models*
- Power via External power 9-30V DC, 1/2 port 4.8 Watts – standard barrel socket  
4 port 10 Watts – standard barrel socket
- IOLAN SDS over serial cable (9-30VDC)
- Power peripheral devices from serial port (1W)

### Fixed TTY/COM Port Emulation Software

- TruePort

### Environmental

- Operating temperature:  
0°C to 55°C, 32°F to 131°F
- Storage temperature:  
-40°C to 66°C, -40°F to 150°F

### Approvals

- FCC Part 15A, CE, CAN/CSA 22.2, UL 60950, EN 55022 Class A, EN 55024 Class A

### Warranty

- Limited lifetime warranty

Model	Features								Part Number		
	Ethernet	Serial Ports	Interface Type	Serial Connector	AC Adapter incl.	9-30V DC	Power From Serial	Power Serial Device	USA	Europe	UK
IOLAN SDS1	10/100	1	EIA-232/422/485	DB25M	•	•	•	•	04030024	04030022	04030021
IOLAN SDS1	10/100	1	EIA-232/422/485	RJ45	•	•	•	•	04030144	04030142	04030141
IOLAN SDS1	10/100	1	EIA-232/422/485	DB25F	•	•	•	•	04030164	04030162	04030161
IOLAN SDS1	10/100	1	EIA-232/422/485	DB9M	•	•	•	•	04030154	04030152	04030151
IOLAN SDS1 (Bulk)	10/100	1	EIA-232/422/485	DB25M	•	•	•	•	04030040	04030040	04030040
IOLAN SDS2	10/100	2	EIA-232/422/485	RJ45-10	•	•	•	•	04030104	04030102	04030101
IOLAN SDS4	10/100	4	EIA-232/422/485	RJ45-10	•	•	•	•	04030304	04030302	04030301



[www.perle.com](http://www.perle.com)

Perle products are constantly reviewed and updated to meet customers' needs, as such specifications and capabilities are subject to change without notice. We endeavor to keep product descriptions as current as possible; for the latest up-to-date information, please visit our web site at [www.perle.com](http://www.perle.com). Perle is a registered trademark of Perle Systems. All other product names are trademarks of their respective holders. Copyright©Perle.