

4

3

2

1

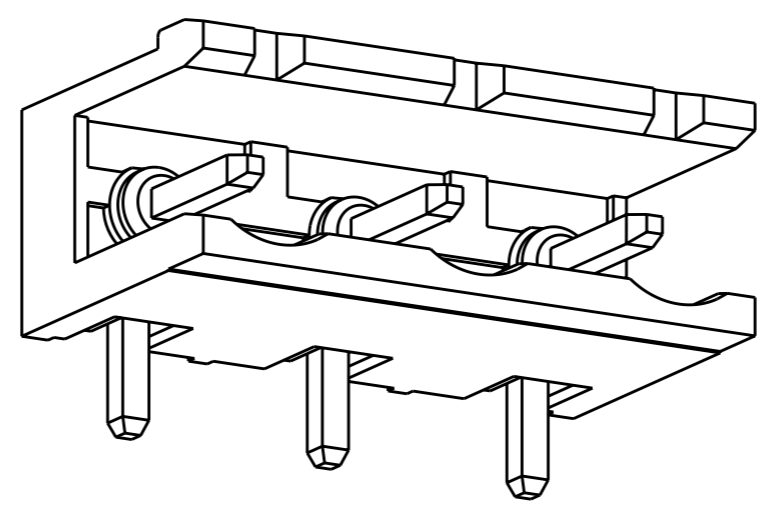
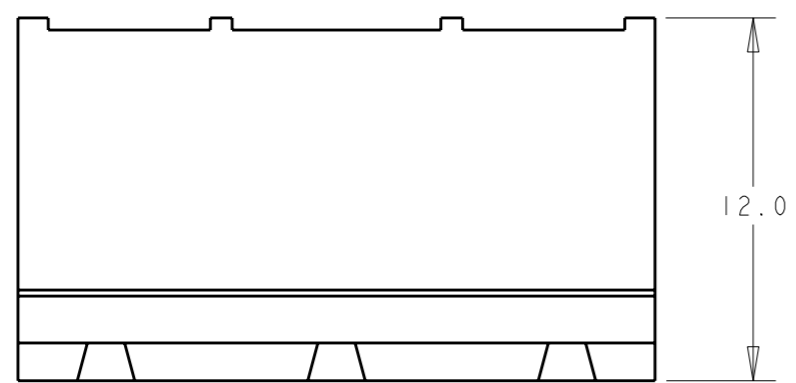
THIS DRAWING IS UNPUBLISHED. RELEASED FOR PUBLICATION 20

© COPYRIGHT 20 Tyco Electronics AMP GmbH ALL RIGHTS RESERVED.

LOC FT DIST 0

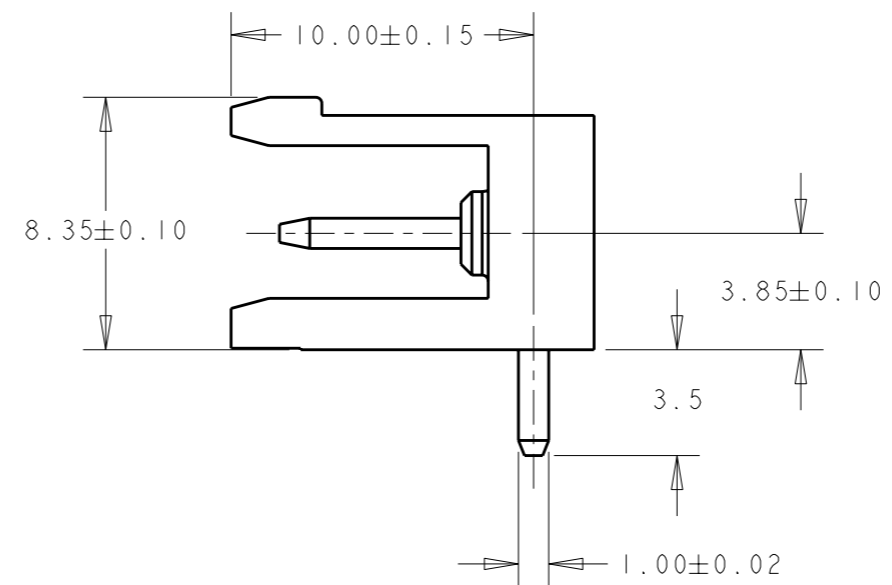
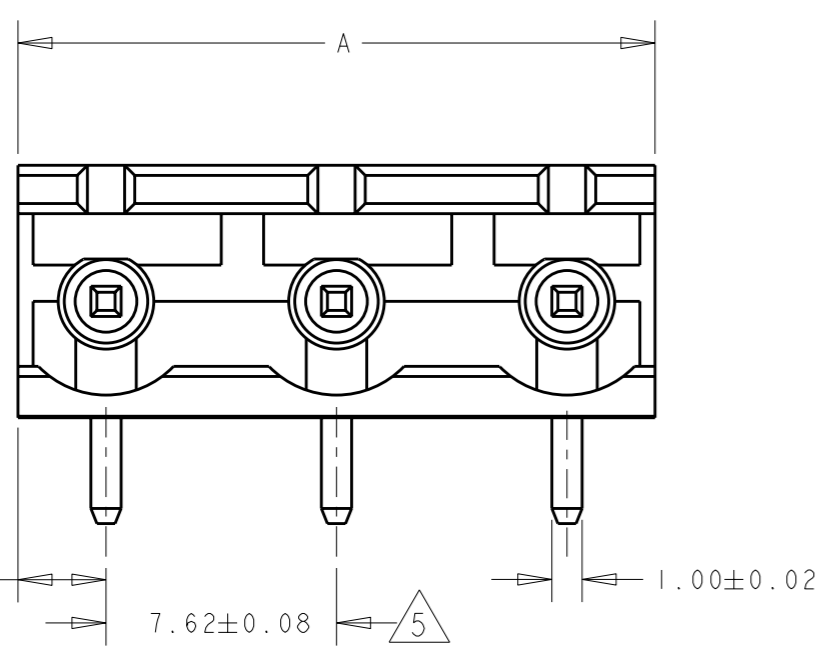
REVISIONS

| P | LTR | DESCRIPTION | DATE | DWN | APVD |
|---|-----|---------------------------|-----------|-----|------|
| | C1 | REVISED PER ECO-12-007964 | 02MAY2012 | KH | MS |



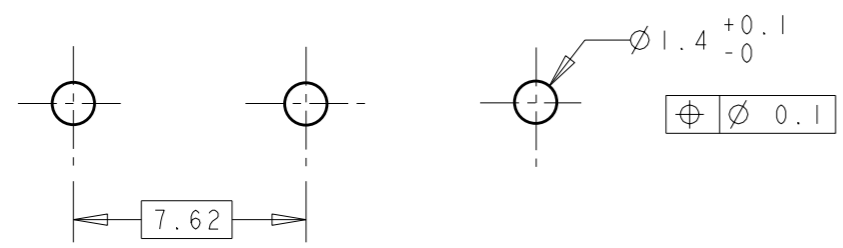
282965-3 AS SHOWN

- 1 MATERIALS AND FINISH
HOUSING: PA 6-6, UL 94-V0, COLOR GREEN.
TERMINAL: COPPER ALLOY, TIN PLATED.
- 2 SUITABLE FOR 1,6-2,4mm PC BOARD THICKNESS.
- 3 RECOGNIZED UNDER THE COMPONENT PROGRAM OF UNDERWRITERS LABORATORIES INC., FILE N° E60677.
- 4 IMQ CERTIFICATE WITH SURVEILLANCE IN CONFORMITY WITH IEC 998-1/998-2-1.
- 5 NOT CUMULATIVE TOLERANCE.



| 89.64 | 12 | 1-282965-2 |
|--------|------------|-------------|
| 82.02 | 11 | 1-282965-1 |
| 74.40 | 10 | 1-282965-0 |
| 66.78 | 9 | 282965-9 |
| 59.16 | 8 | 282965-8 |
| 51.54 | 7 | 282965-7 |
| 43.92 | 6 | 282965-6 |
| 36.30 | 5 | 282965-5 |
| 28.68 | 4 | 282965-4 |
| 21.06 | 3 | 282965-3 |
| 13.44 | 2 | 282965-2 |
| DIM. A | N° OF POS. | PART NUMBER |

RECOMMENDED PC BOARD LAYOUT



| | | | | |
|--|--|-----------------------------|--------------------------------|------------------|
| THIS DRAWING IS A CONTROLLED DOCUMENT. | | DWN E. ZANOLINI 09OCT2001 | TE Connectivity | |
| DIMENSIONS: mm | | CHK D. BIEVENOUR 09OCT2001 | | |
| TOLERANCES UNLESS OTHERWISE SPECIFIED: | | APVD D. BIEVENOUR 09OCT2001 | NAME | |
| 0 PLC ±.3 | | PRODUCT SPEC 108-20166 | TERMINAL BLOCK HEADER ASSEMBLY | |
| 1 PLC ±.3 | | APPLICATION SPEC 114-20079 | 90 DEGREE, OPEN ENDS | |
| 2 PLC ±.25 | | WEIGHT - | SIZE A3 | CAGE CODE 000779 |
| 3 PLC ±. | | CUSTOMER DRAWING | DRAWING NO C-282965 | RESTRICTED TO - |
| 4 PLC ±. | | | SCALE 4:1 | SHEET 1 OF 1 |
| ANGLES ±.2 | | | | |
| FINISH | | | | |