

注記 NOTES:

- ① 材料及び仕上げ (めっき仕様) : TABLE 1, TABLE 2 参照
MATERIAL AND FINISHES (PLATING SPECIFICATION) : SEE TABLE 1, TABLE 2.
- ② 嵌合相手 : 505565シリーズ
MATE WITH: 505565 SERIES
- ③ 偶数極 に適用
APPLY TO EVEN CIRCUIT.
- ④ 製品仕様書 : 5055650002 PS 000
PRODUCT SPECIFICATION: 5055650002 PS 000
- ⑤ 発注番号 : SHEET 5 参照
ORDER NUMBER : PLEASE REFER TO SHEET 5

505568 ***

極数
CIRCUIT SIZE

番号 NO.	接点部 金めっき厚 CONTACT GOLD PLATING THICKNESS [MICROMETER MINIMUM]
8	0.1
3	0.38
5	0.76

番号 NO.	ハウジングカラー HOUSING COLOR
0	ナチュラル(ベージュ) NATURAL (BEIGE)
1	黒 BLACK
2	赤 RED
3	黄 YELLOW
4	青 BLUE
6	緑 GREEN
8	橙 ORANGE

- 6. ターミナルとネイルの平坦度は0.1mm以下
TERMINAL AND NAIL COPLANARITY : 0.1mm MAXIMUM.
- 7. コネクタ取扱説明書 : 5055650000-AS PS 000
APPLICATION SPECIFICATION: 5055650000-AS PS 000

奇数キャビティ : キャビティ番号及び金型番号
偶数キャビティ : トレードマーク
ODD CAVITY: CAVITY AND MOLD NUMBER
EVEN CAVITY: TRADE MARK

奇数キャビティ : トレードマーク
偶数キャビティ : キャビティ番号及び金型番号
ODD CAVITY: TRADE MARK
EVEN CAVITY: CAVITY AND MOLD NUMBER

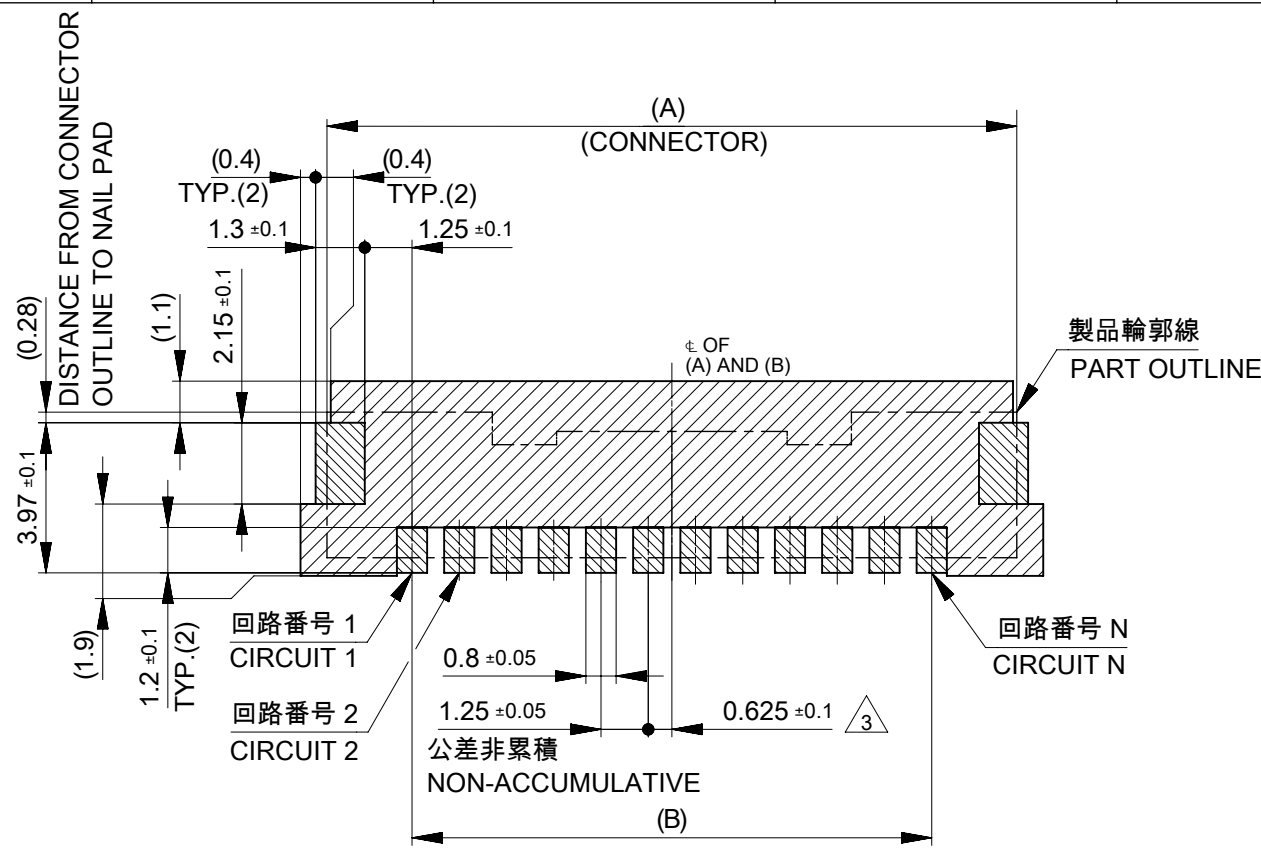
① TABLE 1

番号 NO.	部品 PART	材質 MATERIAL
①	ハウジング HOUSING	ポリアミド(PA), ガラス充填, UL94 V-0, 色 : SHEET 5参照 POLYAMIDE (PA), GLASS FILLED, UL94 V-0, COLOR: SEE SHEET 5
②	ターミナル TERMINAL	黄銅 BRASS
		接点部 : 金めっき めっき厚は注記5参照 CONTACT : GOLD PLATING PLATING THICKNESS : SEE NOTE 5.
		ニッケルめっき(下地めっき) : 1.0 MICROMETER MINIMUM NICKEL PLATING (UNDER PLATING)
③	ネイル NAIL	黄銅 BRASS
		錫めっき : 1.0 MICROMETER MINIMUM MATTE TIN PLATING
		ニッケルめっき(下地めっき) : 1.0 MICROMETER MINIMUM NICKEL PLATING (UNDER PLATING)
④	カバーテープ COVER TAPE	ポリイミド POLYIMIDE

49.4	45.4	20.2	44±0.3	12	22.2	18.75	23.25	16
					20.95	17.5	22	15
					19.7	16.25	20.75	14
37.4	33.4	14.2	32±0.3	10	18.45	15	19.5	13
					17.2	13.75	18.25	12
					15.95	12.5	17	11
29.4	25.4	11.5	24 ^{+0.3} _{-0.1}	8	14.7	11.25	15.75	10
					13.45	10	14.5	9
					12.2	8.75	13.25	8
21.4	17.4	7.5	16 ^{+0.3} _{-0.1}	7	10.95	7.5	12	7
					9.7	6.25	10.75	6
					8.45	5	9.5	5
H	G	F	E	D	7.2	3.75	8.25	4
					5.95	2.5	7	3
					C	B	A	極数 CIRCUIT SIZE
					4.7	1.25	5.75	2

THIS DRAWING CONTAINS INFORMATION THAT IS PROPRIETARY TO MOLEX ELECTRONIC TECHNOLOGIES, LLC AND SHOULD NOT BE USED WITHOUT WRITTEN PERMISSION

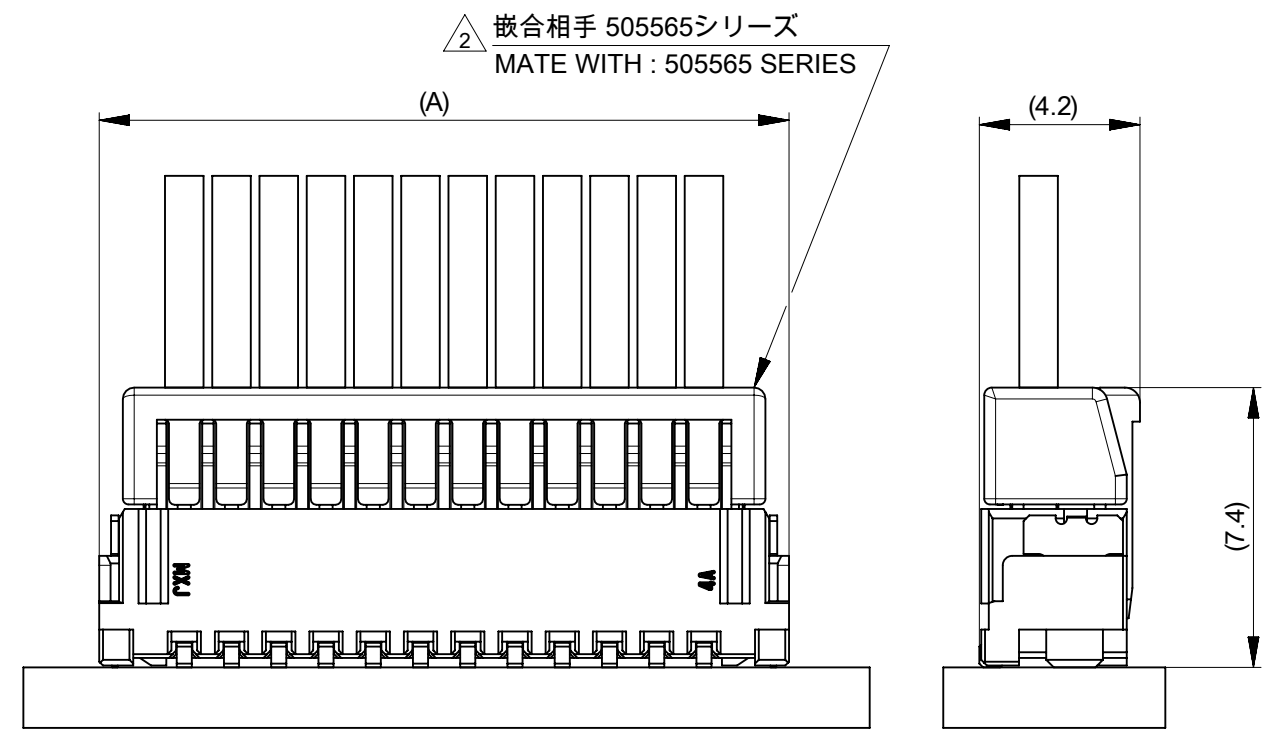
DIMENSION UNITS mm	SCALE NTS	CURRENT REV DESC:		molex				
GENERAL TOLERANCES (UNLESS SPECIFIED)		EC NO: 736271						MICRO-LOCK PLUS 1.25 W/B SINGLE ROW VERTICAL SMT PLUG ASSEMBLY GOLD PLATING
ANGULAR TOL ± 3.0°		DRWN: SOKUMURA01 2022/12/27		PRODUCT CUSTOMER DRAWING				
4 PLACES ± 0.2		CHK'D: SAKIYAMA 2023/02/16						DOCUMENT NUMBER 5055680010-SD
3 PLACES ± 0.2		APPR: AIDA 2023/02/16		DOC TYPE PSD				
2 PLACES ± 0.2		INITIAL REVISION:						DOC PART 000
1 PLACE ± 0.2		DRWN: RWATANABE01 2017/11/28		REVISION D				
0 PLACES ± 0.2		APPR: TKANEKO 2017/12/06						SHEET NUMBER 1 OF 5
DRAFT WHERE APPLICABLE MUST REMAIN WITHIN DIMENSIONS		THIRD ANGLE PROJECTION	DRAWING A3-SIZE	SERIES 505568	MATERIAL NUMBER SEE SHEET 5	CUSTOMER GENERAL		



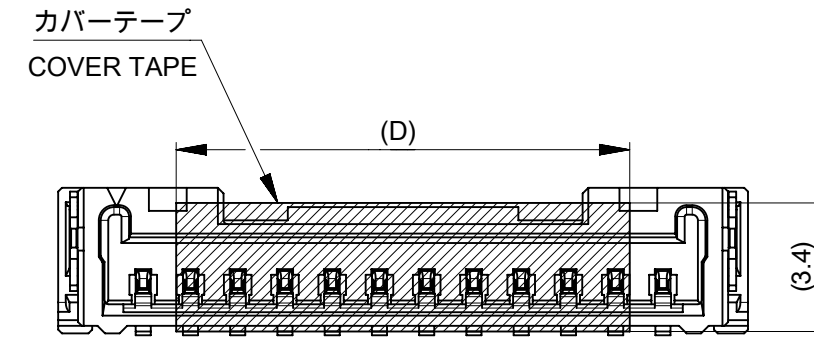
**推奨基板レイアウト
RECOMMENDED PCB PATTERN LAYOUT**

(参考: 基板厚1.6mm, メタルマスク厚さ 0.15mm, マスク開口率 100%)
(REFERENCE: PCB THICKNESS 1.6mm, STENCIL THICKNESS 0.15mm, APERTURE RATIO 100%)

パターン非推奨エリア
パターンを引き回す際は、製品機能に影響がないことをご確認ください。
PATTERN IS NOT RECOMMENDED ON THE HATCHING AREA
PLEASE CHECK NOT TO HAVE PROBLEM FOR PRODUCT FUNCTION
WHEN SETTING PATTERN ON THE HATCHING AREA.



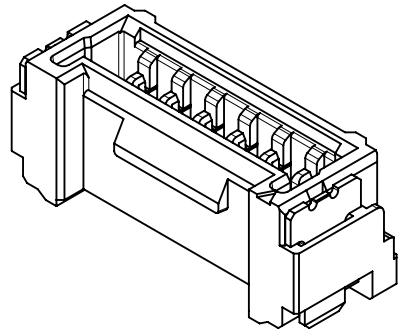
**嵌合状態図
MATED CONNECTORS**



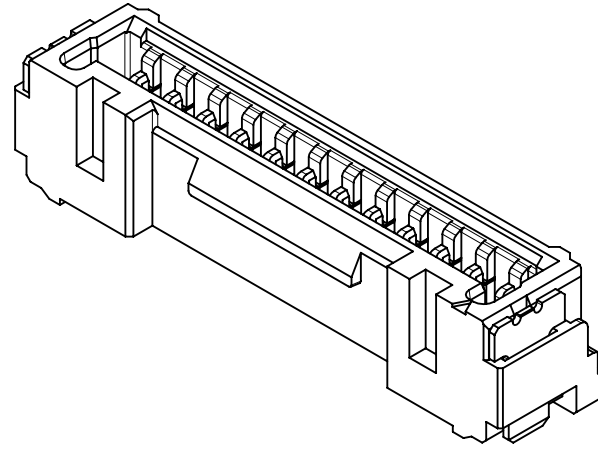
**吸着範囲
SUCTION AREA**

THIS DRAWING CONTAINS INFORMATION THAT IS PROPRIETARY TO MOLEX ELECTRONIC TECHNOLOGIES, LLC AND SHOULD NOT BE USED WITHOUT WRITTEN PERMISSION									
DIMENSION UNITS mm		SCALE NTS		CURRENT REV DESC:					
GENERAL TOLERANCES (UNLESS SPECIFIED)				<p>molex</p> <p>MICRO-LOCK PLUS 1.25 W/B SINGLE ROW VERTICAL SMT PLUG ASSEMBLY GOLD PLATING</p> <p>PRODUCT CUSTOMER DRAWING</p>					
ANGULAR TOL		± 3.0 °							
4 PLACES		± 0.2							
3 PLACES		± 0.2							
2 PLACES		± 0.2							
1 PLACE		± 0.2		EC NO: 736271		2022/12/27		DRWN: SOKUMURA01	
0 PLACES		± 0.2		CHK'D: SAKIYAMA		2023/02/16		APPR: AIDA	
DRAFT WHERE APPLICABLE MUST REMAIN WITHIN DIMENSIONS				THIRD ANGLE PROJECTION		DRAWING		SERIES	
A3-SIZE		505568		MATERIAL NUMBER		CUSTOMER		SHEET NUMBER	
SEE SHEET 5		GENERAL		5055680010-SD		PSD 000 D		2 OF 5	

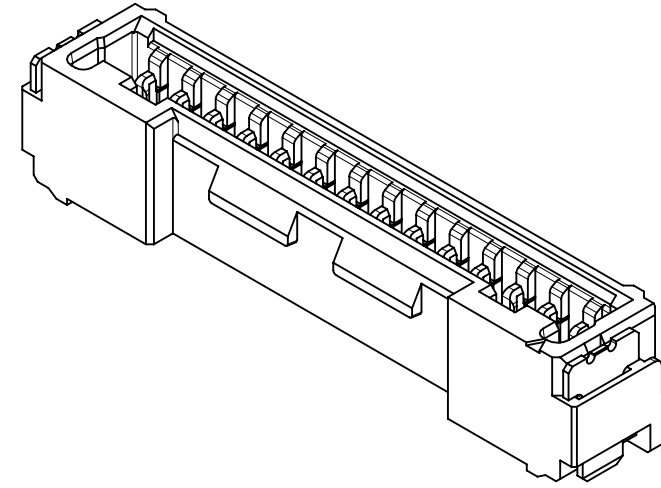
製品形状
PRODUCT SHAPE



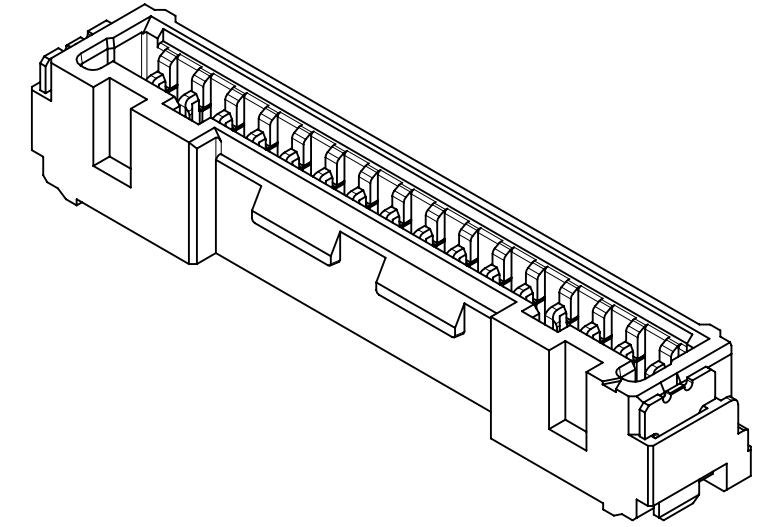
2-11極
2-11 CIRCUIT



12-13極
12-13 CIRCUIT



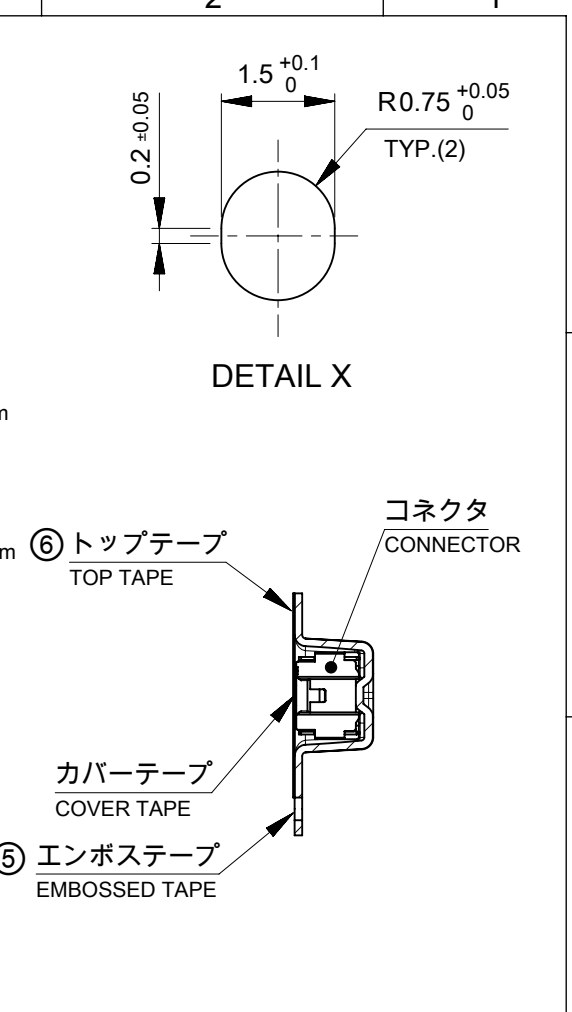
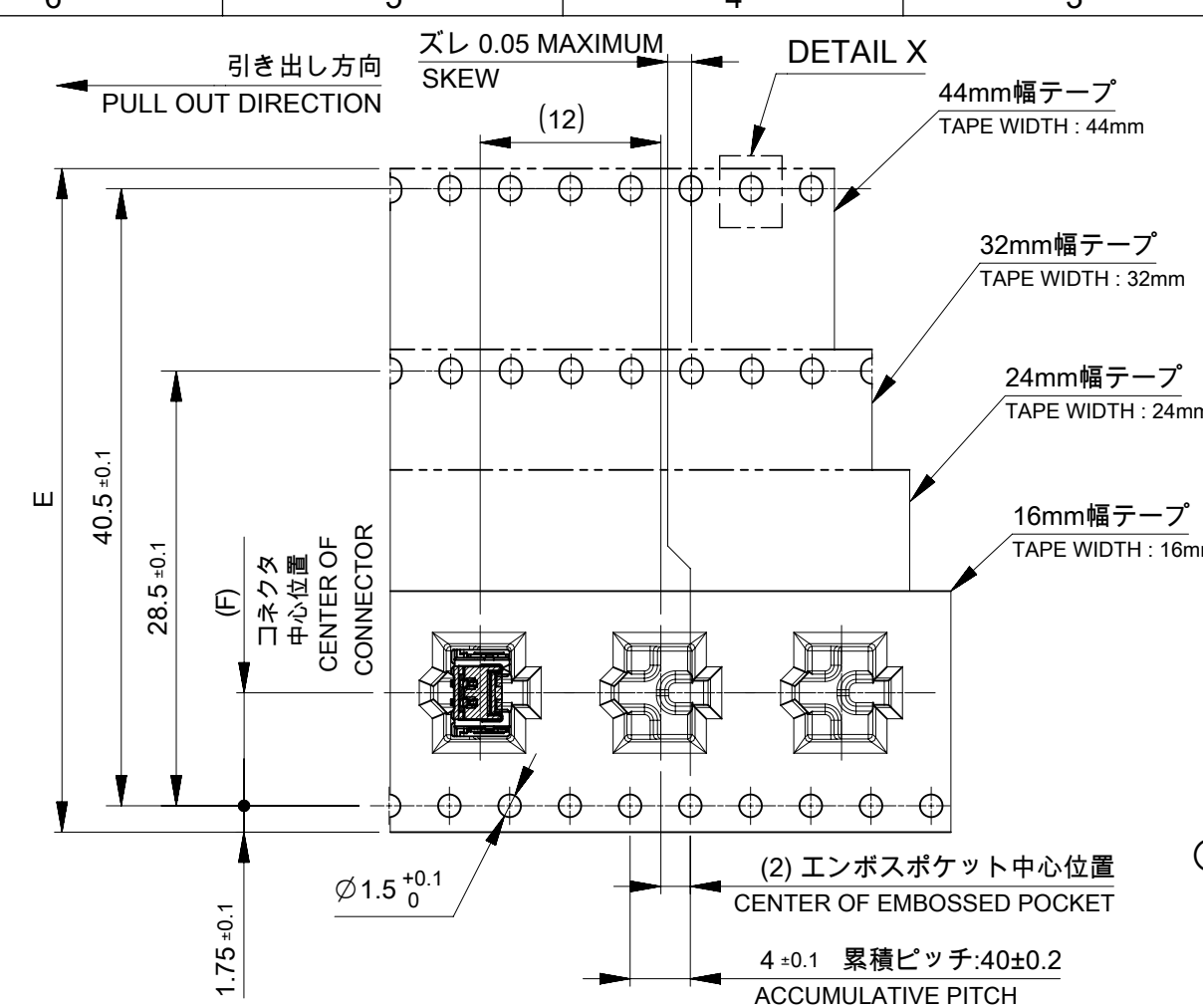
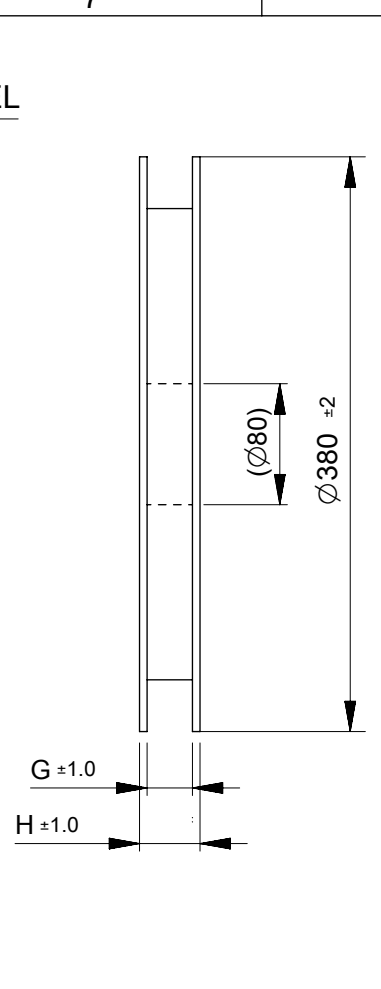
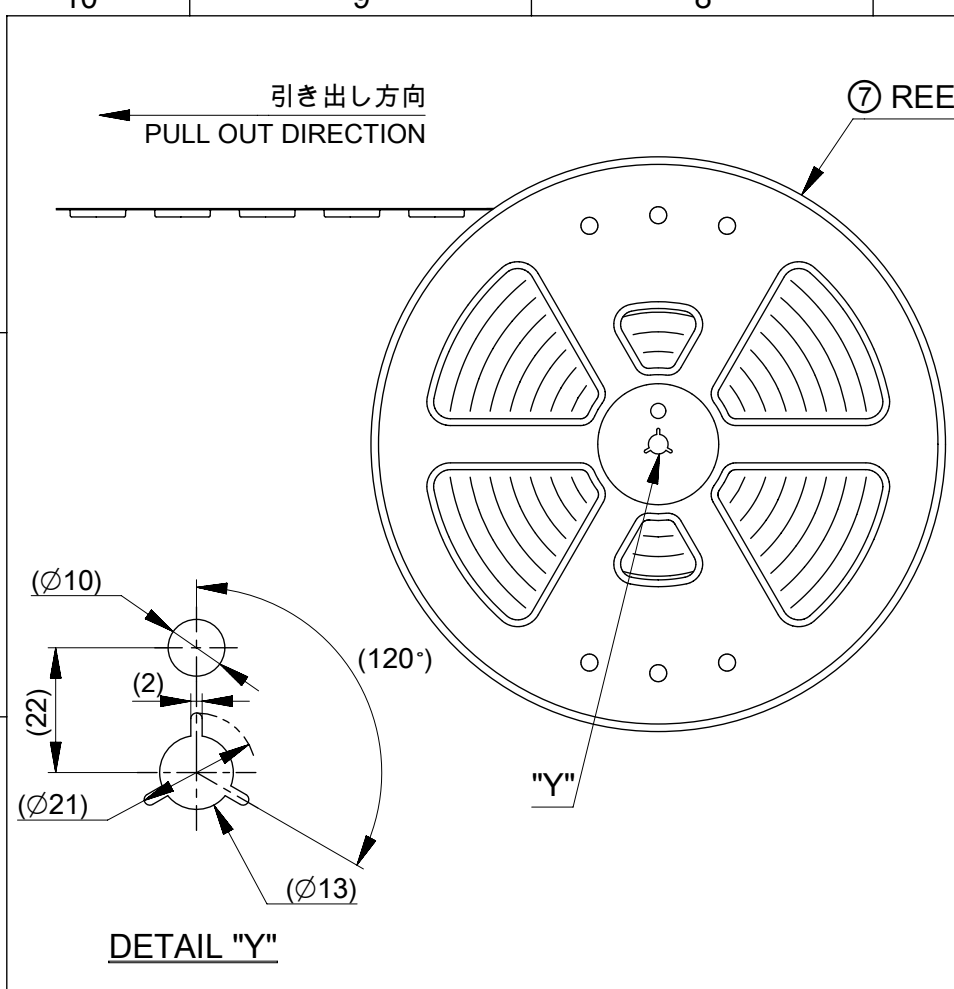
14極
14 CIRCUIT



15-16極
15-16 CIRCUIT

THIS DRAWING CONTAINS INFORMATION THAT IS PROPRIETARY TO MOLEX ELECTRONIC TECHNOLOGIES, LLC AND SHOULD NOT BE USED WITHOUT WRITTEN PERMISSION									
DIMENSION UNITS		SCALE		CURRENT REV DESC:					
mm		NTS							
GENERAL TOLERANCES (UNLESS SPECIFIED)				EC NO: 736271				MICRO-LOCK PLUS 1.25 W/B SINGLE ROW VERTICAL SMT PLUG ASSEMBLY GOLD PLATING	
ANGULAR TOL ± 3.0 °				DRWN: SOKUMURA01 2022/12/27					
4 PLACES ± 0.2				CHK'D: SAKIYAMA 2023/02/16				PRODUCT CUSTOMER DRAWING	
3 PLACES ± 0.2				APPR: AIDA 2023/02/16					
2 PLACES ± 0.2				INITIAL REVISION:				DOCUMENT NUMBER	
1 PLACE ± 0.2				DRWN: RWATANABE01 2017/11/28				5055680010-SD	
0 PLACES ± 0.2				APPR: TKANEKO 2017/12/06				PSD 000 D	
DRAFT WHERE APPLICABLE MUST REMAIN WITHIN DIMENSIONS		THIRD ANGLE PROJECTION		DRAWING		SERIES		MATERIAL NUMBER	
				A3-SIZE		505568		SEE SHEET 5	
						CUSTOMER		SHEET NUMBER	
						GENERAL		3 OF 5	

DOCUMENT STATUS	P1	RELEASE DATE	2023/02/16	15:22:45
-----------------	----	--------------	------------	----------



注記 NOTES

- 8. 梱包数量 : 1200個 / リール
NUMBER OF CONNECTORS : 1200 PCS/REEL.
 - 9. リードテープ長さ
LEAD TAPE LENGTH.
-
- 10. トップテープの剥離強度はIEC60286-3に準拠
TOP TAPE PEELING FORCE IS DEFINED BY IEC60286-3
 - 11. 梱包仕様書 : 5055689200 PS 200
PACKING SPECIFICATION : 5055689200 PS 200

TABLE 2

番号 NO.	部品 PART	材質 MATERIAL
⑤	エンボステープ EMBOSSSED TAPE	ポリスチレン(PS) POLYSTYRENE(PS)
⑥	トップテープ TOP TAPE	ポリエチレン(PE), その他 POLYETHYLENE(PE), ETC
⑦	リール REEL	ポリスチレン(PS) <リサイクル材を含む> POLYSTYRENE(PS) < RECYCLE MATERIAL CONTAINED >

THIS DRAWING CONTAINS INFORMATION THAT IS PROPRIETARY TO MOLEX ELECTRONIC TECHNOLOGIES, LLC AND SHOULD NOT BE USED WITHOUT WRITTEN PERMISSION

DIMENSION UNITS mm	SCALE NTS	CURRENT REV DESC:	
GENERAL TOLERANCES (UNLESS SPECIFIED)		<p>molex</p> <p>MICRO-LOCK PLUS 1.25 W/B SINGLE ROW VERTICAL SMT PLUG ASSEMBLY GOLD PLATING</p> <p>PRODUCT CUSTOMER DRAWING</p>	
ANGULAR TOL	± 3.0 °		
4 PLACES	± 0.2		
3 PLACES	± 0.2		
2 PLACES	± 0.2		
1 PLACE	± 0.2	EC NO: 736271 DRWN: SOKUMURA01 2022/12/27 CHK'D: SAKIYAMA 2023/02/16 APPR: AIDA 2023/02/16	
0 PLACES	± 0.2	INITIAL REVISION: DRWN: RWATANABE01 2017/11/28 APPR: TKANEKO 2017/12/06	
DRAFT WHERE APPLICABLE MUST REMAIN WITHIN DIMENSIONS		THIRD ANGLE PROJECTION	DRAWING
		SERIES	MATERIAL NUMBER
		A3-SIZE	505568
		CUSTOMER	5055680010-SD
		DOC TYPE	PSD
		DOC PART	000
		REVISION	D
		SHEET NUMBER	
		4 OF 5	

△ 505568**8* 発注番号一覧 ORDER NUMBER LIST


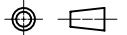
ORANGE	GREEN	BLUE	YELLOW	RED	BLACK	NATURAL (BEIGE)	HOUSING COLOR
5055681688	5055681686	5055681684	5055681683	5055681682	5055681681	5055681680	16
5055681588	5055681586	5055681584	5055681583	5055681582	5055681581	5055681580	15
5055681488	5055681486	5055681484	5055681483	5055681482	5055681481	5055681480	14
5055681388	5055681386	5055681384	5055681383	5055681382	5055681381	5055681380	13
5055681288	5055681286	5055681284	5055681283	5055681282	5055681281	5055681280	12
5055681188	5055681186	5055681184	5055681183	5055681182	5055681181	5055681180	11
5055681088	5055681086	5055681084	5055681083	5055681082	5055681081	5055681080	10
5055680988	5055680986	5055680984	5055680983	5055680982	5055680981	5055680980	9
5055680888	5055680886	5055680884	5055680883	5055680882	5055680881	5055680880	8
5055680788	5055680786	5055680784	5055680783	5055680782	5055680781	5055680780	7
5055680688	5055680686	5055680684	5055680683	5055680682	5055680681	5055680680	6
5055680588	5055680586	5055680584	5055680583	5055680582	5055680581	5055680580	5
5055680488	5055680486	5055680484	5055680483	5055680482	5055680481	5055680480	4
5055680388	5055680386	5055680384	5055680383	5055680382	5055680381	5055680380	3
5055680288	5055680286	5055680284	5055680283	5055680282	5055680281	5055680280	2
発注番号 : ORDER NUMBER							極数 CIRCUIT SIZE
梱包形態 : エンボステープ梱包 PACKAGING : EMBOSSED TAPE AND REEL							

△ 505568**5* 発注番号一覧 ORDER NUMBER LIST

ORANGE	GREEN	BLUE	YELLOW	RED	BLACK	NATURAL (BEIGE)	HOUSING COLOR
5055681658	5055681656	5055681654	5055681653	5055681652	5055681651	5055681650	16
5055681558	5055681556	5055681554	5055681553	5055681552	5055681551	5055681550	15
5055681458	5055681456	5055681454	5055681453	5055681452	5055681451	5055681450	14
5055681358	5055681356	5055681354	5055681353	5055681352	5055681351	5055681350	13
5055681258	5055681256	5055681254	5055681253	5055681252	5055681251	5055681250	12
5055681158	5055681156	5055681154	5055681153	5055681152	5055681151	5055681150	11
5055681058	5055681056	5055681054	5055681053	5055681052	5055681051	5055681050	10
5055680958	5055680956	5055680954	5055680953	5055680952	5055680951	5055680950	9
5055680858	5055680856	5055680854	5055680853	5055680852	5055680851	5055680850	8
5055680758	5055680756	5055680754	5055680753	5055680752	5055680751	5055680750	7
5055680658	5055680656	5055680654	5055680653	5055680652	5055680651	5055680650	6
5055680558	5055680556	5055680554	5055680553	5055680552	5055680551	5055680550	5
5055680458	5055680456	5055680454	5055680453	5055680452	5055680451	5055680450	4
5055680358	5055680356	5055680354	5055680353	5055680352	5055680351	5055680350	3
5055680258	5055680256	5055680254	5055680253	5055680252	5055680251	5055680250	2
発注番号 : ORDER NUMBER							極数 CIRCUIT SIZE
梱包形態 : エンボステープ梱包 PACKAGING : EMBOSSED TAPE AND REEL							

△ 505568**3* 発注番号一覧 ORDER NUMBER LIST

ORANGE	GREEN	BLUE	YELLOW	RED	BLACK	NATURAL (BEIGE)	HOUSING COLOR
5055681638	5055681636	5055681634	5055681633	5055681632	5055681631	5055681630	16
5055681538	5055681536	5055681534	5055681533	5055681532	5055681531	5055681530	15
5055681438	5055681436	5055681434	5055681433	5055681432	5055681431	5055681430	14
5055681338	5055681336	5055681334	5055681333	5055681332	5055681331	5055681330	13
5055681238	5055681236	5055681234	5055681233	5055681232	5055681231	5055681230	12
5055681138	5055681136	5055681134	5055681133	5055681132	5055681131	5055681130	11
5055681038	5055681036	5055681034	5055681033	5055681032	5055681031	5055681030	10
5055680938	5055680936	5055680934	5055680933	5055680932	5055680931	5055680930	9
5055680838	5055680836	5055680834	5055680833	5055680832	5055680831	5055680830	8
5055680738	5055680736	5055680734	5055680733	5055680732	5055680731	5055680730	7
5055680638	5055680636	5055680634	5055680633	5055680632	5055680631	5055680630	6
5055680538	5055680536	5055680534	5055680533	5055680532	5055680531	5055680530	5
5055680438	5055680436	5055680434	5055680433	5055680432	5055680431	5055680430	4
5055680338	5055680336	5055680334	5055680333	5055680332	5055680331	5055680330	3
5055680238	5055680236	5055680234	5055680233	5055680232	5055680231	5055680230	2
発注番号 : ORDER NUMBER							極数 CIRCUIT SIZE
梱包形態 : エンボステープ梱包 PACKAGING : EMBOSSED TAPE AND REEL							

THIS DRAWING CONTAINS INFORMATION THAT IS PROPRIETARY TO MOLEX ELECTRONIC TECHNOLOGIES, LLC AND SHOULD NOT BE USED WITHOUT WRITTEN PERMISSION													
DIMENSION UNITS		SCALE		CURRENT REV DESC:									
mm		NTS		 MICRO-LOCK PLUS 1.25 W/B SINGLE ROW VERTICAL SMT PLUG ASSEMBLY GOLD PLATING PRODUCT CUSTOMER DRAWING									
GENERAL TOLERANCES (UNLESS SPECIFIED)										EC NO: 736271		2022/12/27	
ANGULAR TOL		± 3.0 °								DRWN: SOKUMURA01		2023/02/16	
4 PLACES		± 0.2								CHK'D: SAKIYAMA		2023/02/16	
3 PLACES		± 0.2								APPR: AIDA		2023/02/16	
2 PLACES		± 0.2		INITIAL REVISION:				DOCUMENT NUMBER					
1 PLACE		± 0.2		DRWN: RWATANABE01				5055680010-SD					
0 PLACES		± 0.2		APPR: TKANEKO				PSD 000 D					
DRAFT WHERE APPLICABLE MUST REMAIN WITHIN DIMENSIONS				THIRD ANGLE PROJECTION		DRAWING		SHEET NUMBER					
						A3-SIZE		5 OF 5					