



Intel® 88CO196EC CHMOS 16-Bit Microcontroller

Datasheet

Product Features

- 256 Kbytes on-chip flash program memory
- 40 MHz operation
- Optional clock quadrupler
- Programmable clock output signal (CLKOUT)
- 2 Mbytes of linear address space
- 1.25 Kbytes of register RAM
- 2.75 Kbytes of code RAM
- Register-to-register architecture
- Stack overflow/underflow monitor with user-defined upper and lower stack pointer boundary limits
- Two peripheral interrupt handlers (PIHs) provide direct hardware handling of up to 45 interrupts
- Up to 59 I/O port pins
- Full-duplex serial port with dedicated baud-rate generator
- Enhanced synchronous serial I/O unit (SSIO)
- 16 10-bit A/D channels with auto-scan mode and dedicated results registers
- Controller area network (CAN) 2.0 networking protocol
- Serial debug unit provides read and write access to code RAM with no CPU overhead
- Chip-select unit (CSU)
 - Three chip-select pins
 - Dynamic demultiplexed/multiplexed address/data bus for each chip-select
 - Programmable wait states (0, 1, 2, or 3) for each chip-select
 - Programmable bus width (8- or 16-bit) for each chip-select
 - Programmable address range for each chip-select
- Event processor array (EPA)
 - Two flexible 16-bit timer/counters
 - Five high-speed capture/compare channels with a lock feature for noise filtering
 - 10 enhanced high-speed capture/compare channels with period and duty cycle measurement capability, as well as a lock feature for noise filtering
- Complete system development support
- Packaging
 - 132-pin PQFP
- Temperature Offerings
 - Commercial (0C - 70C)
 - Extended (-40C - 85C)

The Intel® 88CO196EC CHMOS 16-Bit Microcontroller is the first member of the MCS®96 family of microcontrollers to integrate flash memory on-chip. The Intel® 88CO196EC, with its integrated flash memory, brings a new level of integration that offers embedded system designers cost-effective solutions.



INFORMATION IN THIS DOCUMENT IS PROVIDED IN CONNECTION WITH INTEL® PRODUCTS. NO LICENSE, EXPRESS OR IMPLIED, BY ESTOPPEL OR OTHERWISE, TO ANY INTELLECTUAL PROPERTY RIGHTS IS GRANTED BY THIS DOCUMENT. EXCEPT AS PROVIDED IN INTEL'S TERMS AND CONDITIONS OF SALE FOR SUCH PRODUCTS, INTEL ASSUMES NO LIABILITY WHATSOEVER, AND INTEL DISCLAIMS ANY EXPRESS OR IMPLIED WARRANTY, RELATING TO SALE AND/OR USE OF INTEL PRODUCTS INCLUDING LIABILITY OR WARRANTIES RELATING TO FITNESS FOR A PARTICULAR PURPOSE, MERCHANTABILITY, OR INFRINGEMENT OF ANY PATENT, COPYRIGHT OR OTHER INTELLECTUAL PROPERTY RIGHT. Intel products are not intended for use in medical, life saving, life sustaining applications.

Intel may make changes to specifications and product descriptions at any time, without notice.

Designers must not rely on the absence or characteristics of any features or instructions marked "reserved" or "undefined." Intel reserves these for future definition and shall have no responsibility whatsoever for conflicts or incompatibilities arising from future changes to them.

The Intel® 88CO196EC CHMOS 16-Bit Microcontroller may contain design defects or errors known as errata which may cause the product to deviate from published specifications. Current characterized errata are available on request.

Contact your local Intel sales office or your distributor to obtain the latest specifications and before placing your product order.

Copies of documents which have an ordering number and are referenced in this document, or other Intel literature may be obtained by calling 1-800-548-4725 or by visiting Intel's website at <http://www.intel.com>.

AnyPoint, AppChoice, BoardWatch, BunnyPeople, CablePort, Celeron, Chips, CT Media, Dialogic, DM3, EtherExpress, ETOX, FlashFile, i386, i486, i960, iCOMP, InstantIP, Intel, Intel Centrino, Intel logo, Intel386, Intel486, Intel740, IntelDX2, IntelDX4, IntelSX2, Intel Create & Share, Intel GigaBlade, Intel InBusiness, Intel Inside, Intel Inside logo, Intel NetBurst, Intel NetMerge, Intel NetStructure, Intel Play, Intel Play logo, Intel SingleDriver, Intel SpeedStep, Intel StrataFlash, Intel TeamStation, Intel Xeon, Intel XScale, IPLink, Itanium, MCS, MMX, MMX logo, Optimizer logo, OverDrive, Paragon, PC Dads, PC Parents, PDCharm, Pentium, Pentium II Xeon, Pentium III Xeon, Performance at Your Command, RemoteExpress, SmartDie, Solutions960, Sound Mark, StorageExpress, The Computer Inside., The Journey Inside, TokenExpress, VoiceBrick, VTune, and Xircom are trademarks or registered trademarks of Intel Corporation or its subsidiaries in the United States and other countries.

*Other names and brands may be claimed as the property of others.

Copyright © February, 2004, Intel Corporation

Contents

1.0	Product Overview	7
1.1	Nomenclature Overview	8
2.0	Pinout	9
3.0	Signals.....	11
4.0	Address Map	21
5.0	Electrical Characteristics	23
5.1	DC Characteristics	23
6.0	Explanation of AC Symbols.....	25
6.1	AC Characteristics — Multiplexed Bus Mode.....	26
6.2	AC Characteristics — Demultiplexed Bus Mode	30
6.3	Deferred Bus Timing Mode	34
6.4	AC Characteristics — Serial Port, Mode 0	35
6.5	AC Characteristics — Synchronous Serial Port	36
6.6	AC Characteristics — Serial Debug Unit.....	37
6.7	A/D Sample and Conversion Times	38
6.7.1	AC Characteristics — A/D Converter, 10-Bit Mode.....	39
6.7.2	AC Characteristics — A/D Converter, 8-Bit Mode.....	40
6.8	External Clock Drive.....	41
6.9	Test Output Waveforms	42
6.10	Flash Memory Erase Performance.....	42
7.0	Thermal Characteristics	43

Figures

1	Intel® 88CO196EC CHMOS 16-Bit Microcontroller Block Diagram	7
2	Product Nomenclature.....	8
3	Intel® 88CO196EC CHMOS 16-Bit Microcontroller 132-Pin PQFP Package.....	9
4	System Bus Timing Diagram (Multiplexed Bus Mode)	28
5	READY Timing Diagram (Multiplexed Bus Mode).....	29
6	System Bus Timing Diagram (Demultiplexed Bus Mode)	32
7	READY Timing Diagram (Demultiplexed Bus Mode)	33
8	Deferred Bus Mode Timing Diagram.....	34
9	Serial Port Waveform — Mode.....	35
10	Synchronous Serial Port.....	36
11	Serial Debug Unit	37
12	External Clock Drive Waveforms.....	41
13	AC Testing Output Waveforms.....	42
14	Float Waveforms During 5.0 Volt Testing.....	42

Tables

1	Description of Product Nomenclature	8
2	Intel® 88CO196EC CHMOS 16-Bit Microcontroller 132-Pin PQFP Package Pin Assignments	10
3	Signal Descriptions	11
4	Intel® 88CO196EC CHMOS 16-Bit Microcontroller Address Map.....	21
5	DC Characteristics at $V_{CC} = 4.75\text{ V} - 5.25\text{ V}$	23
6	AC Timing Symbol Definitions.....	25
7	AC Characteristics, Multiplexed Bus Mode	26
8	AC Characteristics, Demultiplexed Bus Mode	30
9	Serial Port Timing — Mode 0 [†]	35
10	Synchronous Serial Port Timing.....	36
11	Serial Debug Unit Timing	37
12	10-bit A/D Operating Conditions	39
13	10-Bit Mode A/D Characteristics Over Specified Operating Conditions.....	39
14	8-Bit A/D Operating Conditions	40
15	8-Bit Mode A/D Characteristics Over Specified Operating Conditions.....	40
16	External Clock Drive.....	41
17	Flash Memory Erase Performance	42
18	Thermal Characteristics	43

Revision History

Date	Revision	Description
February 2004	001	Initial release
August 2004	002	To address the fact that many of the package prefix variables have changed, all package prefix variables in this document are now indicated with an "x".

1.1 Nomenclature Overview

Figure 2. Product Nomenclature

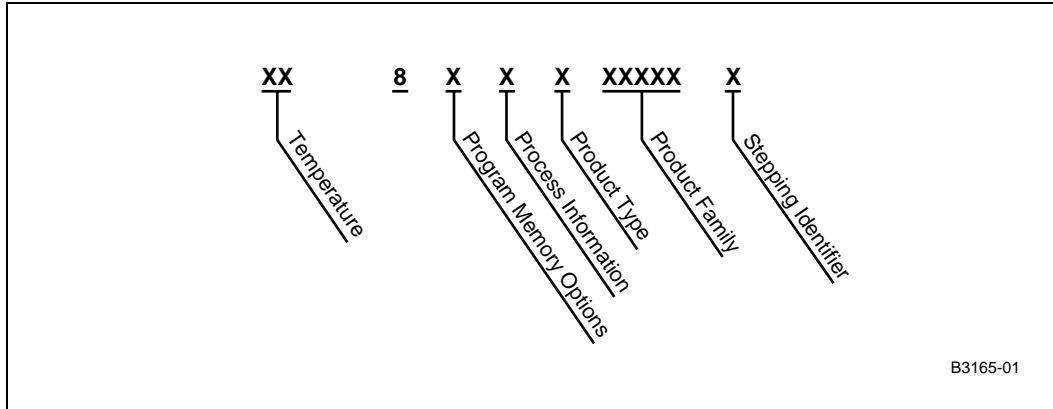


Table 1. Description of Product Nomenclature

Parameter	Options	Description
Temperature Options	x x	Commercial temperature range (0° C to 70° C case) Extended temperature range (-40° C to 85° C case)
Program-Memory	x	Internal flash memory
Process Information	C	CHMOS
Product Type	O	Standard Embedded Product
Product Family	196EC	
Device Speed	no mark	40 MHz

Table 2. Intel® 88CO196EC CHMOS 16-Bit Microcontroller 132-Pin PQFP Package Pin Assignments

Pin	Name	Pin	Name	Pin	Name
1	ACH7	45	P6.4/A20/PBUS20	89	P4.5/AD13/PBUS13
2	ACH8	46	P6.5/CS0#/PMODE0	90	P4.4/AD12/PBUS12
3	ACH9	47	P6.6/CS1#/PMODE1	91	P4.3/AD11/PBUS11
4	ANGND	48	P6.7/CS2#/PMODE2	92	P4.2/AD10/PBUS10
5	V _{REF}	49	V _{SS}	93	P4.1/AD9/PBUS9
6	V _{CC}	50	V _{CC}	94	P4.0/AD8/PBUS8
7	V _{SS}	51	P5.0/ALE/ADV#	95	P3.7/AD7/PBUS7
8	ACH10	52	P5.1/INST	96	P3.6/AD6/PBUS6
9	ACH11	53	P5.2/WR#/WRL#	97	P3.5/AD5/PBUS5
10	ACH12	54	P5.3/RD#	98	P3.4/AD4/PBUS4
11	ACH13	55	P5.4/BREQ#/TMODE0#	99	P3.3/AD3/PBUS3
12	ACH14	56	V _{SSPLL}	100	P3.2/AD2/PBUS2
13	ACH15	57	V _{CCPLL}	101	P3.1/AD1/PBUS1
14	V _{SS}	58	XTAL2	102	P3.0/AD0/PBUS0
15	V _{CC}	59	XTAL1	103	EA#
16	P8.0/EPAPWM8/BLK0#	60	V _{CC}	104	RESET#
17	P8.1/EPAPWM9/BLK1#	61	P5.5/BHE#/WRH#/TMODE1#	105	NMI
18	P8.2/EPA10/T1CLK/BLK2#	62	P5.6/READY	106	P9.7
19	P8.3/EPA11/T1RST/BLK3#	63	P5.7/RPD	107	P9.6
20	P8.4/EPA12/T2CLK	64	A10	108	P9.5/SD1
21	P8.5/EPA13/T2RST	65	A9	109	P9.4/SC1/CHS#
22	P8.6/EPA14	66	A8	110	P9.3/SD0
23	P8.7	67	A0	111	P9.2/SC0
24	V _{CC}	68	A1	112	RXCAN
25	V _{SS}	69	A2	113	TXCAN
26	P7.0/EPAPWM0	70	A3	114	V _{CC}
27	P7.1/EPAPWM1	71	A4	115	V _{SS}
28	P7.2/EPAPWM2	72	A5	116	P2.7/CLKOUT/PACT#
29	P7.3/EPAPWM3	73	A6	117	P2.6/HLDA#/ONCE#/CPVER
30	P7.4/EPAPWM4	74	A7	118	P2.5 HOLD#
31	P7.5/EPAPWM5	75	V _{CC}	119	P2.4/AINC#
32	P7.6/EPAPWM6	76	V _{SS}	120	P2.3
33	P7.7/EPAPWM7	77	PLLEN	121	P2.2/EXTINT/PROG#
34	A15	78	V _{SS}	122	P2.1/RXD/PALE#
35	A14	79	V _{SS}	123	P2.0/TXD
36	A13	80	V _{SS}	124	V _{SS}
37	A12	81	CRIN	125	V _{CC}
38	V _{CC}	82	V _{PP}	126	ACH0
39	V _{SS}	83	V _{SS}	127	ACH1
40	A11	84	CRDCLK	128	ACH2
41	P6.0/A16/PBUS16	85	CROUT	129	ACH3
42	P6.1/A17/PBUS17	86	CRBUSY#	130	ACH4
43	P6.2/A18/PBUS18	87	P4.7/AD15/PBUS15	131	ACH5
44	P6.3/A19/PBUS19	88	P4.6/AD14/PBUS14	132	ACH6

3.0 Signals

Table 3. Signal Descriptions (Sheet 1 of 9)

Name	Type	Description
A15:0	O	<p>System Address Bus</p> <p>These address pins provide address bits 0–15 during the entire external memory cycle during both multiplexed and demultiplexed bus modes.</p>
A20:16	O	<p>Address Pins 16–20</p> <p>These address pins provide address bits 16–20 during the entire external memory cycle during both multiplexed and demultiplexed bus modes, supporting extended addressing of the 2-Mbyte address space.</p> <p>NOTE: Internally, there are 24 address bits; however, only 21 external address pins (A20:0) are implemented. The internal address space is 16 Mbytes (000000–FFFFFFH) and the external address space is 2 Mbytes (000000–1FFFFFFH). The microcontroller resets to FF2080H in internal memory or 1F2080H in external memory.</p> <p>A20:16 share package pins with P6.4:0 and PBUS20:16.</p>
ACH15:0	I	<p>Analog Channels</p> <p>These signals are analog inputs to the A/D converter.</p> <p>The ANGND and V_{REF} pins must be connected for the A/D converter to function.</p>
AD15:0	I/O	<p>Address/Data Lines</p> <p>The function of these pins depends on the bus width and mode.</p> <p>16-bit Multiplexed Bus Mode:</p> <p>AD15:0 drive address bits 0–15 during the first half of the bus cycle and drive or receive data during the second half of the bus cycle.</p> <p>8-bit Multiplexed Bus Mode:</p> <p>AD15:8 drive address bits 8–15 during the entire bus cycle. AD7:0 drive address bits 0–7 during the first half of the bus cycle and drive or receive data during the second half of the bus cycle.</p> <p>16-bit Demultiplexed Mode:</p> <p>AD15:0 drive or receive data during the entire bus cycle.</p> <p>8-bit Demultiplexed Mode:</p> <p>AD7:0 drive or receive data during the entire bus cycle. AD15:8 drive the data that is currently on the high byte of the internal bus.</p> <p>AD15:8 share package pins with P4.7:0. AD7:0 share package pins with P3.7:0.</p>
ADV#	O	<p>Address Valid</p> <p>This active-low output signal is asserted only during external memory accesses. ADV# indicates that valid address information is available on the system address/data bus. The signal remains low while a valid bus cycle is in progress and is returned high as soon as the bus cycle completes.</p> <p>An external latch can use this signal to demultiplex the address from the address/data bus. A decoder can also use this signal to generate chip selects for external memory.</p> <p>ADV# shares a package pin with P5.0 and ALE.</p>
AINC#	I	<p>Auto Increment</p> <p>During slave programming, this active-low input enables the auto-increment feature. (Auto increment allows reading or writing of sequential flash memory locations, without requiring address transactions across the programming bus for each read or write.) AINC# is sampled after each location is programmed or dumped. If AINC# is asserted, the address is incremented and the next data word is programmed or dumped.</p> <p>AINC# shares a package pin with P2.4.</p>

Table 3. Signal Descriptions (Sheet 2 of 9)

Name	Type	Description															
ALE	O	<p>Address Latch Enable</p> <p>This active-high output signal is asserted only during external memory cycles. ALE signals the start of an external bus cycle and indicates that valid address information is available on the system address/data bus.</p> <p>An external latch can use this signal to demultiplex address bits 0–15 from the address/data bus in multiplexed mode.</p> <p>ALE shares a package pin with P5.0 and ADV#.</p>															
ANGND	GND	<p>Analog Ground</p> <p>ANGND must be connected for A/D converter operation. ANGND and V_{SS} should be nominally at the same potential.</p>															
BHE#	O	<p>Byte High Enable[†]</p> <p>During 16-bit bus cycles, this active-low output signal is asserted for word and high-byte reads and writes to external memory. BHE# indicates that valid data is being transferred over the upper half of the system data bus. Use BHE#, in conjunction with address bit 0 (A0 for a demultiplexed address bus, AD0 for a multiplexed address/data bus), to determine which memory byte is being transferred over the system bus:</p> <table border="1"> <thead> <tr> <th>BHE#</th> <th>AD0 or A0</th> <th>Byte(s) Accessed</th> </tr> </thead> <tbody> <tr> <td>0</td> <td>0</td> <td>both bytes</td> </tr> <tr> <td>0</td> <td>1</td> <td>high byte only</td> </tr> <tr> <td>1</td> <td>0</td> <td>low byte only</td> </tr> </tbody> </table> <p>BHE# shares a package pin with P5.5, TMODE1# and WRH#.</p> <p>When this pin is configured as a special-function signal (P5_MODE.5 = 1), the chip configuration register 0 (CCR0) determines whether it functions as BHE# or WRH#. CCR0.2 = 1 selects BHE#; CCR0.2 = 0 selects WRH#.</p>	BHE#	AD0 or A0	Byte(s) Accessed	0	0	both bytes	0	1	high byte only	1	0	low byte only			
BHE#	AD0 or A0	Byte(s) Accessed															
0	0	both bytes															
0	1	high byte only															
1	0	low byte only															
BLK3:0#	O	<p>Block x Active.</p> <p>When active, these signals indicate that programming of data is occurring within the corresponding flash memory address range or that the corresponding physical block is being erased. The address range and physical block associated with the BLKx# signals are as follows:</p> <table border="1"> <thead> <tr> <th></th> <th>Address Range</th> <th>Physical Block</th> </tr> </thead> <tbody> <tr> <td>BLK0#</td> <td>FC0000–FCFFFFH</td> <td>even bytes at FC0000–FDFFFEH</td> </tr> <tr> <td>BLK1#</td> <td>FD0000–FDFFFFH</td> <td>odd bytes at FC0001–FDFFFFH</td> </tr> <tr> <td>BLK2#</td> <td>FE0000–FEFFFFH</td> <td>even bytes at FE0000–FFFFFEH</td> </tr> <tr> <td>BLK3#</td> <td>FF0000–FFFFFFH</td> <td>odd bytes at FE0001–FFFFFFH</td> </tr> </tbody> </table> <p>During test-ROM execution mode, the contents of pages FFH and FBH are swapped.</p> <p>BLK1:0# shares a package pin with P8.1:0 and EPAPWM9:8. BLK2# shares a package pin with P8.2, EPA10, and T1CLK. BLK3# shares a package pin with P8.3, EPA11, and T1RST.</p>		Address Range	Physical Block	BLK0#	FC0000–FCFFFFH	even bytes at FC0000–FDFFFEH	BLK1#	FD0000–FDFFFFH	odd bytes at FC0001–FDFFFFH	BLK2#	FE0000–FEFFFFH	even bytes at FE0000–FFFFFEH	BLK3#	FF0000–FFFFFFH	odd bytes at FE0001–FFFFFFH
	Address Range	Physical Block															
BLK0#	FC0000–FCFFFFH	even bytes at FC0000–FDFFFEH															
BLK1#	FD0000–FDFFFFH	odd bytes at FC0001–FDFFFFH															
BLK2#	FE0000–FEFFFFH	even bytes at FE0000–FFFFFEH															
BLK3#	FF0000–FFFFFFH	odd bytes at FE0001–FFFFFFH															
BREQ#	O	<p>Bus Request</p> <p>This active-low output signal is asserted during a hold cycle when the bus controller has a pending external memory cycle. When the bus-hold protocol is enabled (WSR.7 is set), the P5.4/BREQ# pin can function only as BREQ#, regardless of the configuration selected through the port configuration registers (P5_MODE, P5_DIR, and P5_REG). An attempt to change the pin configuration is ignored until the bus-hold protocol is disabled (WSR.7 is cleared).</p> <p>The microcontroller can assert BREQ# at the same time as or after it asserts HLDA#. Once it is asserted, BREQ# remains asserted until HOLD# is deasserted.</p> <p>BREQ# shares a package pin with P5.4 and TMODE0#.</p>															
CLKOUT	O	<p>Clock Output</p> <p>Output of the internal clock generator. You can select one of four frequencies: f/2, f/4, f/8, or f/16. CLKOUT has a 50% duty cycle.</p> <p>CLKOUT shares a package pin with P2.7 and PACT#.</p>															

Table 3. Signal Descriptions (Sheet 3 of 9)

Name	Type	Description
CPVER	O	<p>Cumulative Program Verification</p> <p>During slave or UPROM programming, a high signal indicates that the program operation was successful, while a low signal indicates that an error occurred during the program operation.</p> <p>CPVER shares a package pin with P2.6, HLDA#, and ONCE#.</p>
CRBUSY#	O	<p>Code RAM Busy</p> <p>When active, this signal indicates that the serial debug unit (SDU) is busy processing a code RAM command. No data can be transferred during this time.</p>
CRDCLK	I	<p>Code RAM Clock</p> <p>Provides the clock signal for the serial debug unit (SDU). The maximum clock frequency equals one-half the operating frequency ($f/2$).</p>
CRIN	I	<p>Code RAM Data Input</p> <p>Serial input for test instructions and data into the serial debug unit (SDU). Data is transferred in 8-bit bytes with the most-significant bit (MSB) first. Each byte is sampled on the rising edge of CRDCLK.</p>
CROUT	O	<p>Code RAM Data Output</p> <p>Serial output for data from the serial debug unit (SDU). Data is transferred in 8-bit bytes with the most-significant bit (MSB) first. Each byte is valid on the rising edge of CRDCLK.</p>
CS2:0#	O	<p>Chip-select Lines 0–2</p> <p>The active-low output CSx# is asserted during an external memory cycle when the address to be accessed is in the range programmed for chip select x. If the external memory address is outside the range assigned to the three chip selects, no chip-select output is asserted and the bus configuration defaults to the CS2# values. Immediately following reset, CS0# is automatically assigned to the range (1F2000–1F20FFH if external).</p> <p>CS2:0# share package pins with P6.7:5 and PMODE2:0.</p>
EA#	I	<p>External Access</p> <p>This input determines whether memory accesses to flash program memory partitions (FC0000–FFFFFFH) are directed to internal or external memory. These accesses are directed to internal flash memory if EA# is held high and to external memory if EA# is held low. For an access to any other memory location, the value of EA# is irrelevant.</p> <p>EA# is sampled and latched only on the rising edge of RESET#. Changing the level of EA# after reset has no effect. Always connect EA# to V_{SS} when using a microcontroller that has no internal nonvolatile memory or V_{CC} when using the internal flash memory.</p>
EPA14:10	I/O	<p>Event Processor Array (EPA) Capture/Compare Channels</p> <p>High-speed input/output signals for the EPA capture/compare channels.</p> <p>EPA14:10 share package pins with the following signals: EPA10/P8.2/T1CLK/BLK2#, EPA11/P8.3/T1RST/BLK3#, EPA12/P8.4/T2CLK, EPA13/P8.5/T2RST, EPA14/P8.6.</p>
EPAPWM9:0	I/O	<p>Event Processor Array (EPA) PWM Receiver/Transmitter Channels</p> <p>High-speed input/output signals for the enhanced EPA PWM receiver/transmitter channels.</p> <p>EPAPWM9:8 share package pins with P8.1:0 and BLK1:0#. EPAPWM7:0 share package pins with P7.7:0.</p>

Table 3. Signal Descriptions (Sheet 4 of 9)

Name	Type	Description
EXTINT	I	<p>External Interrupt</p> <p>In normal operating mode, a rising edge on EXTINT sets the EXTINT interrupt pending bit. EXTINT is sampled during phase 2 (CLKOUT high). The minimum high time is one state time.</p> <p>In powerdown mode, asserting the EXTINT signal for at least 50 ns causes the device to resume normal operation. The interrupt does not need to be enabled, but the pin must be configured as a special-function input. If the EXTINT interrupt is enabled, the CPU executes the interrupt service routine. Otherwise, the CPU executes the instruction that immediately follows the command that invoked the power-saving mode.</p> <p>In idle mode, asserting any enabled interrupt causes the device to resume normal operation.</p> <p>EXTINT shares a package pin with P2.2 and PROG#.</p>
HLDA#	O	<p>Bus Hold Acknowledge</p> <p>The HLDA# pin is used in systems with more than one processor using the system bus. The microcontroller asserts HLDA# to indicate that it has released the bus in response to HOLD# and another processor can take control. (This signal is active low to avoid misinterpretation by external hardware immediately after reset.)</p> <p>When the bus-hold protocol is enabled (WSR.7 is set), the P2.6/HLDA# pin can function only as HLDA#, regardless of the configuration selected through the port configuration registers (P2_MODE, P2_DIR, and P2_REG). An attempt to change the pin configuration is ignored until the bus-hold protocol is disabled (WSR.7 is cleared).</p>
HOLD#	I	<p>Bus Hold Request</p> <p>An external device uses this active-low input signal to request control of the bus.</p> <p>When the bus-hold protocol is enabled (WSR.7 is set), the P2.5/HOLD# pin can function only as HOLD#, regardless of the configuration selected through the port configuration registers (P2_MODE, P2_DIR, and P2_REG). An attempt to change the pin configuration is ignored until the bus-hold protocol is disabled (WSR.7 is cleared). If P2.5 is configured as a general-purpose I/O signal, the device does not recognize signals on this pin as HOLD#. Instead, the bus controller receives an internal HOLD signal. This enables the device to access the external bus while it is performing I/O at P2.5.</p>
INST	O	<p>Instruction Fetch</p> <p>When high, INST indicates that an instruction is being fetched from external memory. The signal remains high during the entire bus cycle of an external instruction fetch. INST is low for data accesses, including interrupt vector fetches and chip configuration byte reads. INST is low during internal memory fetches.</p> <p>INST shares a package pin with P5.1.</p>
NMI	I	<p>Nonmaskable Interrupt</p> <p>In normal operating mode, a rising edge on NMI generates a nonmaskable interrupt. NMI has the highest priority of all prioritized interrupts. Assert NMI for greater than one state time to guarantee that it is recognized.</p>
ONCE#	I	<p>On-circuit Emulation</p> <p>Holding ONCE# low during the rising edge of RESET# places the microcontroller into on-circuit emulation (ONCE) mode. This mode puts all pins into a high-impedance state, thereby isolating the microcontroller from other components in the system. The value of ONCE# is latched when the RESET# pin goes inactive. While the microcontroller is in ONCE mode, you can debug the system using a clip-on emulator.</p> <p>To exit ONCE mode, reset the microcontroller by pulling the RESET# signal low. To prevent inadvertent entry into ONCE mode, either configure this pin as an output or hold it high during reset and ensure that your system meets the V_{IH} specification.</p> <p>ONCE# shares a package pin with P2.6, TMODE1#, and CPVER.</p>

Table 3. Signal Descriptions (Sheet 5 of 9)

Name	Type	Description
P2.7:0	I/O	<p>Port 2</p> <p>This is a standard, 8-bit, bidirectional port that shares package pins with individually selectable special-function signals.</p> <p>P2.6 is multiplexed with the ONCE function. If you choose to configure this pin as an input, always hold it high during reset and ensure that your system meets the V_{IH} specification to prevent inadvertent entry into ONCE mode.</p> <p>Port 2 shares package pins with the following signals: P2.0/TXD, P2.1/RXD/PALE#, P2.2/EXTINT/PROG#, P2.4/AINC#, P2.5 HOLD# P2.6/ONCE#/CPVER, HLDA#, and P2.7/CLKOUT/PACT#.</p> <p>P2.3 is a dedicated general-purpose I/O signal.</p>
P3.7:0	I/O	<p>Port 3</p> <p>This is a memory-mapped, 8-bit, bidirectional port with programmable open-drain or complementary output modes. The pins are shared with the multiplexed address/data bus, which has complementary drivers.</p> <p>P3.7:0 share package pins with AD7:0 and PBUS7:0.</p>
P4.7:0	I/O	<p>Port 4</p> <p>This is a memory-mapped, 8-bit, bidirectional port with programmable open-drain or complementary output modes. The pins are shared with the multiplexed address/data bus, which has complementary drivers.</p> <p>P4.7:0 share package pins with AD15:8 and PBUS15:8.</p>
P5.7:0	I/O	<p>Port 5</p> <p>This is a memory-mapped, 8-bit, bidirectional port that shares package pins with individually selectable control signals. P5.4 shares a package pin with TMODE0#. If this pin is held low during reset, the device will enter a test mode. To prevent inadvertent entry into a reserved test mode, either configure this pin as an output or hold it high during reset and ensure that your system meets the V_{IH} specification.</p> <p>Port 5 shares package pins with the following signals: P5.0/ALE/ADV#, P5.1/INST, P5.2/WR#/WRL#, P5.3/RD#, P5.4/BREQ#/TMODE0#, P5.5/BHE#/WRH#, P5.6/READY, and P5.7/RPD.</p>
P6.7:0	O	<p>Port 6</p> <p>This is a standard, 8-bit, bidirectional port individually selectable special-function signals.</p> <p>Port 6 shares package pins with the following signals: P6.0/A16/PBUS16, P6.1/A17/PBUS17, P6.2/A18/PBUS18, P6.3/A19/PBUS19, P6.4/A20/PBUS20, P6.5/CS0#/PMODE0, P6.6/CS1#/PMODE1, and P6.7/CS2#/PMODE2.</p>
P7.7:0	I/O	<p>Port 7</p> <p>This is a standard, 8-bit, bidirectional port that shares package pins with individually selectable special-function signals.</p> <p>P7.7:0 share package pins with EPAPWM7:0.</p>
P8.7:0	I/O	<p>Port 8</p> <p>This is a standard, 8-bit, bidirectional port that shares package pins with individually selectable special-function signals.</p> <p>Port 8 shares package pins with the following signals: P8.0/EPAPWM8/BLK0#, P8.1/EPAPWM9/BLK1#, P8.2/EPA10/T1CLK/BLK2#, P8.3/EPA11/T1RST/BLK3#, P8.4/EPA12/T2CLK, P8.5/EPA13/T2RST, P8.6/EPA14.</p> <p>P8.7 is a dedicated general-purpose I/O signal.</p>

Table 3. Signal Descriptions (Sheet 6 of 9)

Name	Type	Description
P9.7:2	I/O	Port 9 This is a standard, 6-bit, bidirectional port that shares package pins with individually selectable special-function signals. Port 9 shares package pins with the following signals: P9.2/SC0, P9.3/SD0, P9.4/SC1, and P9.5/SD1. P9.6 and P9.7 are dedicated general-purpose I/O signals.
PACT#	O	Programming Active During slave or UPROM programming, a low signal indicates that programming is in progress, while a high signal indicates that the operation is complete. PACT# shares a package pin with P2.7 and CLKOUT.
PALE#	I	Programming ALE During slave or UPROM programming, a falling edge causes the microcontroller to read the programming bus. PALE# is multiplexed with P2.1 and RXD.
PBUS20:0	I/O	Address/Command/Data Bus Address and data input/output bus during slave and UPROM programming. PBUS20:16 share package pins with A20:16 and P6.4:0; PBUS15:8 share package pins with AD15:8 and P4.7:0; PBUS7:0 share package pins with AD7:0 and P3.7:0.
PLLEN	I	Phase-locked Loop Enable This active-high input pin enables the on-chip clock multiplier. This pin should be tied to V _{CC} to activate the P _{LL} or V _{SS} to disable the P _{LL} . The state of the PLL can only be changed at the time of reset.
PMODE2:0	I	Programming Mode Select These pins, along with the TMODE1:0# pins, determine the programming mode. PMODE2:0 are sampled after a device reset and must be static while the microcontroller is operating. PMODE2:0 share package pins with P6.7:5 and CS2:0#.
PROG#	I	Programming Start During programming, a falling edge latches data on the programming bus and begins programming, while a rising edge ends programming. The current location is programmed with the same data as long as PROG# remains asserted, so the data on the programming bus must remain stable while PROG# is active. During a word dump, a falling edge causes the contents of a flash memory location to be output on the PBUS, while a rising edge ends the data transfer. PROG# shares a package pin with P2.2 and EXTINT.
RD#	O	Read Read-signal output to external memory. RD# is asserted only during external memory reads. RD# shares a package pin with P5.3.
READY	I	Ready Input This active-high input can be used to insert wait states in addition to those programmed in the chip configuration byte 0 (CCB0) and the bus control x register (BUSCONx). CCB0 is programmed with the minimum number of wait states (0–3) for an external fetch of CCB1, and BUSCONx is programmed with the minimum number of wait states (0–3) for all external accesses to the address range assigned to the chip-select x channel. If READY is low when the programmed number of wait states is reached, additional wait states are added until READY is pulled high. READY shares a package pin with P5.6.

Table 3. Signal Descriptions (Sheet 7 of 9)

Name	Type	Description
RESET#	I/O	<p>Reset</p> <p>A level-sensitive reset input to, and an open-drain system reset output from, the microcontroller. Either a falling edge on RESET# or an internal reset turns on a pull-down transistor connected to the RESET# pin for 16 state times.</p> <p>In the powerdown and idle modes, asserting RESET# causes the microcontroller to reset and return to normal operating mode. After a reset, the first instruction fetch is from FF2080H (or 1F2080H in external memory).</p>
RPD	I	<p>Return from Powerdown</p> <p>Timing pin for the return-from-powerdown circuit.</p> <p>If your application uses powerdown mode, connect a capacitor between RPD and V_{SS} if either of the following conditions are true.</p> <ul style="list-style-type: none"> The internal oscillator is the clock source The phase-locked loop (PLL) circuitry is enabled (see PLEN signal description) <p>The capacitor causes a delay that enables the oscillator and PLL circuitry to stabilize before the internal CPU and peripheral clocks are enabled. Refer to the "Special Operating Modes" chapter of the for details on selecting the capacitor.</p> <p>The capacitor is not required if your application uses powerdown mode and if both of the following conditions are true.</p> <ul style="list-style-type: none"> An external clock input is the clock source The phase-locked loop circuitry is disabled <p>If your application does not use powerdown mode, leave this pin unconnected.</p> <p>RPD shares a package pin with P5.7.</p>
RXCAN	I	<p>Receive CAN Message</p> <p>This signal carries messages from other nodes on the CAN bus to the integrated CAN controller.</p>
RXD	I/O	<p>Receive Serial Data</p> <p>In modes 1, 2, and 3, RXD receives serial port input data. In mode 0, it functions as either an input or an open-drain output for data.</p> <p>RXD shares a package pin with P2.1 and PALE#.</p>
SC1:0	I/O	<p>Clock Pins for SSIO0 and 1</p> <p>In standard mode, SC0 is the serial clock pin for channel 0 and SC1 is the serial clock pin for channel 1. In duplex and channel-select modes, SC0 is the serial clock pin for both channels 0 and 1 and SC1 is not available.</p> <p>SC0 shares a package pin with P9.2, and SC1 shares a package pin with P9.4.</p>
SD1:0	I/O	<p>Data Pins for SSIO0 and 1</p> <p>These pins are the data I/O pins for SSIO0 and 1. For transmissions, configure SDx as a complementary output signal. For receptions, configure SDx as a high-impedance input signal.</p> <p>SD0 shares a package pin with P9.3, and SD1 shares a package pin with P9.5.</p>
T1CLK	I	<p>Timer 1 External Clock</p> <p>External clock for timer 1. Timer 1 is programmable to increment or decrement on the rising edge, the falling edge, or both rising and falling edges of T1CLK.</p> <p>T1CLK shares a package pin with P8.2, EPA10, and BLK2#.</p>
T2CLK	I	<p>Timer 2 External Clock</p> <p>External clock for timer 2. Timer 2 is programmable to increment or decrement on the rising edge, the falling edge, or both rising and falling edges of T2CLK. and</p> <p>External clock for the serial I/O baud-rate generator input (program selectable).</p> <p>T2CLK shares a package pin with P8.4 and EPA12.</p>

Table 3. Signal Descriptions (Sheet 8 of 9)

Name	Type	Description
T1RST	I	Timer 1 External Reset External reset for timer 1. Timer 1 is programmable to reset on the rising edge, the falling edge, or both rising and falling edges of T1RST. T1RST shares a package pin with P8.3, EPA11, and BLK3#.
T2RST	I	Timer 2 External Reset External reset for timer 2. Timer 2 is programmable to reset on the rising edge, the falling edge, or both rising and falling edges of T2RST. T2RST shares a package pin with P8.5 and EPA13.
TMODE1:0#	I	Test-Mode Entry If these pins are held low during reset, the microcontroller will enter a test mode. The value of several other pins defines the actual test mode. All test modes, except TROM execution, are reserved for Intel factory use. If you choose to configure these signals as inputs, always hold them high during reset and ensure that your system meets the V_{IH} specification to prevent inadvertent entry into test mode. TMODE0# shares a package pin with P5.4 and BREQ#; TMODE1# shares a package pin with P5.5, BHE#, WRH#.
TXCAN	O	Transmit CAN Message This signal carries messages from the integrated CAN controller to other nodes on the CAN bus.
TXD	O	Transmit Serial Data In serial I/O modes 1, 2, and 3, TXD transmits serial port output data. In mode 0, it is the serial clock output. TXD shares a package pin with P2.0.
V_{CC}	PWR	Digital Supply Voltage Connect each V_{CC} pin to the digital supply voltage.
V_{CCPLL}	PWR	Digital Supply Voltage for the Phase-locked Loop (PLL) Circuitry Connect this pin to the digital supply voltage. V_{CCPLL} and V_{CC} should be nominally at the same voltage.
V_{PP}	PWR	Programming Voltage During Flash Program/Erase, the V_{PP} pin is typically at +12 V (V_{PP} voltage). During normal operation the V_{PP} pin is tied to V_{SS} .
V_{REF}	PWR	Reference Voltage for the A/D Converter This pin supplies operating voltage to the A/D converter.
V_{SS}	GND	Digital Circuit Ground These pins supply ground for the digital circuitry. Connect each V_{SS} pin to ground through the lowest possible impedance path.
V_{SSPLL}	GND	Digital Circuit Ground for the Phase-locked Loop (PLL) Circuitry Connect this pin to ground through the lowest possible impedance path. V_{SSPLL} and V_{SS} should be nominally at the same potential.
WR#	O	Write [†] This active-low output indicates that an external write is occurring. This signal is asserted only during external memory writes. WR# shares a package pin with P5.2 and WRL#. [†] When this pin is configured as a special-function signal (P5_MODE.2 = 1), the chip configuration register 0 (CCR0) determines whether it functions as WR# or WRL#. CCR0.2 = 1 selects WR#; CCR0.2 = 0 selects WRL#.

Table 3. Signal Descriptions (Sheet 9 of 9)

Name	Type	Description
WRH#	O	Write High [†] During 16-bit bus cycles, this active-low output signal is asserted for high-byte writes and word writes to external memory. During 8-bit bus cycles, WRH# is asserted for all write operations. WRH# shares a package pin with P5.5 and BHE#. [†] When this pin is configured as a special-function signal (P5_MODE.5 = 1), the chip configuration register 0 (CCR0) determines whether it functions as BHE# or WRH#. CCR0.2 = 1 selects BHE#; CCR0.2 = 0 selects WRH#.
WRL#	O	Write Low [†] During 16-bit bus cycles, this active-low output signal is asserted for low-byte writes and word writes to external memory. During 8-bit bus cycles, WRL# is asserted for all write operations. WRL# shares a package pin with P5.2 and WR#. [†] When this pin is configured as a special-function signal (P5_MODE.2 = 1), the chip configuration register 0 (CCR0) determines whether it functions as WR# or WRL#. CCR0.2 = 1 selects WR#; CCR0.2 = 0 selects WRL#.
XTAL1	I	Input Crystal/Resonator or External Clock Input Input to the on-chip oscillator and the internal clock generators. The internal clock generators provide the peripheral clocks, CPU clock, and CLKOUT signal. When using an external clock source instead of the on-chip oscillator, connect the clock input to XTAL1. The external clock signal must meet the V _{IH} specification for XTAL1.
XTAL2	O	Inverted Output for the Crystal/Resonator Output of the on-chip oscillator inverter. Leave XTAL2 floating when the design uses an external clock source instead of the on-chip oscillator.

4.0 Address Map

Table 4. Intel® 88CO196EC CHMOS 16-Bit Microcontroller Address Map (Sheet 1 of 2)

Hex Address	Description	Addressing Modes for Data Accesses
FFFFFF FF2140	Internal flash program memory or external program memory (Notes 1 and 2)	Extended
FF213F FF20C0	Internal flash special-purpose memory or external special-purpose memory (PIH vectors) (Notes 1 and 2)	Extended
FF20BF FF2080	Internal flash program memory or external program memory (Notes 1 and 2). After reset, the first instruction is fetched from FF2080H.	Extended
FF207F FF2000	Internal flash special-purpose memory or external special-purpose memory (CCBs, interrupt vectors, and PTS vectors) (Notes 1 and 2)	Extended
FF1FFF FC0000	Internal flash program memory or external program memory (Notes 1 and 2)	Extended
FBFFFF FB0000	External memory or I/O (Note 1)	Extended
FAFFFF E10000	External memory or I/O	Extended
E0FFFF 010000	Reserved for future microcontrollers, do not access these locations. (Note 3)	—
00FFFF 002000	External memory or I/O	Indirect, indexed, extended
001FFF 001FE0	Memory-mapped special-function registers (SFRs)	Indirect, indexed, extended
001FDF 001E00	Peripheral special-function registers (SFRs)	Indirect, indexed, extended, windowed direct
001DFF 001D00	CAN special-function registers (SFRs)	Indirect, indexed, extended, windowed direct
001CFF 001C00	Upper register file (general-purpose register RAM)	Indirect, indexed, extended, windowed direct
001BFF 000F00	External memory or I/O	Indirect, indexed, extended

NOTES:

1. During test ROM execution mode, the contents of pages FFH and FBH are swapped. This allows the microcontroller to enter a test ROM routine after reset.
2. Accesses to these locations go to internal flash if EA# is high or an external device if EA# is low.
3. Since the upper three address bits, A23:21, are not connected to external pins, these address locations are unique internally, but not externally. For example, addresses 200F20H, 400F20H, 600F20H appear externally on address pins A20:0 as 000F20H.
4. The IRAM_CON register determines whether accesses to these locations go to internal code/data RAM or external memory. Accesses to these locations go internal if IRAM_CON.6 = 0 and external if IRAM_CON.6 = 1.

Table 4. Intel® 88CO196EC CMOS 16-Bit Microcontroller Address Map (Sheet 2 of 2)

Hex Address	Description	Addressing Modes for Data Accesses
000EFF 000400	Internal code/data RAM or external memory (Note 4)	Indirect, indexed, extended
0003FF 000100	Upper register file (general-purpose register RAM)	Indirect, indexed, extended, windowed direct
0000FF 000018	Lower register file (general-purpose register RAM)	Direct, indirect, indexed, extended
000017 000000	Lower register file (stack pointer and CPU SFRs)	Direct, indirect, indexed, extended

NOTES:

1. During test ROM execution mode, the contents of pages FFH and FBH are swapped. This allows the microcontroller to enter a test ROM routine after reset.
2. Accesses to these locations go to internal flash if EA# is high or an external device if EA# is low.
3. Since the upper three address bits, A23:21, are not connected to external pins, these address locations are unique internally, but not externally. For example, addresses 200F20H, 400F20H, 600F20H appear externally on address pins A20:0 as 000F20H.
4. The IRAM_CON register determines whether accesses to these locations go to internal code/data RAM or external memory. Accesses to these locations go internal if IRAM_CON.6 = 0 and external if IRAM_CON.6 = 1.

5.0 Electrical Characteristics

<p>ABSOLUTE MAXIMUM RATINGS[†]</p> <p>Storage Temperature -60°C to +150°C</p> <p>V_{CC} Supply Voltage with Respect to V_{SS} -0.5 V to +6.0 V</p> <p>V_{PP} (maximum) 13.0 V</p> <p>Power Dissipation 1.5 W</p> <p>OPERATING CONDITIONS[†]</p> <p>T_C (Case Temperature Under Bias) (note 4)</p> <p style="padding-left: 20px;">Extended Temperature..... -40°C to +85°C</p> <p style="padding-left: 20px;">Commercial Temperature..... 0°C to +70°C</p> <p>V_{CC} (Digital Supply Voltage) 4.75 V to 5.25 V</p> <p>V_{PP} (normal operation)..... tie to V_{SS}</p> <p>V_{PP} (Flash program/erase)..... 11.4 V to 12.6 V</p> <p>V_{REF} (Analog Supply Voltage) 4.75 V to 5.25 V</p> <p>F_{X TAL1} (Input frequency for V_{CC} = 4.75 V – 5.25 V) (Notes 1, 2, 3)..... 16MHz to 40MHz</p>	<p>NOTICE: This datasheet contains information on products being sampled or in the initial production phase of development. The specifications are subject to change without notice. Verify with your local Intel sales office that you have the latest datasheet before finalizing a design.</p>
<p>NOTE:</p> <ol style="list-style-type: none"> 1. This device is static and should operate below 1 Hz, but has been tested only down to 16 MHz. 2. When the phase-locked loop (PLL) circuitry is enabled, the minimum input frequency on XTAL1 is 6 MHz. The PLL cannot be run at frequencies lower than 24 MHz in 4X mode. 3. Assume an external clock. The maximum frequency for an external crystal oscillator is 20MHz. 4. Flash programming and erase operations only guaranteed to work from 0°C to +70°C. 	<p>†WARNING: <i>Stressing the device beyond the “Absolute Maximum Ratings” may cause permanent damage. These are stress ratings only. Operation beyond the “Operating Conditions” is not recommended and extended exposure beyond the “Operating Conditions” may affect device reliability.</i></p>

5.1 DC Characteristics

Table 5. DC Characteristics at V_{CC} = 4.75 V – 5.25 V (Sheet 1 of 2)

Sym	Parameter	Min	Typical (Note 1)	Max	Units	Test Conditions
I _{CC}	V _{CC} supply current 40MHz		100	130	mA	V _{CC} = 5.25 V Device in Reset
I _{IDLE}	Idle mode current 40MHz		60	85	mA	V _{CC} = 5.25 V
I _{PD}	Powerdown mode current		50		µA	V _{CC} = 5.25 V

NOTES:

1. Typical values are based on a limited number of samples and are not guaranteed. The values listed are at room temperature with V_{CC} = 5.0 V.
2. For P2.7:0, P3.7:0, P4.7:0, P5.7:0, P6.7:0, P7.7:0, P8.7:0, P9.7:0, RESET#, NMI, CRIN, CRDCLK, ONCE#, and XTAL1.
3. The maximum injection current is not tested. The device is designed to meet this specification.
4. Pin capacitance is not tested. This value is based on design simulations.

Table 5. DC Characteristics at $V_{CC} = 4.75\text{ V} - 5.25\text{ V}$ (Sheet 2 of 2)

Sym	Parameter	Min	Typical (Note 1)	Max	Units	Test Conditions
I_{REF}	A/D reference supply current			6	mA	XTAL1 = 40 MHz $V_{CC} = V_{REF} = 5.25\text{ V}$ Device in Reset
I_{INJD}	Maximum injection current per port on bidirectional pins (Note 3)	-10		10	mA	
I_{LI}	Input leakage current (Standard inputs except analog inputs)	-10		10	μA	$V_{SS} < V_{IN} < V_{CC}$
I_{LI1}	Input leakage current (analog inputs)	-300		300	nA	$V_{SS} + 100\text{ mV} < V_{IN} < V_{REF} - 100\text{ mV}$
I_{IH}	Input high current (NMI only)			175	μA	$NMI = V_{CC} = 5.25\text{ V}$
V_{IL1}	Input low voltage (Note 2)	-0.5		$0.3 V_{CC}$	V	
V_{IH1}	Input high voltage (Note 2)	$0.7 V_{CC}$		$V_{CC} + 0.5$	V	
V_{OL1}	Output low voltage (output configured as complementary)			0.3 0.45 1.5	V V V	$I_{OL} = 200\ \mu\text{A}$ $I_{OL} = 3.2\ \text{mA}$ $I_{OL} = 7\ \text{mA}$
V_{OH1}	Output high voltage (output configured as complementary)	$V_{CC} - 0.3$ $V_{CC} - 0.7$ $V_{CC} - 1.5$			V V V	$I_{OH} = -200\ \mu\text{A}$ $I_{OH} = -3.2\ \text{mA}$ $I_{OH} = -7\ \text{mA}$
I_{OH2}	Output high current in reset (on any pin except ONCE# and TMODEx#)	-30 -65 -75		-140 -280 -350	μA μA μA	$V_{OH2} = V_{CC} - 1\text{ V}$ $V_{OH2} = V_{CC} - 2.5\text{ V}$ $V_{OH2} = V_{CC} - 4\text{ V}$
V_{OL2}	Output low voltage in reset (on ALE)			0.5	V	$I_{OL} = 15\ \mu\text{A}$
V_{HYS}	Hysteresis voltage on RESET#	700			mV	
C_S	Pin Capacitance (any pin to V_{SS}) (Note 4)			10	pF	Not tested
R_{RST}	Pull-up resistor on RESET# pin	9		95	k Ω	$V_{CC} = 5.25\text{ V}$ $V_{IN} = 4\text{ V}$
I_{pph}	V_{PP} Current during erase/write operation			40	mA	

NOTES:

- Typical values are based on a limited number of samples and are not guaranteed. The values listed are at room temperature with $V_{CC} = 5.0\text{ V}$.
- For P2.7:0, P3.7:0, P4.7:0, P5.7:0, P6.7:0, P7.7:0, P8.7:0, P9.7:0, RESET#, NMI, CRIN, CRDCLK, ONCE#, and XTAL1.
- The maximum injection current is not tested. The device is designed to meet this specification.
- Pin capacitance is not tested. This value is based on design simulations.

6.0 Explanation of AC Symbols

Table 6. AC Timing Symbol Definitions

Character	Signal(s)
A	AD15:0, A20:0
BR	BREQ#
C	CLKOUT
D	AD15:0, AD7:0, RXD (SIO mode 0 input data), SDx (SSIO input data)
H	CRBUSY#
L	ALE/ADV#
Q	AD15:0, AD7:0, RXD (SIO mode 0 output data), SDx (SSIO output data)
R	RD#
S	CSx#
W	WR#, WRH#, WRL#
X	XTAL1, TXD (SIO clock), SCx (SSIO standard mode clock)
Y	READY

Character	Condition
H	High
L	Low
V	Valid
X	No Longer Valid
Z	Floating (low impedance)

6.1 AC Characteristics — Multiplexed Bus Mode

Test Conditions: Capacitive load on all pins = 50 pF, Rise and Fall Times = 3 ns.

Table 7. AC Characteristics, Multiplexed Bus Mode (Sheet 1 of 2)

Symbol	Parameter	Min	Max	Units
F _{XTAL1}	Frequency on XTAL1, PLL in 1x mode (disabled)	16	40	MHz (1, 2)
	Frequency on XTAL1, PLL in 4x mode	6	10	MHz
f	Operating frequency, $f = F_{XTAL1}$; PLL in 1x mode (disabled)	16	40	MHz
	Operating frequency, $f = 4F_{XTAL1}$; PLL in 4x mode	24	40	MHz
t	Period, $t = 1/f$;	25	62.5	ns
T _{AVDV}	Address Valid to Input Data Valid		3t – 40	ns (3)
T _{RLDV}	RD# Low to Input Data Valid		t – 30	ns (3)
T _{CHDV}	CLKOUT High to Input Data valid		2t – 35	ns (4)
T _{RHDZ}	RD# High to Input Data Float		t + 3	ns
T _{RXDX}	Data Hold after RD# Inactive	0		ns
T _{XHCH}	XTAL1 Rising Edge to CLKOUT High or Low	3	50	ns (4)
T _{CLCL}	CLKOUT Cycle Time	2t		ns (4)
T _{CHCL}	CLKOUT High Period	t – 10	t + 15	ns (4)
T _{CLLH}	CLKOUT Low to ALE High	– 10	10	ns (4)
T _{LLCH}	ALE Low to CLKOUT High	– 15	15	ns (4)
T _{LHLH}	ALE Cycle Time	4t		ns (3)
T _{LHLL}	ALE High Period	t – 10	t + 10	ns
T _{AVLL}	Address Setup to ALE Low	t – 15		ns
T _{LLAX}	Address Hold after ALE Low	t – 10		ns
T _{LLRL}	ALE Low to RD# Low	t – 15		ns
T _{RLCL}	RD# Low to CLKOUT Low	– 10	20	ns (4)
T _{RLRH}	RD# Low to RD# High	t – 10		ns (3)
T _{RHLH}	RD# High to ALE High	t – 5	t + 15	ns (5)
T _{RLAZ}	RD# Low to Address Float		5	ns
T _{LLWL}	ALE Low to WR# Low	t – 12		ns
T _{QVWH}	Output Data Stable to WR# High	t – 14		ns (3)
T _{CHWH}	CLKOUT High to WR# High	– 15	6.5	ns (4)

NOTES:

- 20MHz is the maximum input frequency when using an external crystal oscillator; however, 40MHz can be applied with an external clock source.
- Device is static by design, but has been tested only down to 16MHz.
- If wait states are used, add $2t \times n$, where n = number of wait states.
- Assumes CLKOUT is operating in divide-by-two mode ($f/2$).
- Assuming back-to-back bus cycles.
- 8-bit bus only.
- When forcing wait states using the BUSCONx register, add $2t \times n$, where n = number of wait states.
- Exceeding the maximum specification causes additional wait states.
- The first falling edge of READY is not synchronized to a CLKOUT edge; therefore, one programmed wait state is required.

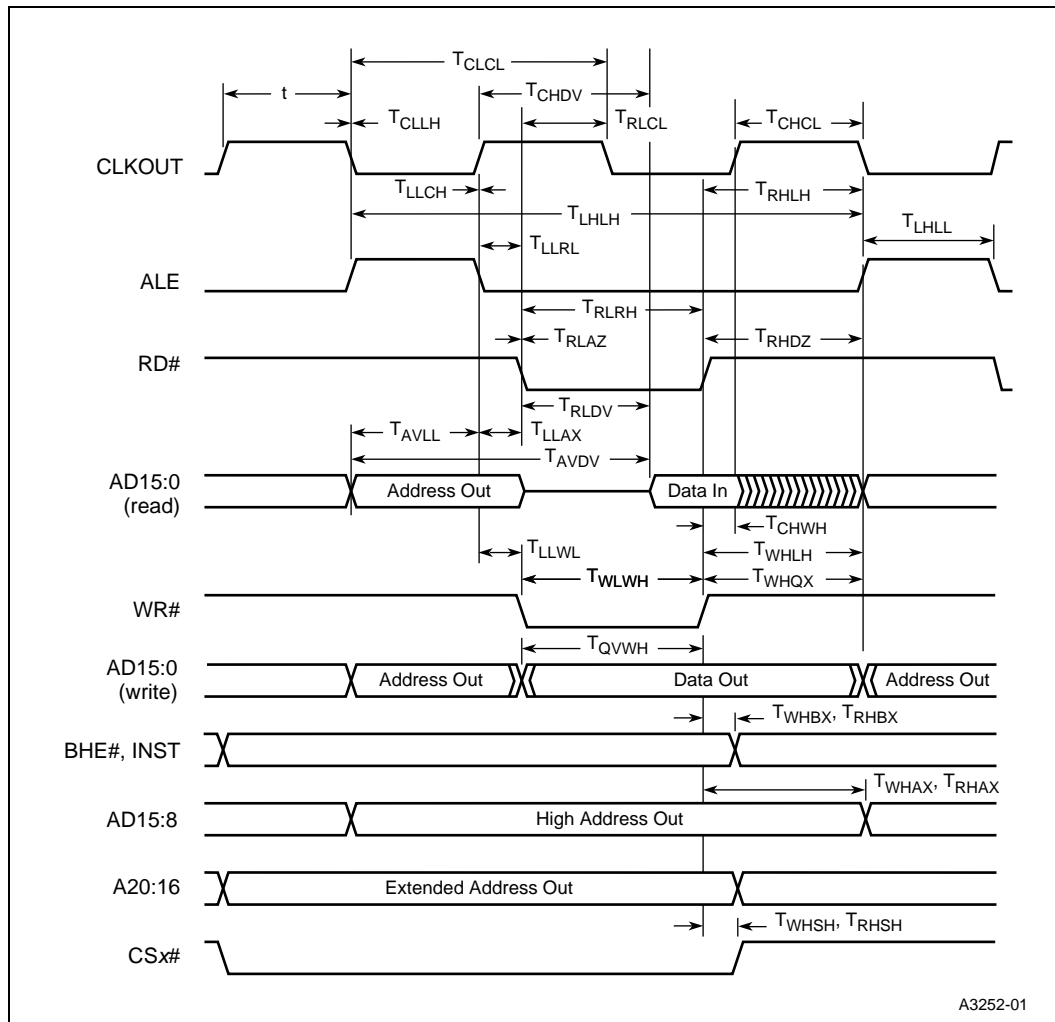
Table 7. AC Characteristics, Multiplexed Bus Mode (Sheet 2 of 2)

Symbol	Parameter	Min	Max	Units
T _{WLWH}	WR# Low to WR# High	t – 10		ns (3)
T _{WHQX}	Output Data Hold after WR# High	40 MHz = t-13		ns
T _{WHLH}	WR# High to ALE High	t – 15	t + 20	ns
T _{WHBX}	BHE#, INST Hold after WR# High	t – 4		ns
T _{WHAX}	AD15:8, CSx# Hold after WR# High	40 MHz = t-9		ns (6)
T _{RHBX}	BHE#, INST Hold after RD# High	t – 5		ns (6)
T _{RHAX}	AD15:8, CSx# Hold after RD# High	t – 5		ns (6)
T _{WHSB}	A20:0, CSx# Hold after WR# High	– 0.5		ns
T _{RHSB}	A20:0, CSx# Hold after RD# High	0		ns
T _{AVYV}	AD15:0 Valid to READY Setup		2t – 55	ns (7)
T _{CLYX}	READY Hold after CLKOUT Low	0	2t – 45	ns (4,8,9)
T _{YLYH}	READY Low to READY High	No Upper Limit		ns

NOTES:

- 20MHz is the maximum input frequency when using an external crystal oscillator; however, 40MHz can be applied with an external clock source.
- Device is static by design, but has been tested only down to 16MHz.
- If wait states are used, add $2t \times n$, where n = number of wait states.
- Assumes CLKOUT is operating in divide-by-two mode ($f/2$).
- Assuming back-to-back bus cycles.
- 8-bit bus only.
- When forcing wait states using the BUSCONx register, add $2t \times n$, where n = number of wait states.
- Exceeding the maximum specification causes additional wait states.
- The first falling edge of READY is not synchronized to a CLKOUT edge; therefore, one programmed wait state is required.

Figure 4. System Bus Timing Diagram (Multiplexed Bus Mode)



A3252-01

6.2 AC Characteristics — Demultiplexed Bus Mode

Test Conditions: Capacitive load on all pins = 50 pF, Rise and Fall Times = 3 ns.

Table 8. AC Characteristics, Demultiplexed Bus Mode (Sheet 1 of 2)

Symbol	Parameter	Min	Max	Units
F _{XTAL1}	Frequency on XTAL1, PLL in 1x mode (disabled)	16	40	MHz (1,2)
	Frequency on XTAL1, PLL in 4x mode	6	10	MHz
f	Operating frequency, $f = F_{XTAL1}$; PLL in 1x mode (disabled)	16	40	MHz
	Operating frequency, $f = 2F_{XTAL1}$; PLL in 4x mode	24	40	MHz
t	Period, $t = 1/f$	25	62.5	ns
T _{AVDV}	Address Valid to Input Data Valid		4t – 40	ns (3)
T _{RLDV}	RD# Low to Input Data Valid		3t – 35	ns (3)
T _{AVWL}	Address Valid to WR# Low	t		ns
T _{AVRL}	Address Valid to RD# Low	t – 8		ns
T _{SLDV}	CSx# Low to Data Valid		4t – 40	ns (3)
T _{CHDV}	CLKOUT High to Input Data Valid		2t – 35	ns (4)
T _{RHRL}	Read High to Read Low	t – 5		ns
T _{RXDX}	Data Hold after RD# Inactive	0		ns
T _{XHCH}	XTAL1 High to CLKOUT High or Low	3	50	ns (4)
T _{CLCL}	CLKOUT Cycle Time	2t		ns (4)
T _{CHCL}	CLKOUT High Period	t – 10	t + 15	ns (4)
T _{CLLH}	CLKOUT High ALE Low	– 10	10	ns (4)
T _{LLCH}	ALE High to CLKOUT Low	– 15	15	ns (4)
T _{LHLH}	ALE Cycle Time	4t		ns (3,5)
T _{LHLL}	ALE High Period	t – 10	t + 10	ns
T _{RLCL}	RD# Low to CLKOUT Low	– 15	5	ns (4)
T _{RLRH}	RD# Low to RD# High	3t – 18		ns (3)
T _{RHLH}	RD# High to ALE Low	t – 4	t + 15	ns (5)
T _{WLCL}	WR# Low to CLKOUT Low	– 15	5	ns (4)
T _{QVWH}	Output Data Stable to WR# High	3t – 25		ns (5)
T _{CHWH}	CLKOUT High to WR# High	– 11	10	ns (4)

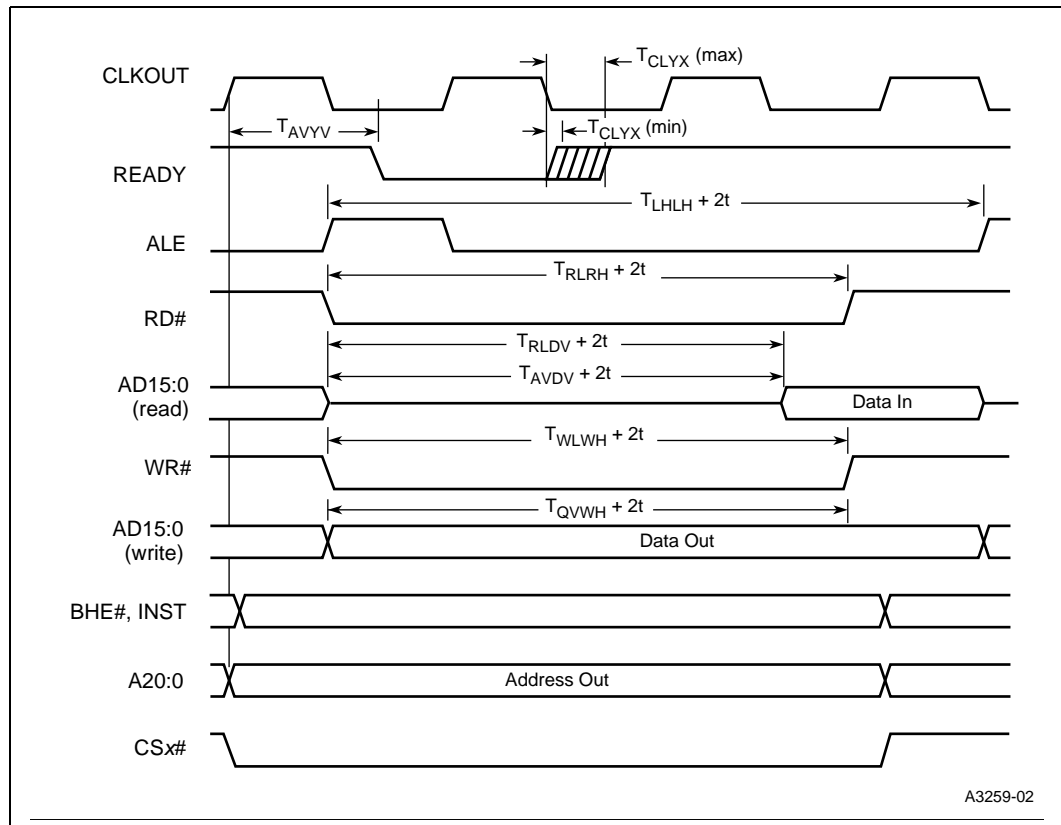
1. Device is static by design but has been tested only down to 16MHz.
2. 20MHz is the maximum input frequency when using an external crystal oscillator; however, 40MHz can be applied with an external clock source.
3. If wait states are used, add $2t \times n$, where n = number of wait states.
4. Assumes CLKOUT is operating in divide-by-two mode ($f/2$).
5. Assuming back-to-back bus cycles.
6. When forcing wait states using the BUSCON register, add $2t \times n$.
7. Exceeding the maximum specification causes additional wait states.
8. The first falling edge of READY is not synchronized to a CLKOUT edge; therefore, one programmed wait state is required.
9. 8-bit bus only.

Table 8. AC Characteristics, Demultiplexed Bus Mode (Sheet 2 of 2)

Symbol	Parameter	Min	Max	Units
T_{WLWH}	WR# Low to WR# High	$3t - 18$		ns (3)
T_{WHQX}	Output Data Hold after WR# High	$t - 2$	$t + 20$	ns
T_{WHLH}	WR# High to ALE High	$t - 5$	$t + 10$	ns (3)
T_{WHBX}	BHE#, INST Hold after WR# High	$t - 5$		ns
T_{WHAX}	A20:0, CSx# Hold after WR# High	0		ns
T_{RHBX}	BHE#, INST Hold after RD# High	$t - 5$		ns
T_{RHAX}	A20:0, CSx# Hold after RD# High	0		ns
T_{AVYV}	A20:0 Valid to READY Setup		$3t - 45$	ns (6)
T_{CLYX}	READY Hold after CLKOUT Low	0	$2t - 36$	ns (7,8,9)
T_{YLYH}	READY Low to READY High	No Upper Limit		ns

1. Device is static by design but has been tested only down to 16MHz.
2. 20MHz is the maximum input frequency when using an external crystal oscillator; however, 40MHz can be applied with an external clock source.
3. If wait states are used, add $2t \times n$, where n = number of wait states.
4. Assumes CLKOUT is operating in divide-by-two mode ($f/2$).
5. Assuming back-to-back bus cycles.
6. When forcing wait states using the BUSCON register, add $2t \times n$.
7. Exceeding the maximum specification causes additional wait states.
8. The first falling edge of READY is not synchronized to a CLKOUT edge; therefore, one programmed wait state is required.
9. 8-bit bus only.

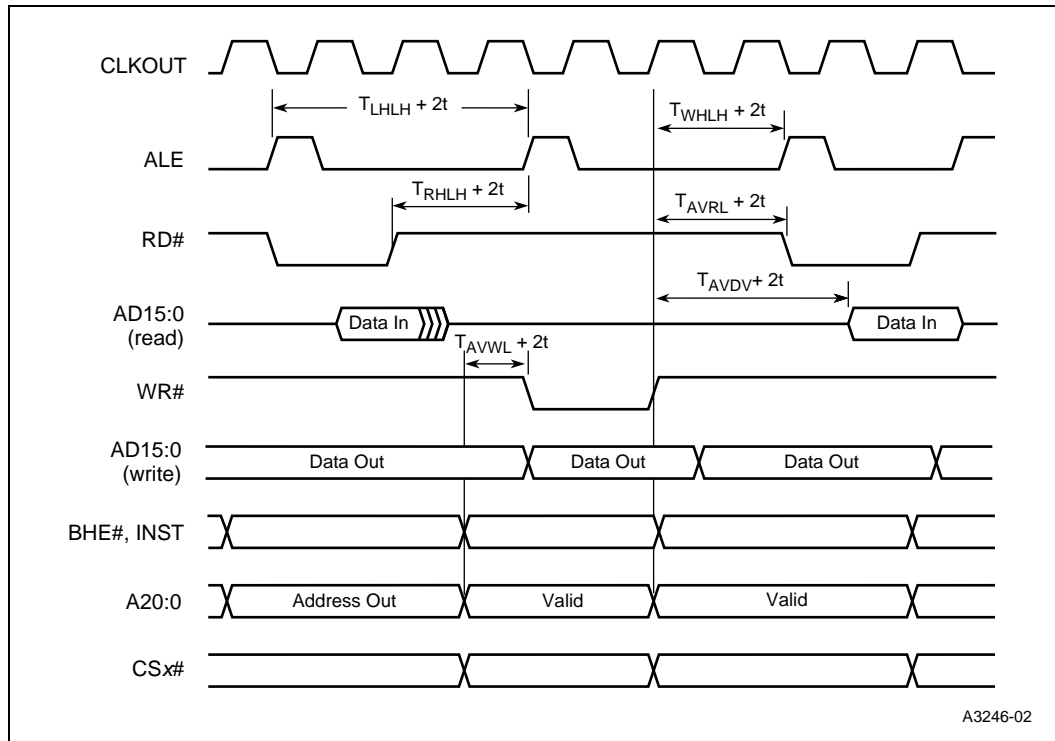
Figure 7. READY Timing Diagram (Demultiplexed Bus Mode)



6.3 Deferred Bus Timing Mode

The deferred bus cycle mode (enabled by setting CCR1.5) reduces bus contention when using the Intel® 88CO196EC in demultiplexed mode with slow memories. As shown in Figure 8, a delay of $2t$ occurs in the first bus cycle following a chip-select output change or the first write cycle following a read cycle.

Figure 8. Deferred Bus Mode Timing Diagram



6.4 AC Characteristics — Serial Port, Mode 0

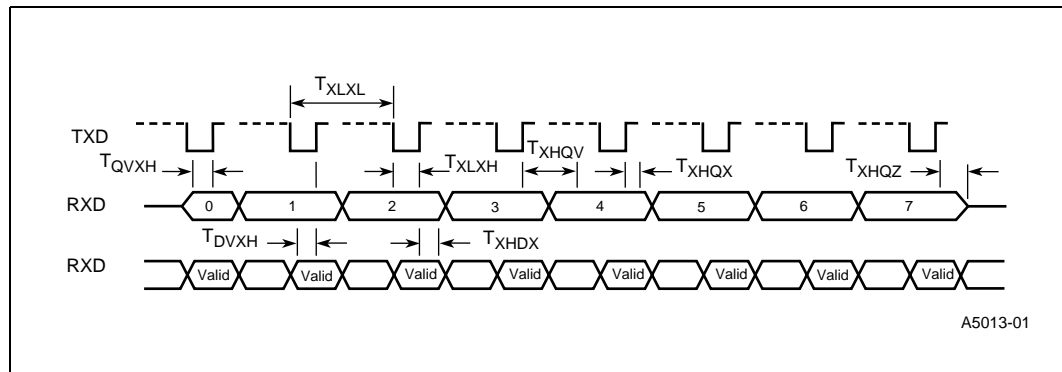
Table 9. Serial Port Timing — Mode 0[†]

Symbol	Parameter	Min	Max	Units
T_{XLXL}	Serial Port Clock period SP_BAUD \geq x002H SP_BAUD = x001H ^{††}	6t 4t		ns ns
T_{XLXH}	Serial Port Clock falling edge to rising edge SP_BAUD \geq x002H SP_BAUD = x001H ^{††}	4t - 27 2t - 27	4t + 27 2t + 27	ns ns
T_{QVXH}	Output data setup to clock high	4t - 30		ns
T_{XHQX}	Output data hold after clock high	2t - 30		ns
T_{XHQV}	Next output data valid after clock high		2t + 30	ns
T_{DVXH}	Input data setup to clock high	2t + 30		ns
T_{XHDX}	Input data hold after clock high	0		ns
T_{XHQZ}	Last clock high to output float		t + 30	ns

[†] These timings are not tested and not guaranteed.

^{††} The minimum baud-rate (SP_BAUD) register value for receptions is x002H and the minimum baud-rate (SP_BAUD) register value for transmissions is x001H.

Figure 9. Serial Port Waveform — Mode



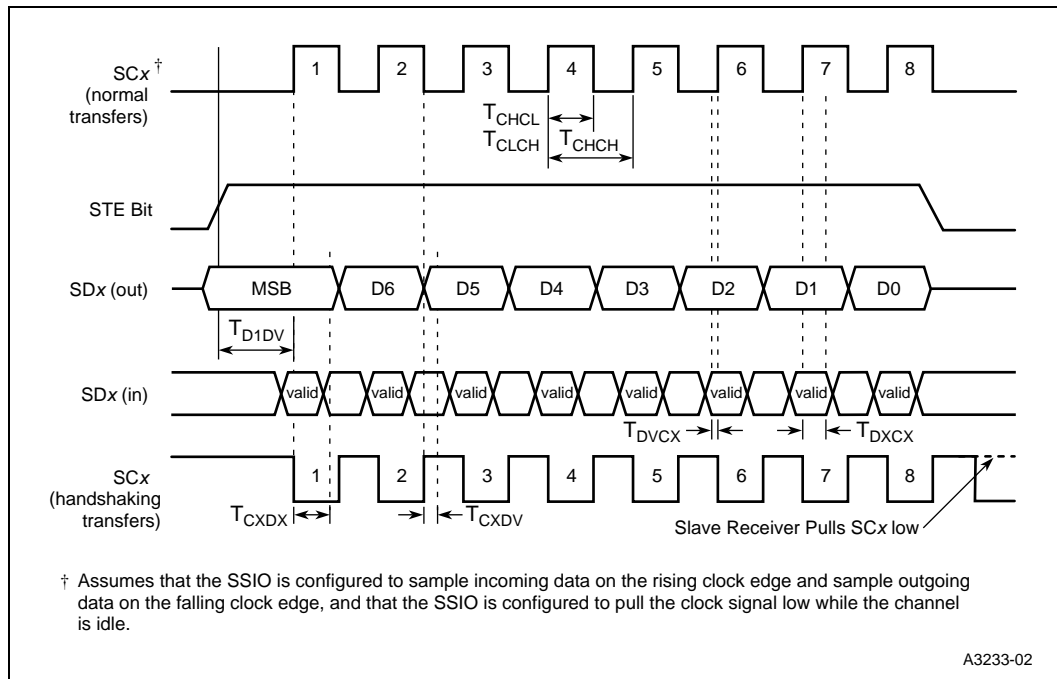
6.5 AC Characteristics — Synchronous Serial Port

Table 10. Synchronous Serial Port Timing

Symbol	Parameter	Min	Max	Units
T_{CLCL}	Synchronous Serial Port Clock period	4t		ns
T_{CLCH}	Synchronous Serial Port Clock falling edge to rising edge	2t - 10		ns
T_{D1DV}	Setup time for MSB output†	t		ns
T_{CLDX}	Output data change after clock low	0.5t	1.5t + 20	ns
T_{DVCX}	Setup time for input data	10		ns
T_{DXCX}	Input data hold after clock high	t + 5		ns

† Refer to the “Programming Considerations” section of chapter 9, “Synchronous Serial I/O Port” in the Intel® 88CO196EC CMOS 16-Bit Microcontroller 196EC User’s Manual.

Figure 10. Synchronous Serial Port

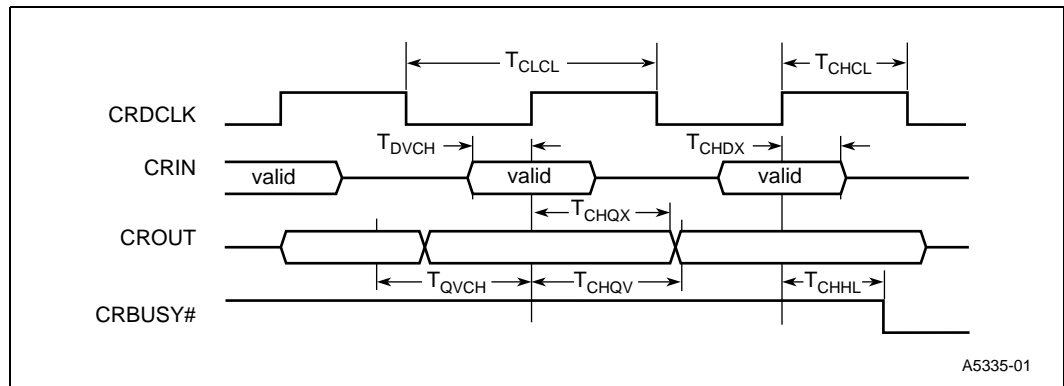


6.6 AC Characteristics — Serial Debug Unit

Table 11. Serial Debug Unit Timing

Symbol	Parameter	Min	Max	Units
T_{CLCL}	Code RAM clock cycle time	2t		ns
T_{CHCL}	Code RAM clock high period	t		ns
T_{DVCH}	Input data setup to clock high	10		ns
T_{CHDX}	Input data hold after clock high	t + 10		ns
T_{QVCH}	Output data setup to clock high	t - 10		ns
T_{CHQX}	Output data hold after clock high	t - 10		ns
T_{CHQV}	Next output data valid after clock high		t + 10	ns
T_{CHHL}	Last clock high to CRBUSY# low		3t + 20	ns

Figure 11. Serial Debug Unit



A5335-01

6.7 A/D Sample and Conversion Times

Two parameters, sample time and conversion time, control the time required for an A/D conversion. The sample time is the length of time that the analog input voltage is actually connected to the sample capacitor. If this time is too short, the sample capacitor will not charge completely. If the sample time is too long, the input voltage may change and cause conversion errors. The conversion time is the length of time required to convert the analog input voltage stored on the sample capacitor to a digital value. The conversion time must be long enough for the comparator and circuitry to settle and resolve the voltage. Excessively long conversion times allow the sample capacitor to discharge, degrading accuracy.

The AD_TIME register programs the A/D sample and conversion times. Use the T_{SAM} and T_{CONV} specifications in [Table 12](#) and [Table 14](#) to determine appropriate values for SAM and CONV; otherwise, erroneous conversion results may occur.

When the SAM and CONV values are known, write them to the AD_TIME register. Do not write to this register while a conversion is in progress; the results are unpredictable.

Use the following formulas to determine the SAM and CONV values.

$$SAM = \frac{T_{SAM} \times f - 2}{8}$$

$$CONV = \left[\frac{T_{CONV} \times f - 3}{2 \times B} \right] - 1$$

where:

SAM	equals a number, 1 to 7, to be written to the AD_TIME register
CONV	equals a number, 2 to 31, to be written to the AD_TIME register
T_{SAM}	is the sample time, in μsec (Table 12 and Table 14)
T_{CONV}	is the conversion time, in μsec (Table 12 and Table 14)
f	is the operating frequency, in MHz
B	is the number of bits to be converted (8 or 10)

6.7.1 AC Characteristics — A/D Converter, 10-Bit Mode

Table 12. 10-bit A/D Operating Conditions

Symbol	Description	Min	Max	Units	Notes
					1
T _C	Case Temperature	- 40	+ 125	°C	
V _{CC}	Digital Supply Voltage	4.75	5.25	V	
V _{REF}	Analog Supply Voltage	4.75	5.25	V	2
T _{SAM}	Sample Time	1.0		μs	3
T _{CONV}	Conversion Time	10.0	15.0	μs	3

NOTES:

1. ANGND and V_{SS} should nominally be at the same potential.
2. V_{REF} must not exceed V_{CC} by more than + 0.5 V because V_{REF} supplies both the resistor ladder and the analog portion of the converter and input port pins.
3. Program the AD_TIME register to meet the T_{SAM} and T_{CONV} specifications.

Table 13. 10-Bit Mode A/D Characteristics Over Specified Operating Conditions

Parameter	Typical ⁽²⁾	Min	Max	Units ⁽³⁾	Notes
					1
Resolution		1024 10	1024 10	Levels Bits	
Absolute Error		0	± 3.0	LSBs	
Full-scale Error	0.25 ± 0.5			LSBs	
Zero Offset Error	0.25 ± 0.5			LSBs	
Nonlinearity	1.0 ± 2.0		± 3.0	LSBs	
Differential Nonlinearity		- 0.75	+ 0.75	LSBs	
Channel-to-channel Matching	± 0.1	0	± 1.0	LSBs	
Repeatability	± 0.25	0		LSBs	
Temperature Coefficients:					
Offset	0.009			LSB/°C	
Full-scale	0.009			LSB/°C	
Differential Nonlinearity	0.009			LSB/°C	
Off-isolation		- 60		dB	2, 4, 5
Feedthrough	- 60			dB	2, 4
V _{CC} Power Supply Rejection	- 60			dB	2, 4
Input Series Resistance		750	1.2k	W	6
Voltage on Analog Input Pin		ANGND	V _{REF}	V	7
Sampling Capacitor	3.0			pF	
DC Input Leakage	± 100	0	± 300	nA	8

NOTES:

1. All conversions were performed with processor in idle mode.
2. Most devices will need these values at 25°C, but they are not tested or guaranteed.
3. An LSB, as used here, has a value of approximately 5 mV.
4. DC to 100 KHz.
5. Multiplexer break-before-make guaranteed.
6. Resistance from device pin, through internal multiplexer, to sample capacitor.
7. Applying voltage beyond these specifications will degrade the accuracy of other channels being converted.
8. 100 mV < V_{IN} < V_{REF} - 100 mV.

6.7.2 AC Characteristics — A/D Converter, 8-Bit Mode

Table 14. 8-Bit A/D Operating Conditions

Symbol	Description	Min	Max	Units	Notes
					1
T _C	Case Temperature	- 40	+ 125	°C	
V _{CC}	Digital Supply Voltage	4.75	5.25	V	
V _{REF}	Analog Supply Voltage	4.75	5.25	V	2
T _{SAM}	Sample Time	1.0		μs	3
T _{CONV}	Conversion Time	8.0	12.8	μs	3

NOTES:

1. ANGND and V_{SS} should nominally be at the same potential.
2. V_{REF} must not exceed V_{CC} by more than + 0.5 V because V_{REF} supplies both the resistor ladder and the analog portion of the converter and input port pins.
3. Program the AD_TIME register to meet the T_{SAM} and T_{CONV} specifications.

Table 15. 8-Bit Mode A/D Characteristics Over Specified Operating Conditions

Parameter	Typical ⁽²⁾	Min	Max	Units ⁽³⁾	Notes
					1
Resolution		256 8	256 8	Levels Bits	
Absolute Error		0	± 1.0	LSBs	
Full-scale Error	± 0.5			LSBs	
Zero Offset Error	± 0.5			LSBs	
Nonlinearity		0	± 1.0	LSBs	
Differential Nonlinearity		- 0.5	+ 0.5	LSBs	
Channel-to-channel Matching		0	± 1.0	LSBs	
Repeatability	± 0.25	0		LSBs	
Temperature Coefficients:					
Offset	0.003			LSB/°C	
Full-scale	0.003			LSB/°C	
Differential Nonlinearity	0.003			LSB/°C	
Off Isolation		- 60		dB	2, 4, 5
Feedthrough	- 60			dB	2, 4
V _{CC} Power Supply Rejection	- 60			dB	2, 4
Input Series Resistance		750	1.2K	Ω	6
Voltage on Analog Input Pin		ANGND	V _{REF}	V	7
Sampling Capacitor	3.0			pF	
DC Input Leakage	100	0	300	nA	8

NOTES:

1. All conversions were performed with processor in idle mode.
2. Most parts will need these values at 25°C, but they are not tested or guaranteed.
3. An LSB, as used here, has a value of approximately 5 mV.
4. DC to 100 KHz.
5. Multiplexer break-before-make guaranteed.
6. Resistance from device pin, through internal multiplexer, to sample capacitor.
7. Applying voltage beyond these specifications will degrade the accuracy of other channels being converted.
8. 100 mV < V_{IN} < V_{REF} - 100 mV.

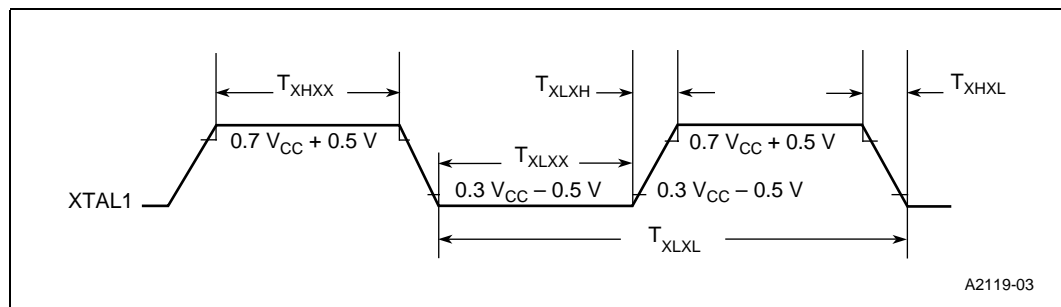
6.8 External Clock Drive

Table 16. External Clock Drive

Symbol	Parameter	Min	Max	Units
F _{XTAL1}	Frequency on XTAL1 (1/T _{XLXL}), PLL in 1x mode (disabled)	16	40 [†]	MHz
	Frequency on XTAL1 (1/T _{XLXL}), PLL in 4x mode	6	10	MHz
T _{XTAL1}	Oscillator Period (T _{XLXL})	25	62.5	ns
T _{XHXX}	High Time	0.35T _{XTAL1}	0.65T _{XTAL1}	ns
T _{XLXX}	Low Time	0.35T _{XTAL1}	0.65T _{XTAL1}	ns
T _{XLXH}	Rise Time		10	ns
T _{XHXL}	Fall Time		10	ns

[†] 20 MHz is the maximum input frequency when using an external crystal oscillator; however, 40 MHz can be applied with an external clock source.

Figure 12. External Clock Drive Waveforms



A2119-03

6.9 Test Output Waveforms

Figure 13. AC Testing Output Waveforms

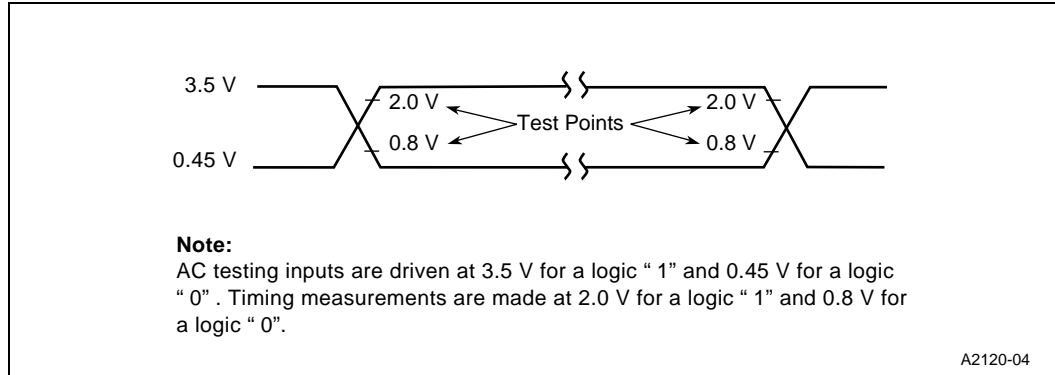
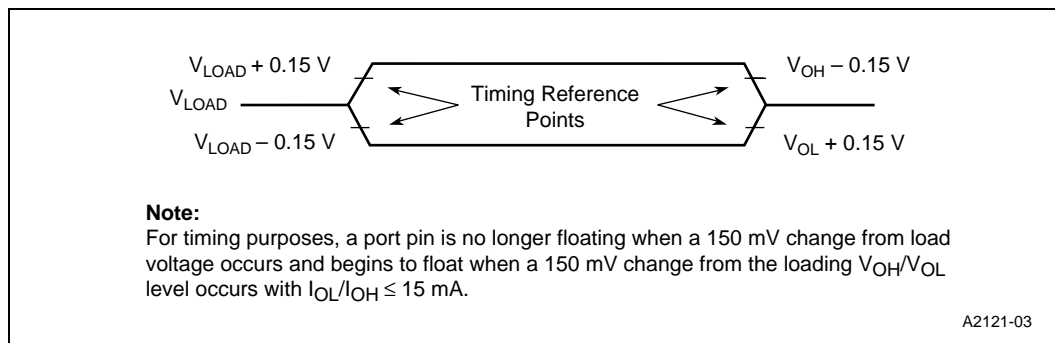


Figure 14. Float Waveforms During 5.0 Volt Testing



6.10 Flash Memory Erase Performance

Table 17. Flash Memory Erase Performance

Parameter	Note	Min	Typical (see note)	Max	Unit
Flash erase time			2	10	Sec.

NOTE: Typical values are based on limited number of samples and are not guaranteed. The values listed are at room temperature with $V_{CC} = 5 V$; $V_{PP} = 12 V$.

7.0 Thermal Characteristics

All thermal impedance data is approximate for static air conditions at 1 watt of power dissipation. Values will change depending on operating conditions and the application. The Intel *Packaging Handbook* (order number 240800) describes Intel's thermal impedance test methodology. The *Components Quality and Reliability Handbook* (order number 210997) provides quality and reliability information.

Table 18. Thermal Characteristics

Package Type	θ_{JA}	θ_{JC}
132-pin PQFP with heat spreader	29.5 °C/W	9 °C/W

