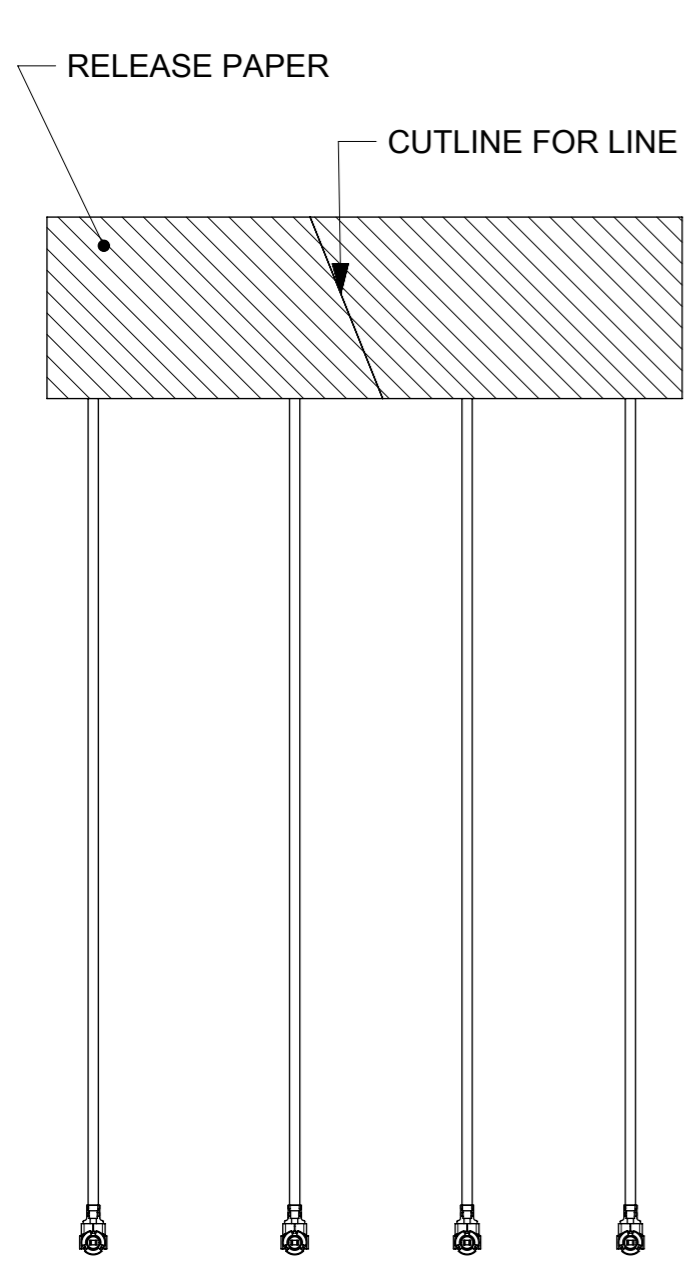
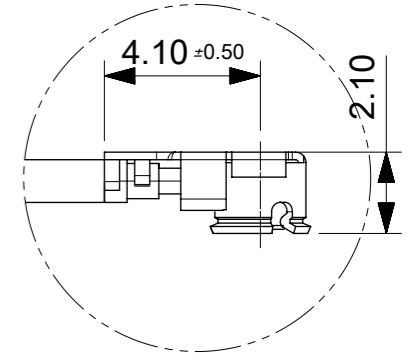
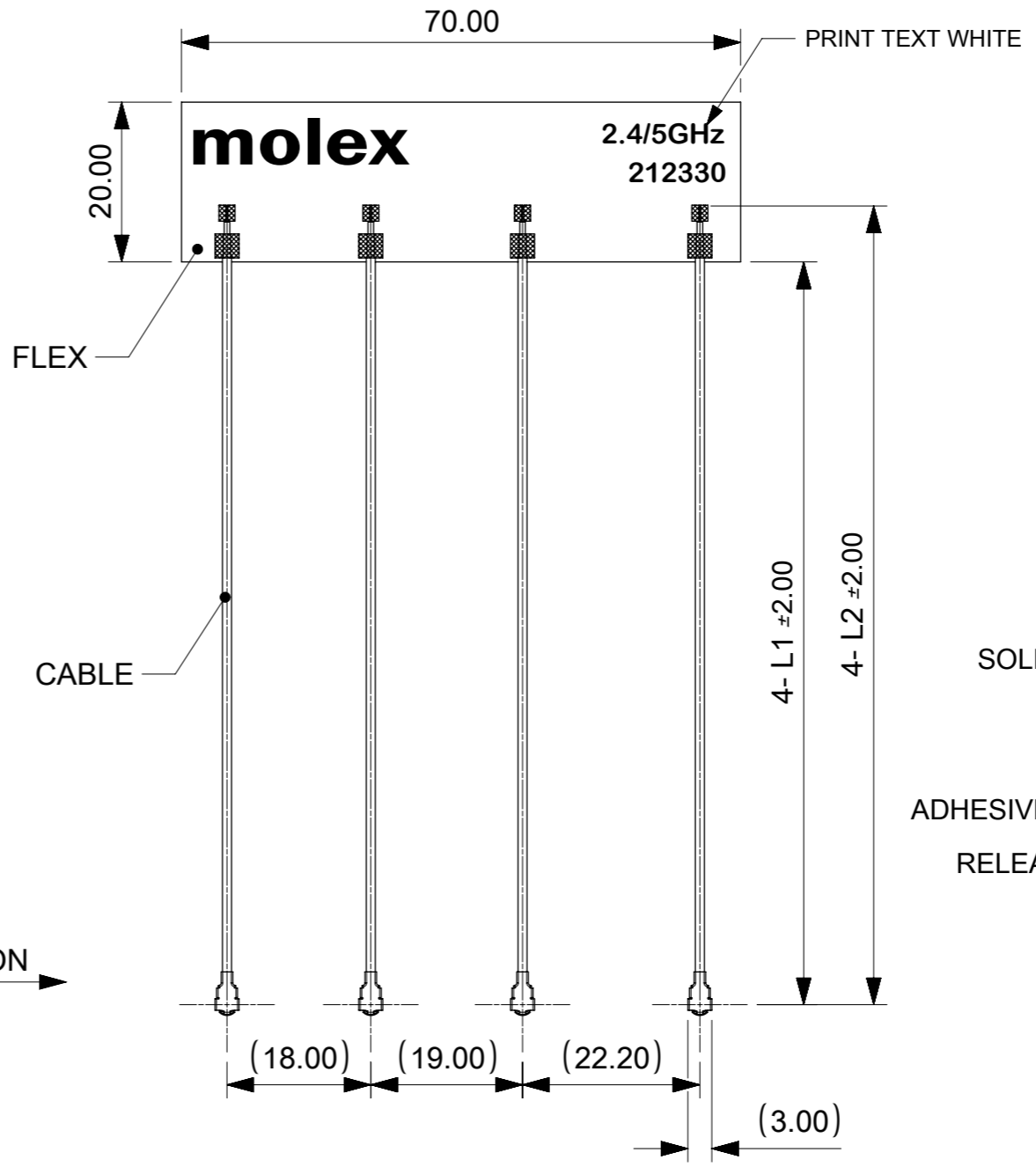
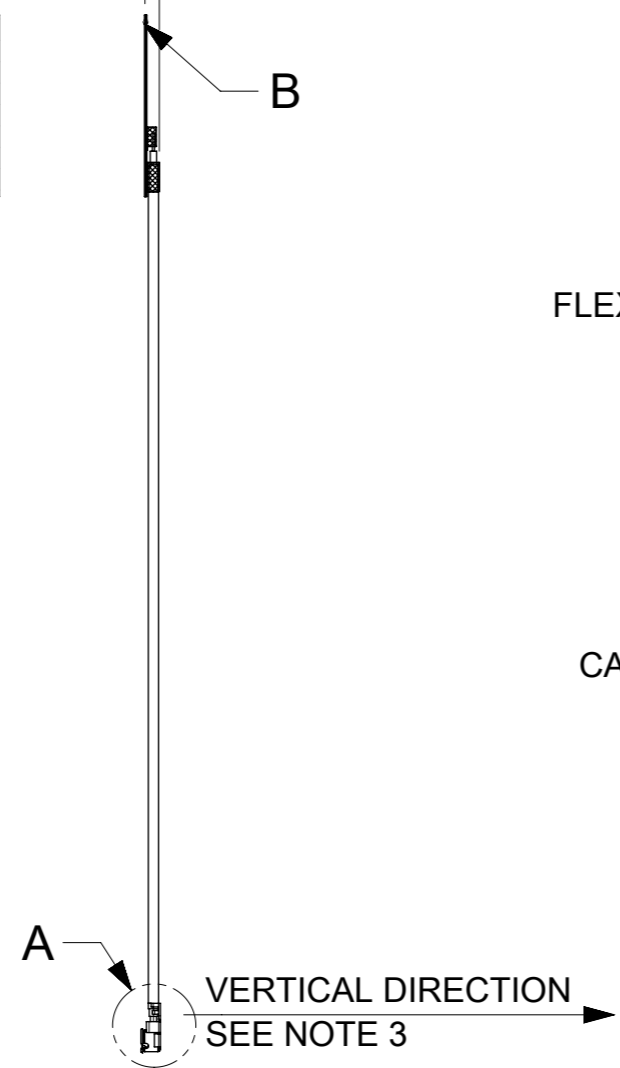


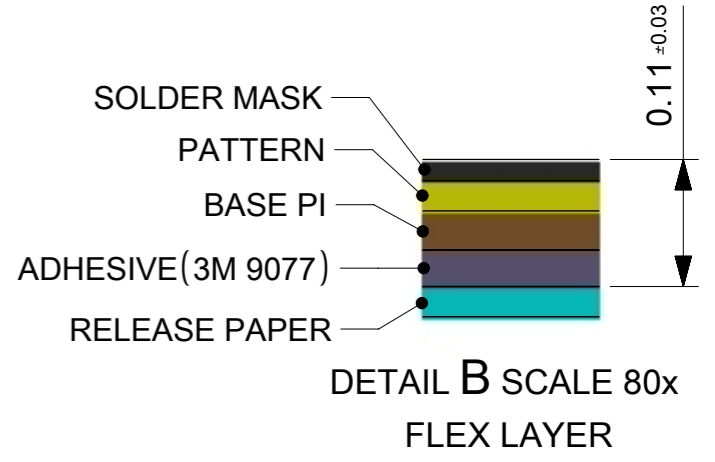
REV	DATE	DESCRIPTION
A	2019/08/13	NEW RELEASE



4- 2.00 mm MAX WITH SOLDER PASTE
(INCLUDE FLEX)



DETAIL A SCALE 5:1
CONNECTOR



DETAIL B SCALE 80x
FLEX LAYER

ITEM	MATERIAL NO.	CABLE LENGTH"L1"	CABLE LENGTH"L2"
1	2123300100	93mm	100mm
2	2123300150	143mm	150mm
3	2123300200	193mm	200mm

- NOTES:
- MATERIAL:FLEX 70*20mm
CABLE:Ø1.13 mm
CONNECTOR: COMPATIBLE U.FL & I-PEX MHF I.(PLUG GOLD PLATED)
 - SOLDER MASK:BLACK.
 - FOR PULL TEST, CAN NOT LIFT UP IN THE VERTICAL DIRECTION.
 - THE CONNECTOR WILL BE PROTECTED WITH A CAP.

SYMBOLS DIMENSION UNITS: mm SCALE: 1:1 GENERAL TOLERANCES (UNLESS SPECIFIED) ANGULAR TOL ± ° 4 PLACES ± 3 PLACES ± 0.2 2 PLACES ± 0.25 1 PLACE ± 0.3 0 PLACES ± 0.5 DRAFT WHERE APPLICABLE MUST REMAIN WITHIN DIMENSIONS THIRD ANGLE PROJECTION	THIS DRAWING CONTAINS INFORMATION THAT IS PROPRIETARY TO MOLEX ELECTRONIC TECHNOLOGIES, LLC AND SHOULD NOT BE USED WITHOUT WRITTEN PERMISSION		CURRENT REV DESC:			
	EC NO: 622435		2019/08/13			2.4/5GHZ MIMO 4X4 FLEXIBLE ANTENNA
	DRWN: KCHENG06		2019/08/15			
	CHK'D: XJSONG		2019/08/15			
APPR: XJSONG		2019/08/15		PRODUCT CUSTOMER DRAWING		
INITIAL REVISION:		2019/08/13		DOCUMENT NUMBER	DOC TYPE	
DRWN: KCHENG06		2019/08/15		2123300100	PSD	
APPR: XJSONG		2019/08/15		000	A	
MATERIAL NUMBER		CUSTOMER		SHEET NUMBER		
SEE TABLE		GENERAL MARKET		1 OF 1		