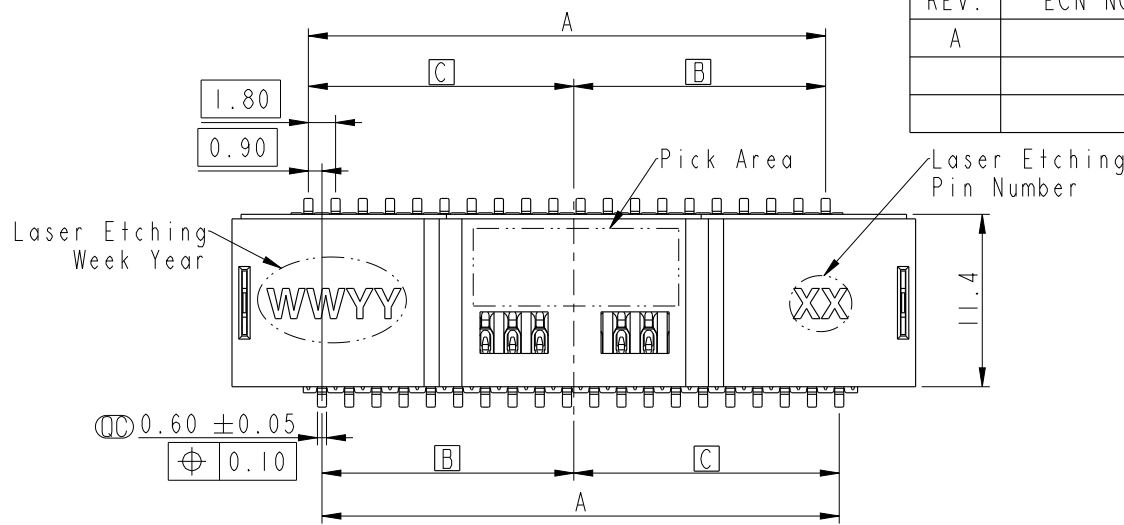
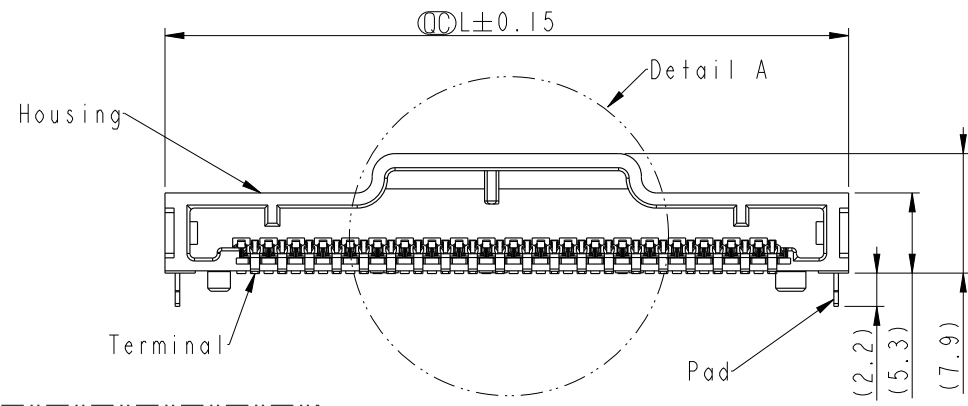


THIS DOCUMENT IS SUBJECT TO CHANGE WITHOUT NOTICE. IT IS CONFIDENTIAL AND A PROPERTY OF Amphenol LTW. DISCLOSURE TO THIRD PARTY HAS TO BE AUTHORIZED BY Amphenol LTW.

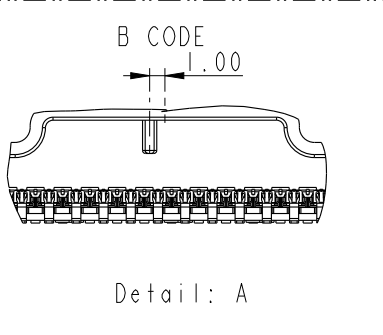
REV.	ECN NO.	DATE	SIGN	DESCRIPTION
A		2023/01/11	Xiaofeng	New Initial



ZCONNECT SIZE				
PIN	L(mm)	A(mm)	B(mm)	C(mm)
36	41.6	30.6	14.85	15.75
38	43.4	32.4	16.65	15.75
40	45.2	34.2	16.65	17.55



Z2BI-XX AFRS-BA0001
 XX-Number of Contacts



- Note:
- * \varnothing Important Dimensions To Check.
 - * Housing: Thermoplastic·Black.
 - * Terminal: Copper Alloy·Gold Plated.
 - * Pad: Metal.

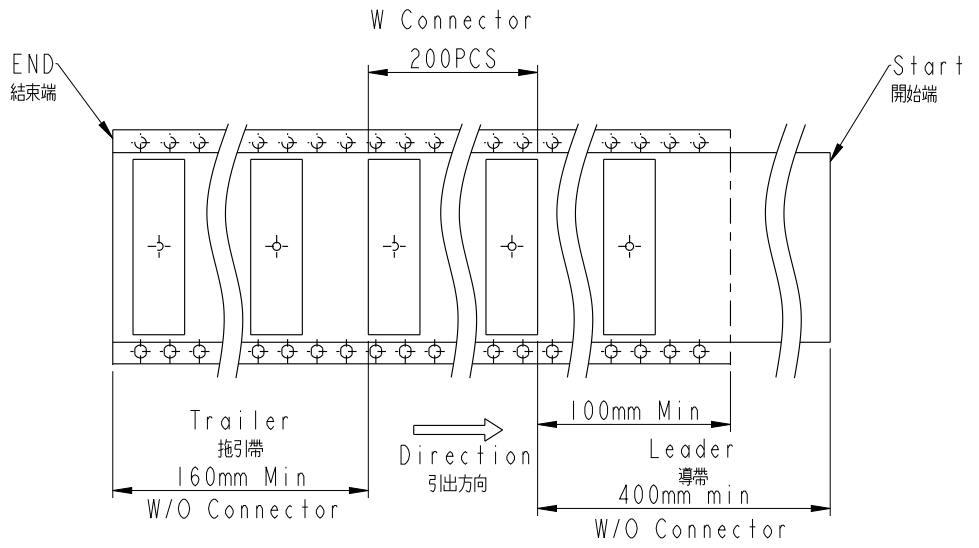
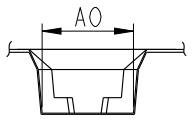
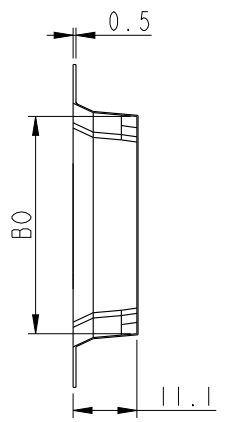
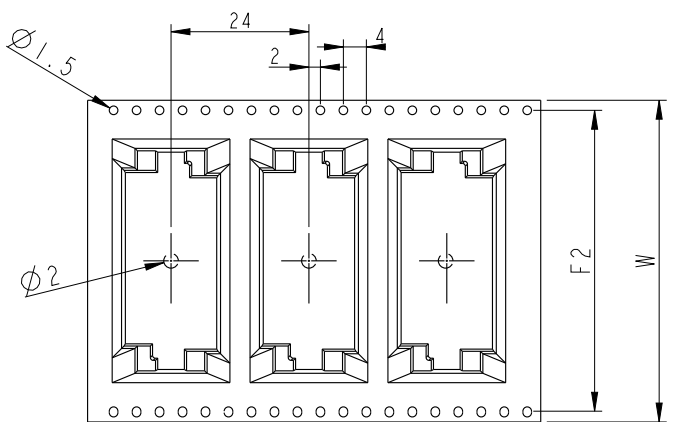
UNIT:mm		TITLE	Z CONN., N SHLD, P 0.9, F SMD		
TOLERANCE		SCALE	SIZE	SHEET	OF
.X	± 0.25	1:1	A4	1	4
.XX	± 0.1	REV.	WC-REV.		
.XXX	± 0.05	A	.0	\varnothing Inspection item	
ANGLES	$\pm 1^\circ$				

Amphenol LTW
 安費諾亮泰企業股份有限公司

ITEM NO.	DRAWN BY	DATE
	Xiaofeng	2023/01/11
DWG NO.	CHECKED BY	DATE
Z2BI-XXAFRS-BA0001	Feng-Li	2023/01/11
CUSTOMER	APPROVED BY	DATE
ALTW	Jerry	2023/01/11

THIS DOCUMENT IS SUBJECT TO CHANGE WITHOUT NOTICE. IT IS CONFIDENTIAL AND A PROPERTY OF AMPHENOL LTW. DISCLOSURE TO THIRD PARTY HAS TO BE AUTHORIZED BY AMPHENOL LTW.

Packing:



PIN	B0(mm)	W(mm)	F2(mm)	A0(mm)
36	41.9	72	68.4	
38	43.7			
40	45.5			

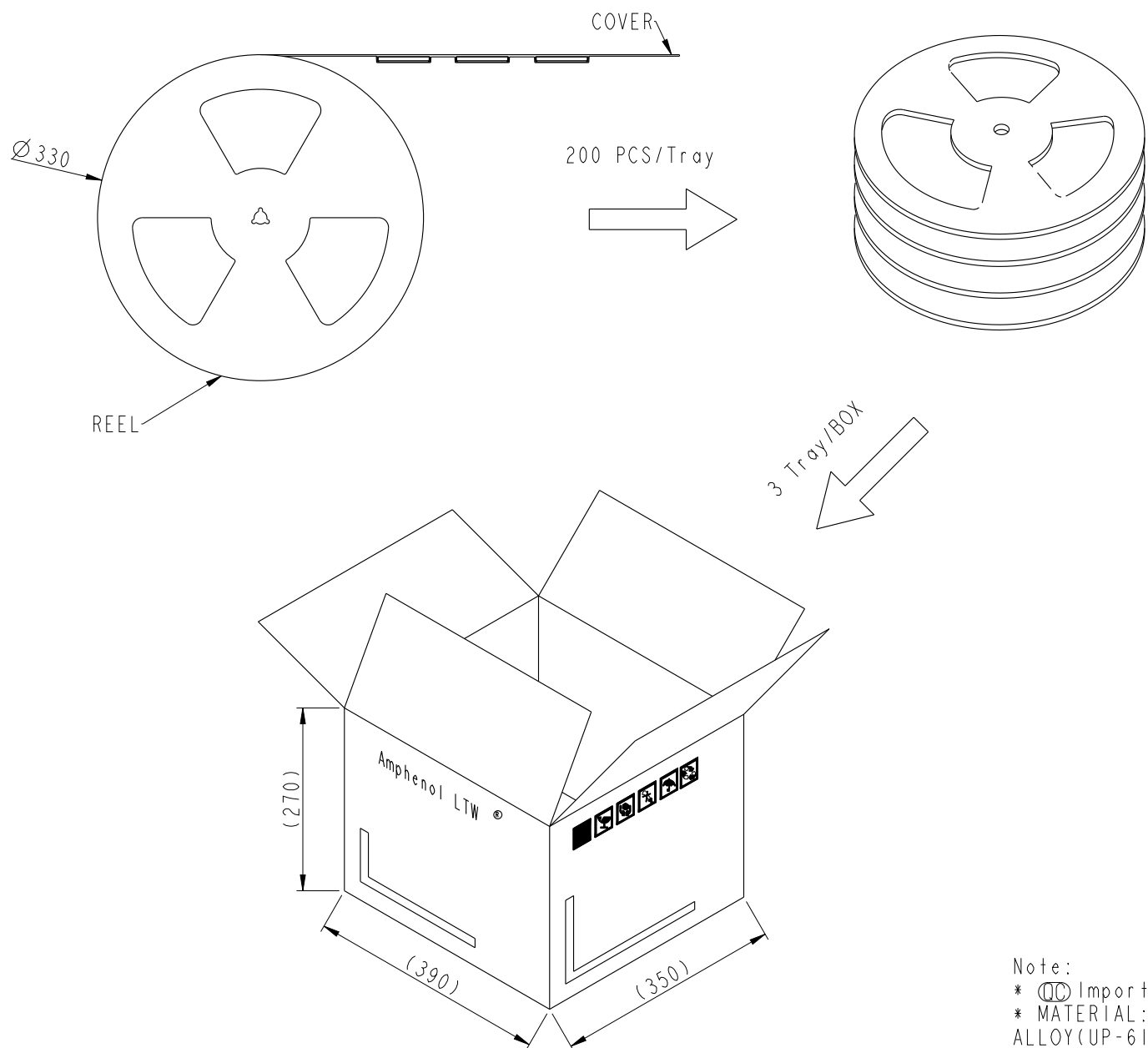
UNIT: mm		
TOLERANCE	.X ±0.25	
	.XX ±0.1	
	.XXX ±0.05	
ANGLES	±1°	

TITLE Z CONN., N SHLD, P 0.9, F SMD			
SCALE 1:1	SIZE A4	SHEET 3 OF 4	
REV. A	WC-REV. .0	☉: Inspection item	

Amphenol LTW
安費諾亮泰企業股份有限公司

ITEM NO	DRAWN BY Xiaofeng	DATE 2023/01/11
DWG NO Z2B1-XXAFRS-BA0001	CHECKED BY Feng-Li	DATE 2023/01/11
CUSTOMER ALTW	APPROVED BY Jerry	DATE 2023/01/11

THIS DOCUMENT IS SUBJECT TO CHANGE WITHOUT NOTICE. IT IS CONFIDENTIAL AND A PROPERTY OF Amphenol LTW. DISCLOSURE TO THIRD PARTY HAS TO BE AUTHORIZED BY Amphenol LTW.



Note:
 * \varnothing Important Dimensions To Check.
 * MATERIAL: BLACK CONDUCTIVE POLYSTYRENE ALLOY(UP-6100).

A	UNIT: mm			TITLE Z CONN., N SHLD, P 0.9, F SMD			ITEM NO		DRAWN BY	DATE
	TOLERANCE .X ±0.25 .XX ±0.1 .XXX ±0.05 ANGLES ±1°	SCALE 2:1	SIZE A4	SHEET 4	OF 4	DWG NO Z2B1-XXAFRS-BA0001		CHECKED BY	DATE	
	REV. A	WC-REV. .0	\varnothing : Inspection item		CUSTOMER ALTW		APPROVED BY	DATE		
								Xiaofeng	2023/01/11	
								Feng-Li	2023/01/11	
								Jerry	2023/01/11	

Amphenol LTW
 安費諾亮泰企業股份有限公司