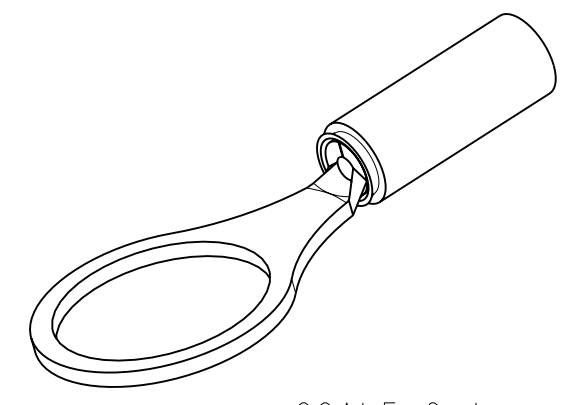
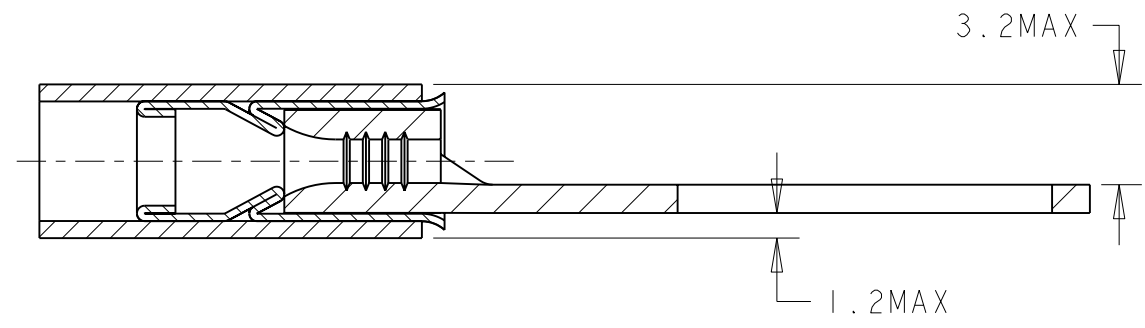


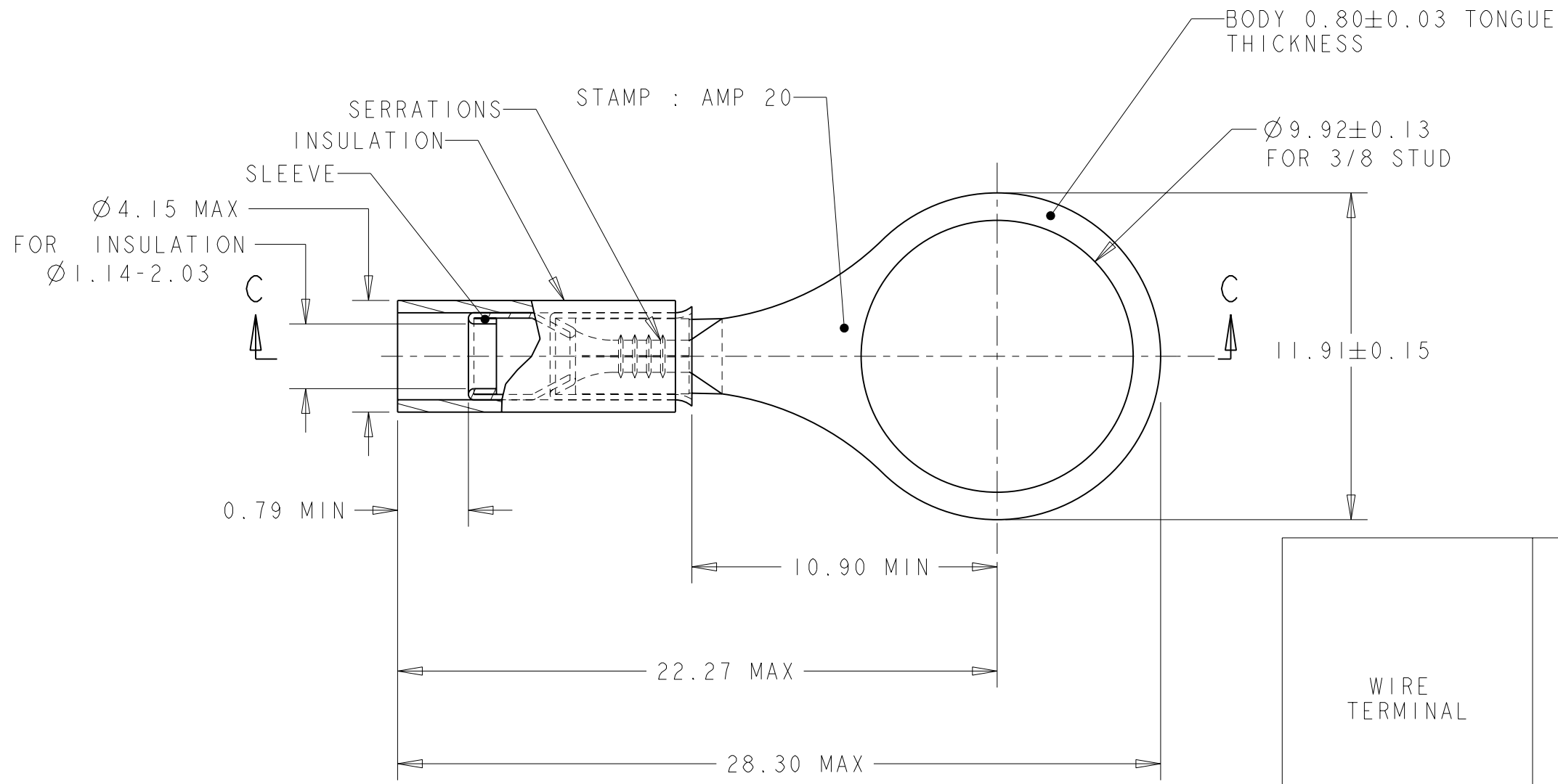
THIS DRAWING IS UNPUBLISHED. RELEASED FOR PUBLICATION 20
 © COPYRIGHT 20 BY TYCO ELECTRONICS CORPORATION. ALL RIGHTS RESERVED.

LOC	DIST	REVISIONS			
P	LTR	DESCRIPTION	DATE	DWN	APVD
F	00	B	09JUN2006	JJD	YP
		C	25OCT2007	JT	GR

COUPE C-C



SCALE 3:1



WIRE TERMINAL	1577629-1	BODY : COPPER ANNEALED FINISH : NICKEL PLATED
		SLEEVE : COPPER ANNEALED FINISH : NICKEL PLATED
		INSULATION : PEEK COLOR : GREY
DESCRIPTION	PART NUMBER	MATERIAL & FINISH

<small>THIS DRAWING IS A CONTROLLED DOCUMENT FOR TYCO ELECTRONICS CORPORATION IT IS SUBJECT TO CHANGE AND THE CONTROLLING ENGINEERING ORGANIZATION SHOULD BE CONTACTED FOR THE LATEST REVISION.</small>		DWN 02NOV2005 JJ. DESPRETZ		TYCO ELECTRONICS France SAS BP 30039, 95301 CERGY-PONTOISE Cedex	
DIMENSIONS: mm		TOLERANCES UNLESS OTHERWISE SPECIFIED: 0 PLC ±- 1 PLC ±0.3 2 PLC ±- 3 PLC ±- 4 PLC ±- ANGLES ±5 FINISH SEE TABLE		CHK 02NOV2005 G. ROBERT	
		APVD 02NOV2005 Y. PETRONIN		NAME TERMINAL, PEEK PIDG STRATO, 20 AWG	
MATERIAL SEE TABLE		PRODUCT SPEC 108-15356		APPLICATION SPEC 114-15102	
		WEIGHT 0,84 gr		SIZE CAGE CODE DRAWING NO RESTRICTED TO A3 00779 C-1577629 -	
CUSTOMER DRAWING				SCALE 5:1 SHEET 1 OF 1 REV C	