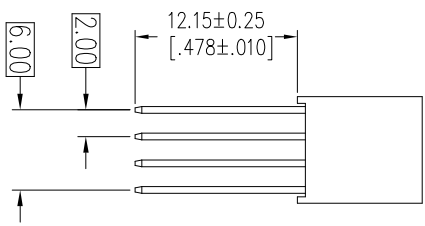


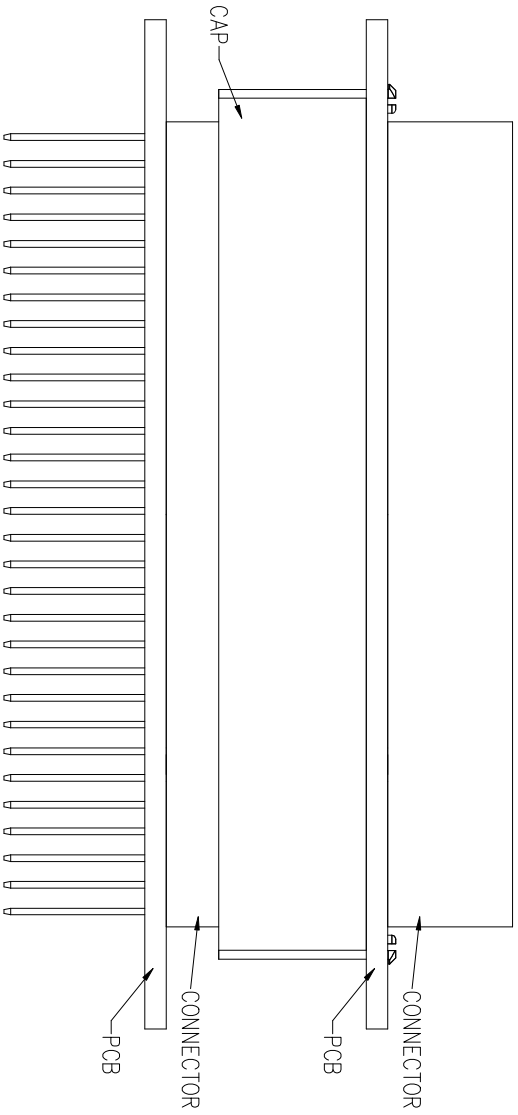
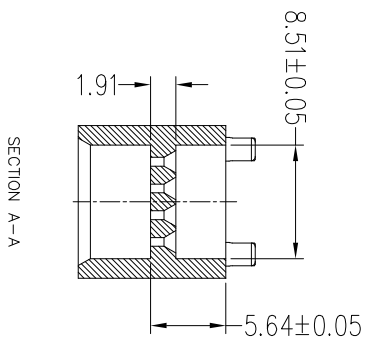
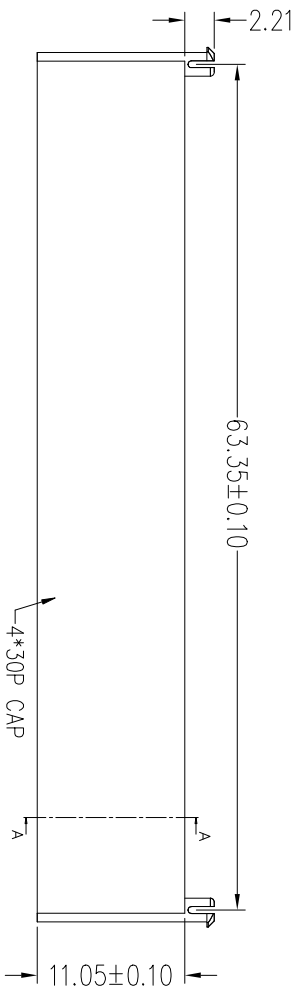
Recommended P.C.B Layout (Top Side)
(PCB BOARD TOLERANCE ± 0.05)

NOTES:

1. MATERIAL:
INSULATION MATERIAL: PA9T+33%GF UL94V-0
CONTACT MATERIAL: PHOSPHER BRONZE
CONTACT PLATING: NICKEL UNDERPLATE, GOLD REFER TO ORDERING CODE
 2. OPERATION TEMPERATURE: -55°C TO +105°C
 3. THE INSULATION CAN WITHSTAND WAVE SOLDERING 260°C FOR 5 SECONDS
 4. INSULATION RESISTANCE: 5000MΩ AT 1000V AC/MIN
 5. WITHSTAND VOLTAGE: 800V AC/DC
 6. RATED VOLTAGE: 12V, RATED CURRENT: 1AMP
 7. CONTACT RESISTANCE: 30mΩ MAX
 8. PRODUCT SPEC: GS-12-1544, PACKING SPEC: GS-14-2677
 9. ORDERING CODE: 10153304-XX X X X LF
NO. OF PINS
02~40: PER ROW 02~40PIN
- TYPE CODE
1: FINISHED GOODS WITHOUT CAP
2: FINISHED GOODS WITH CAP(PN:10153824)
- LEAD FREE
PACKAGE
1: TUBE
CONTACT FINISH
1: GOLD FLASH OVER NICKEL
2: 10u" GOLD AT MATING AREA+3u" Gold AT TAIL



mat'l. code	surface	tolerance	projection	product family
ISO 1302	ISO 406	ISO 1104	PC104	
tolerances unless otherwise specified		1104		
angles:	.XX±.25	mm	title	
linear:	.XXX±.15	scale 1:1	2.00pitch PC104 4row vertical DIP	
3±x'			dwg no	
dr Jason Wang 2019-06-20			sheet 1 of 2 size	
engf Jason Wang 2019-07-15			10153304	
chr -			A3	
pppd TIM YAO 2019-07-15			type Product Customer Drawing	
sheet revision A				
index sheet 1				



MATED STATUS

1. CAP IS OPTIONAL
 2. MATED WITH 10153304-301XXLF
 3. ORDERING CODE: 10153824-XX X LF
- NO. OF PINS
30: PER ROW 30PIN
- LEAD FREE
PACKAGE
1: TUBE

mat'l. code	ISO 1302	tolerance	ISO 406	ISO 1101	projection	product family	PC104
tr ecn no dr date	tolerances unless otherwise specified		.XX±.25		mm	title	2.00pitch PC104 4row vertical DIP
A New Release JASON	2019-06-20	angles	.XXX±.15	scale	1:1	dwg no	10153304
dr	Jason Wang	2019-06-20	3±x'	chr	-	sheet 2 of 1	size A3
engr	Jason Wang	2019-06-20	qppd	TIM YAO	2019-06-20	type	Product Customer Drawing
sheet index	revision A	sheet 1					