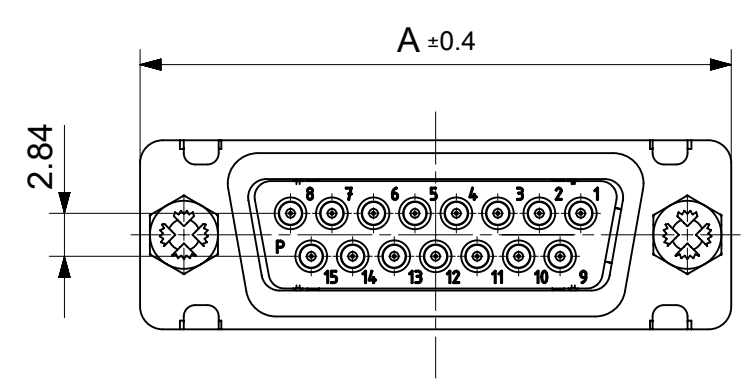
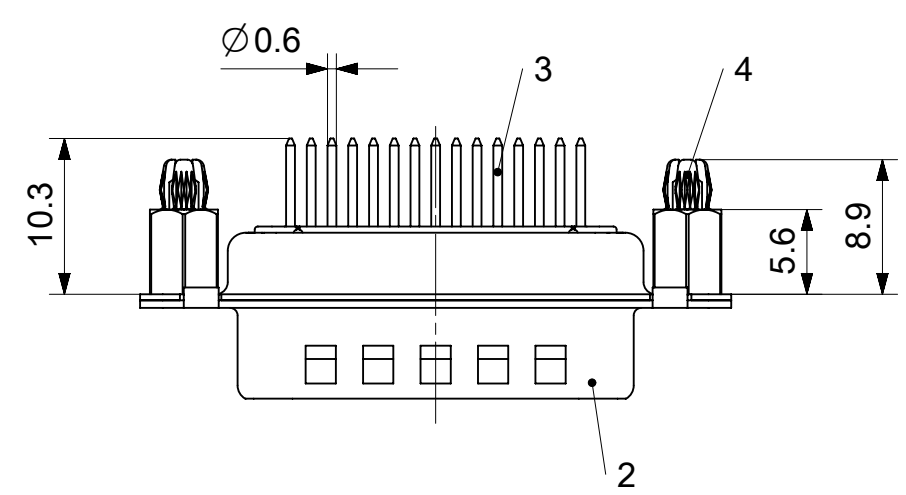
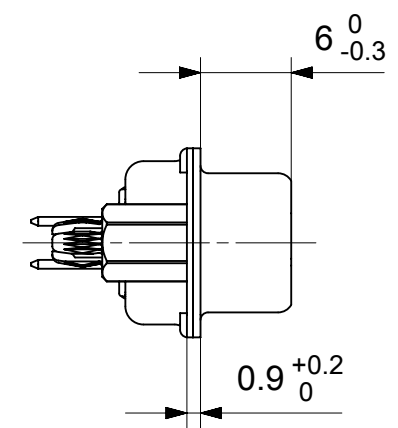
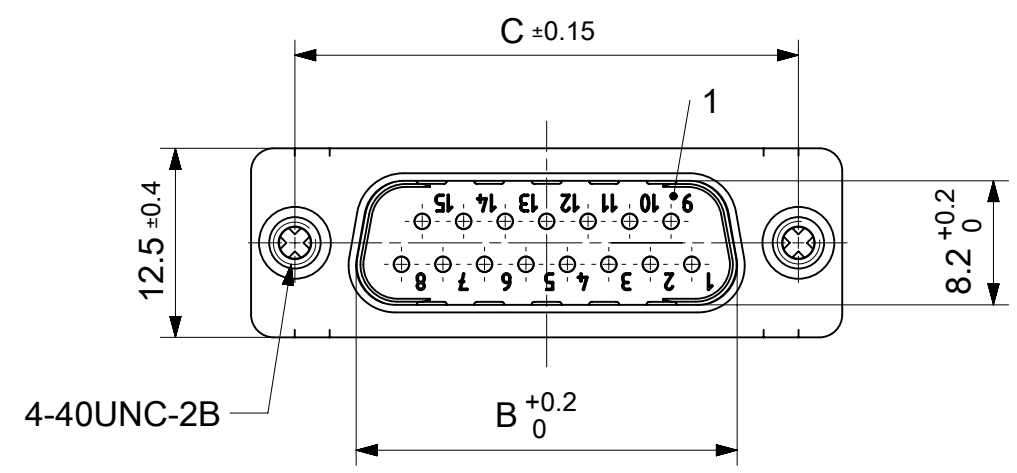


RoHS compliant
by exemption



FCT Part number:
Fxx*1)P1y*2)-0981
e.g. F15P1G1-0981
*1) xx No. of contacts 09, 15, 25 or 37
*2) y for performance classes 1, 2 or 3
(contact cycle for G1/G2/G3 = 500/200/50)

| Material Number | xx*1) | y*2) | A[mm] | B[mm] | C[mm] | *E[mm] | *F[mm] |
|-----------------|-------|------|-------|-------|-------|--------|--------|
| 1731091046 | 09 | G1 | 30.8 | 16.9 | 25 | Ø1 | Ø3 |
| 1731090353 | | G2 | | | | | |
| 1731091246 | 15 | G1 | 39.1 | 25.2 | 33.3 | | |
| 1731090426 | | G2 | | | | | |
| 1731091394 | 25 | G1 | 53 | 38.9 | 47.04 | | |
| 1731090427 | | G2 | | | | | |
| 1731091508 | 37 | G1 | 69.3 | 55.3 | 63.5 | | |
| 1731091962 | | G2 | | | | | |

*PCB hole patterns ØE, ØF see document 2195600023

| No. | Pc. | Part | Type Description/Material | Surface plating/Color/Class |
|-----|-----|----------------|------------------------------------|-----------------------------|
| 4 | 2 | Snap-in bolt | PCB 1.6mm / Brass | tin plated |
| 3 | xx | Signal contact | P1 / Brass | G1 / G2 |
| 2 | 1 | Shell | Steel | tin plated |
| 1 | 1 | Insulator | PBT (-55°C to +125°C) acc. UL94V-0 | white |

MEASUREMENTS WITHOUT TOLERANCE ACC TO ISO 2768-m

REPLACEMENT FOR DOCUMENT NUMBER: FxxP1Gy-0981

FUNCTIONAL SYMBOLS: THIS DRAWING CONTAINS INFORMATION THAT IS PROPRIETARY TO MOLEX ELECTRONIC TECHNOLOGIES, LLC AND SHOULD NOT BE USED WITHOUT WRITTEN PERMISSION

SCALE: 2:1

GENERAL TOLERANCES (UNLESS SPECIFIED):

ANGULAR TOL ± °

4 PLACES ±

3 PLACES ±

2 PLACES ±

1 PLACE ±

0 PLACES ±

DIVISIONAL SYMBOLS:

DRAFT WHERE APPLICABLE MUST REMAIN WITHIN DIMENSIONS

FIRST ANGLE PROJECTION

DRAWING: A3-SIZE

SERIES: 173109

MATERIAL NUMBER: SEE TABLE

CUSTOMER: GENERAL MARKET

SHEET NUMBER: 1 OF 1

EC NO: 706086

DRWN: SKANDB 2021/11/25

CHK'D: MTEUBEL 2022/05/11

APPR: MTEUBEL 2022/05/11

INITIAL REVISION:

DRWN: SKANDB 2021/11/25

APPR: MTEUBEL 2022/05/11

DOCUMENT NUMBER: 1731091046

DOC TYPE: PSD

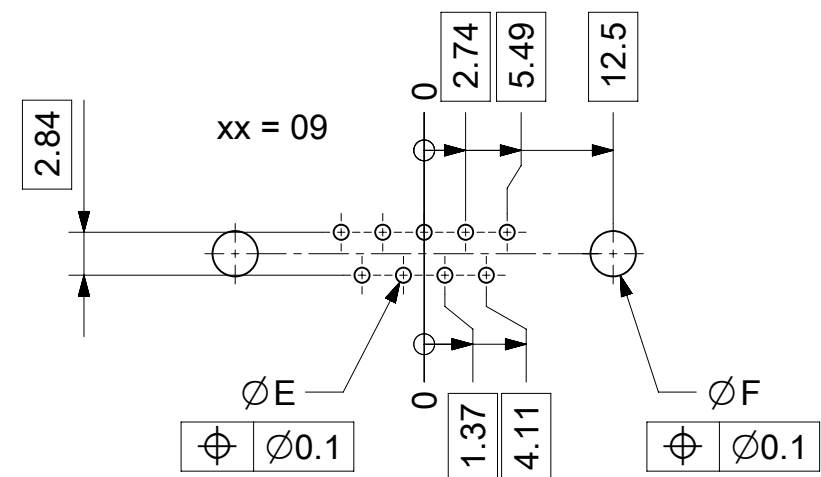
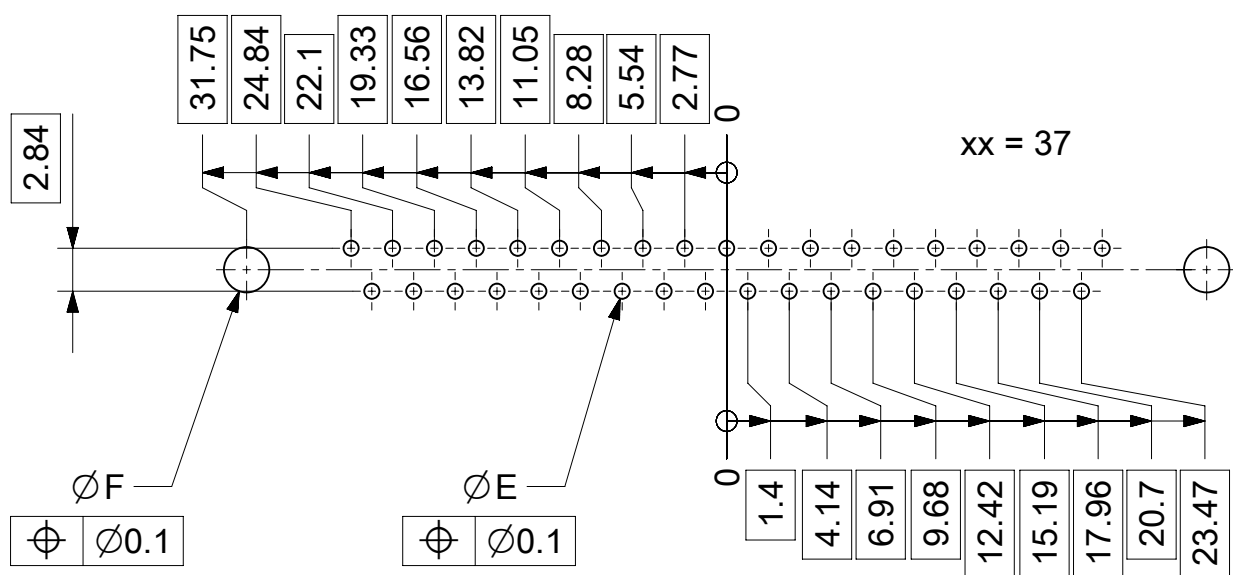
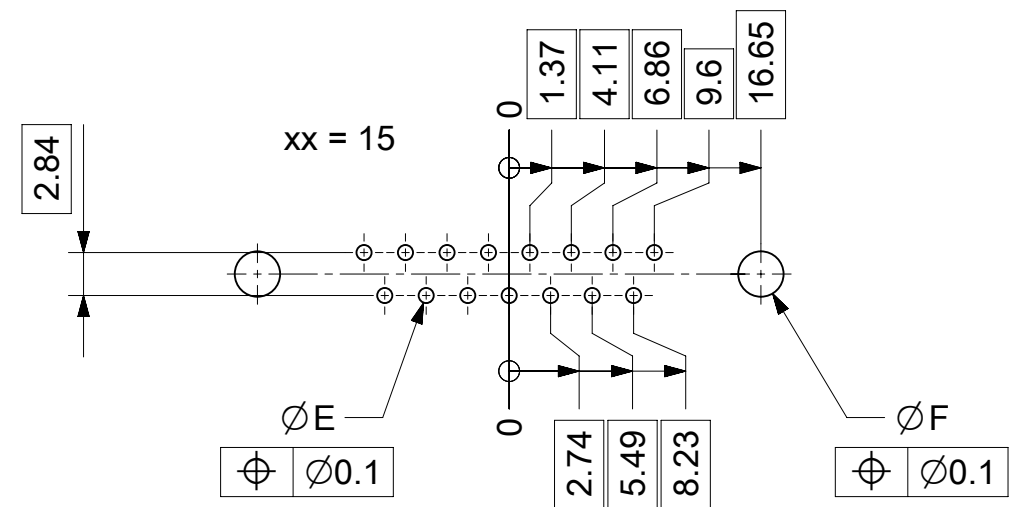
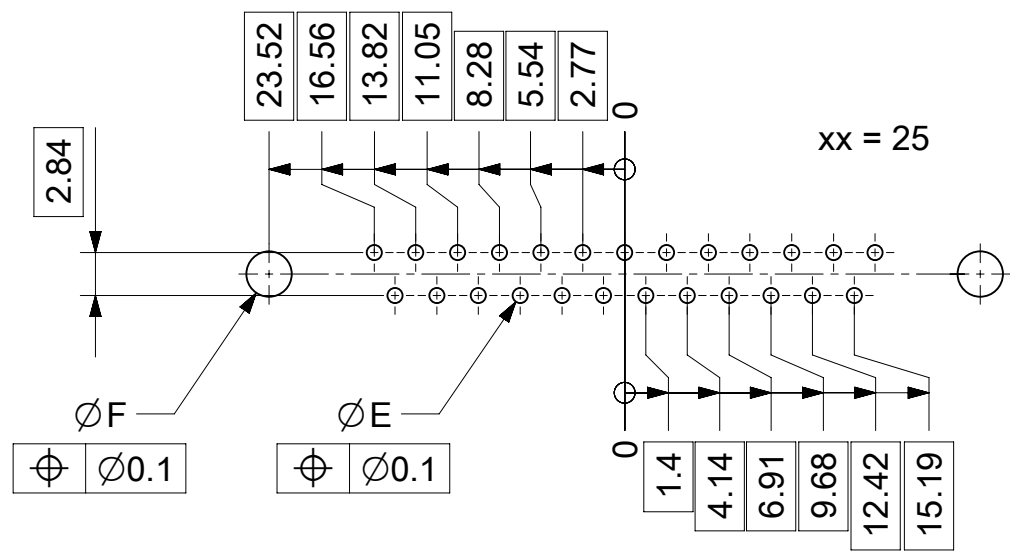
DOC PART: 000

REVISION: A

molex

FCT D-SUB MINIATURE CONNECTOR

PRODUCT CUSTOMER DRAWING



ØE, ØF see data sheet incl. connector
 ØF connectors with accessories only

| | | | | | | |
|---|---------------------------------------|------------------------|---|--------|-----------------|----------------|
| MEASUREMENTS WITHOUT TOLERANCE ACC TO ISO 2768-m | | | REPLACEMENT FOR DOCUMENT NUMBER: AM0023 | | | |
| THIS DRAWING CONTAINS INFORMATION THAT IS PROPRIETARY TO MOLEX ELECTRONIC TECHNOLOGIES, LLC AND SHOULD NOT BE USED WITHOUT WRITTEN PERMISSION | | | | | | |
| FUNCTIONAL SYMBOLS | DIMENSION UNITS | SCALE | CURRENT REV DESC: | | | |
| $\nabla_A = 0$ | mm | 2:1 | EC NO: 713905 | | | |
| $\nabla_E = 0$ | GENERAL TOLERANCES (UNLESS SPECIFIED) | | DRWN: SKANDB 2022/05/16 | | | |
| $\nabla_F = 0$ | ANGULAR TOL ± ° | | CHK'D: MTEUBEL 2022/07/12 | | | |
| DIVISIONAL SYMBOLS | 4 PLACES ± | | APPR: MTEUBEL 2022/07/12 | | | |
| | 3 PLACES ± | | INITIAL REVISION: | | | |
| | 2 PLACES ± | | DRWN: SKANDB 2022/05/16 | | | |
| | 1 PLACE ± | | APPR: MTEUBEL 2022/07/12 | | | |
| | 0 PLACES ± | | DOCUMENT NUMBER | | | |
| DRAFT WHERE APPLICABLE MUST REMAIN WITHIN DIMENSIONS | | FIRST ANGLE PROJECTION | DRAWING | SERIES | MATERIAL NUMBER | CUSTOMER |
| | | | A3-SIZE | 219560 | 219560 | GENERAL MARKET |
| | | | PRODUCT CUSTOMER DRAWING | | REVISION | |
| | | | 2195600023 | | A | |
| | | | PSD 000 | | 1 OF 1 | |