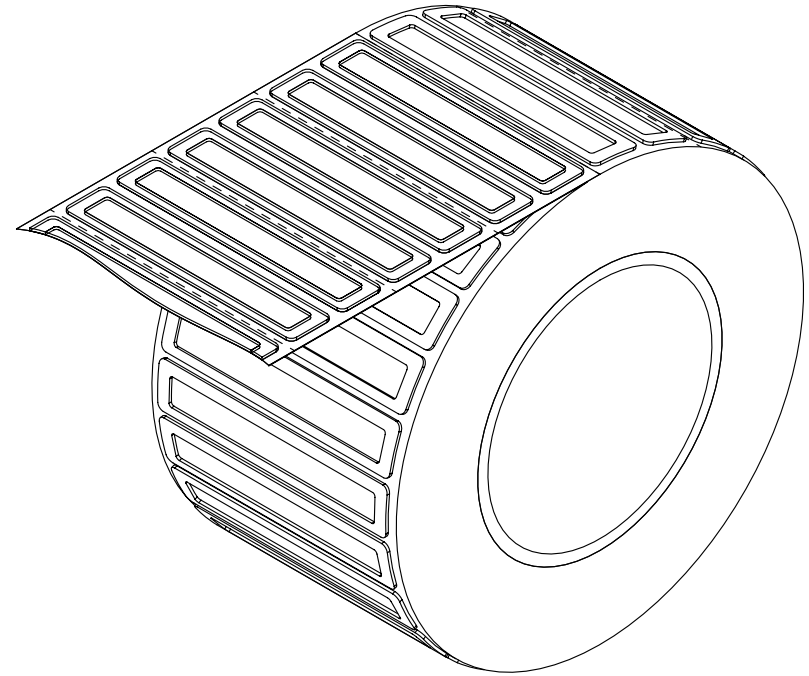
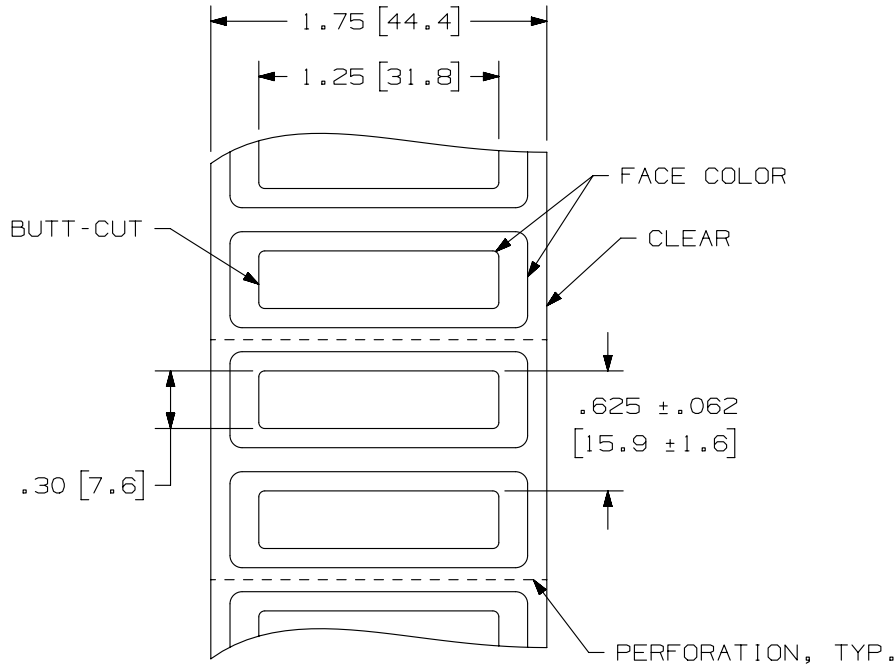


THIS COPY IS PROVIDED ON A RESTRICTED BASIS AND IS NOT TO BE USED IN ANY WAY DETRIMENTAL TO THE INTERESTS OF PANDUIT CORP.

NOTES:

1. DIMENSIONS IN [ ] ARE IN MILLIMETERS.

PANDUIT PART NO.	MATERIAL	FACE COLOR	PKG. QTY.	THICKNESS	PRODUCT TYPE
C125X030A0T	GMH3	BLACK	500	.030 +/- .010	POLYESTER/ FOAM DATA LABEL
C125X030APT	GMH3-W	WHITE			



REV	DATE	BY	CHK	APR	DESCRIPTION	ECN
1	1/29/13	RVU	DAPE	SEWH	ADD NEW PN: C125X030A0T. ADD MATERIAL COLUMN. ADD NEW ISO VIEW.	GAECN00563
0	3/21/12	RVU	DAPE		DRAWING RELEASE.	6740

TITLE <b>RAISED PANEL DATA LABELS C125X030A*T</b> CUSTOMER DRAWING					
ITEM REVISION NAME 100491DL/01			<b>PANDUIT</b> <sup>TM</sup>		
DATASET FILE NAME 100491DL-DC-C10982/01B					
UNLESS OTHERWISE SPECIFIED, DIMENSIONAL TOLERANCES ARE: IN [ mm ]					
.x ± .12 [ 3.05 ]		.xxx ± .025 [ .635 ]		SEE TABLE	
.xx ± .062 [ 1.57 ]		ANGLES ±		DRAWING NUMBER: C10982	
DRAWN BY RVU			DATE 3/21/12		CHK MSAD
SCALE NTS			THIRD ANGLE PROJECTION		
SHT 1 OF 1				SIZE A	

D10100DA/12