

FEATURES

- Circular Active Area
- Ideal for 225-400 nm Detection
- 100% Internal QE
- Welded Cap with UV Glass Window

Electro-Optical Characteristics at 25°C

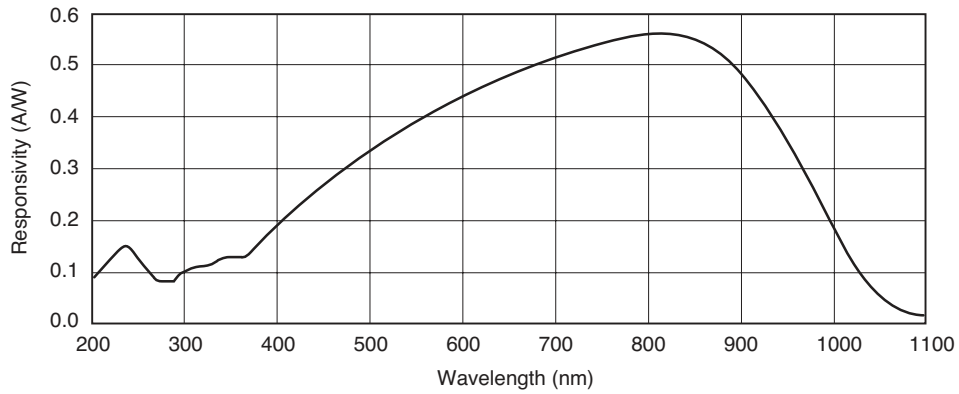
Parameters	Test Conditions	Min	Typ	Max	Units
Active Area	Φ 2.5 mm		5		mm ²
Responsivity	(see graph on next page)	0.09	0.115		A/W
Dark Current, I _{dr}	V _R = 6 V			1	nA
Reverse Breakdown Voltage, V _R	I _R = 1 μA	25	50		Volts
Capacitance, C	V _R = 0 V		500	1500	pF
Response Time	V _R = 0 V		1	2	μsec

Thermal Parameters

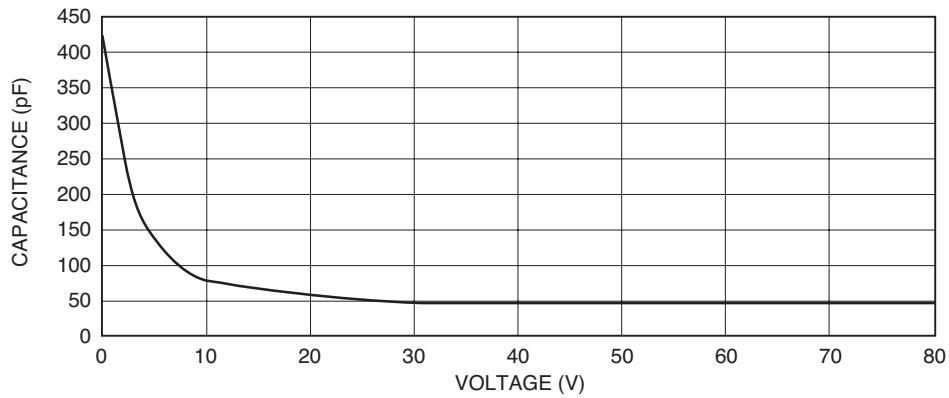
Storage and Operating Temperature Range	Units
Storage Temperature Range	-20°C to 80°C
Lead Soldering Temperature ¹	240°C

¹0.0625" from case for 10 seconds.

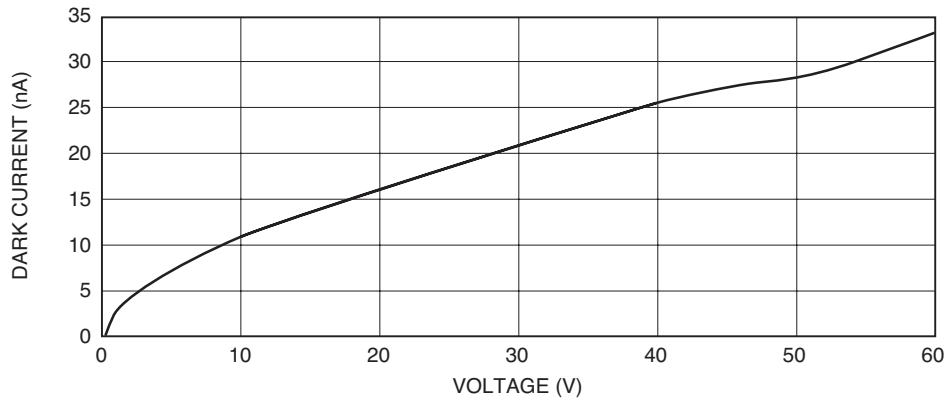
Typical Photon Responsivity



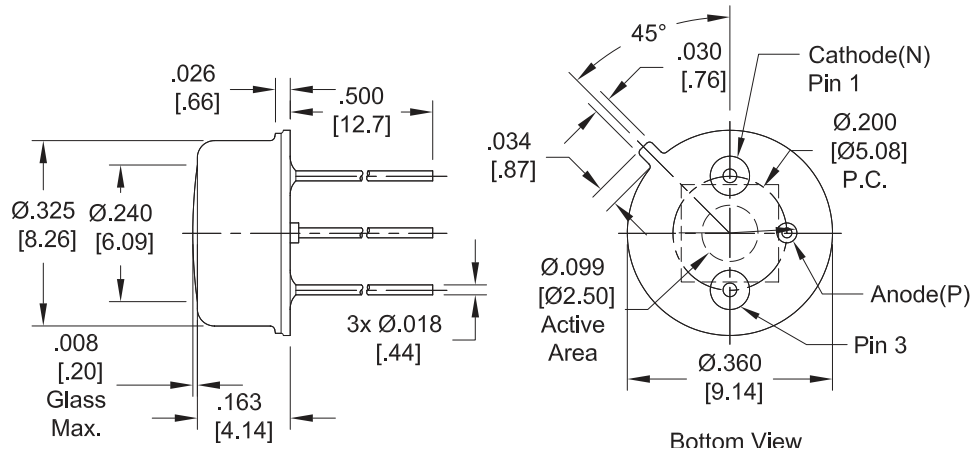
Capacitance vs. Voltage



Dark Current vs. Voltage



Package Information



Dimensions are in inch [metric] units.

Specifications are subject to change without prior notice.