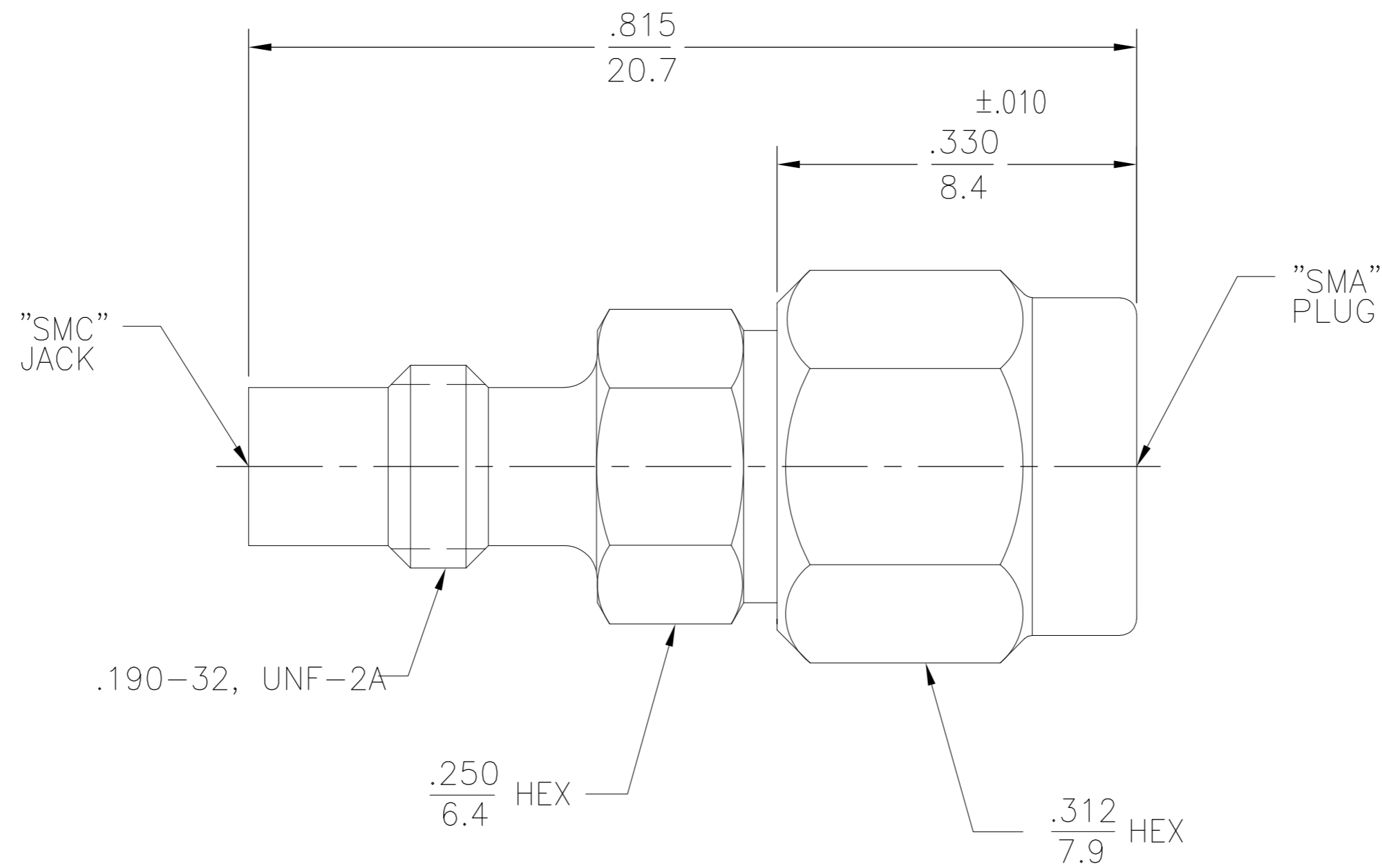


THIS DRAWING IS UNPUBLISHED. RELEASED FOR PUBLICATION
 © COPYRIGHT BY TYCO ELECTRONICS CORPORATION. ALL INTERNATIONAL RIGHTS RESERVED.

LOC	DIST	REVISIONS					
AJ	00	P	LTR	DESCRIPTION	DATE	DWN	APVD
		B		REV PER ECO 08-026436	3DEC2008	DW	JL



HOUSING COUPLING NUT	STAINLESS STEEL PER ASTM-A484 AND ASTM-A582, TYPE 303	PASSIVATE PER QQ-P-35
DIELECTRIC	PTFE FLUOROCARBON PER ASTM-D-1457	N/A
CENTER CONTACT	BRASS PER ASTM-B-16	GOLD PLATE PER MIL-G-45204
RETAINING RING	BERYLLIUM COPPER PER ASTM-B-194, ALLOY C17200, CONDITION H	N/A
GASKET	SILICONE RUBBER PER ZZ-R-765	N/A
COMPONENT	MATERIAL	FINISH

THIS DRAWING IS A CONTROLLED DOCUMENT.		DWN	R.B.	6-28-77	Tyco Electronics Corporation Harrisburg, PA 17105-3608				
DIMENSIONS: INCHES		CHK	KWW	6-28-77					
TOLERANCES UNLESS OTHERWISE SPECIFIED:		APVD	RMF	6-28-77					
0 PLC ± - 1 PLC ± - 2 PLC ± - 3 PLC ± .005 4 PLC ± - ANGLES ± 1°		PRODUCT SPEC		NAME		SMA PLUG TO SMC JACK ADAPTER (5082-2241-00)			
MATERIAL	FINISH	WEIGHT	-	-	SIZE	CAGE CODE	DRAWING NO	RESTRICTED TO	
-	-	-	-	-	A2	00779	1060274-1	-	
CUSTOMER DRAWING				SCALE	8:1	SHEET	1 of 1	REV	B

1060274-1