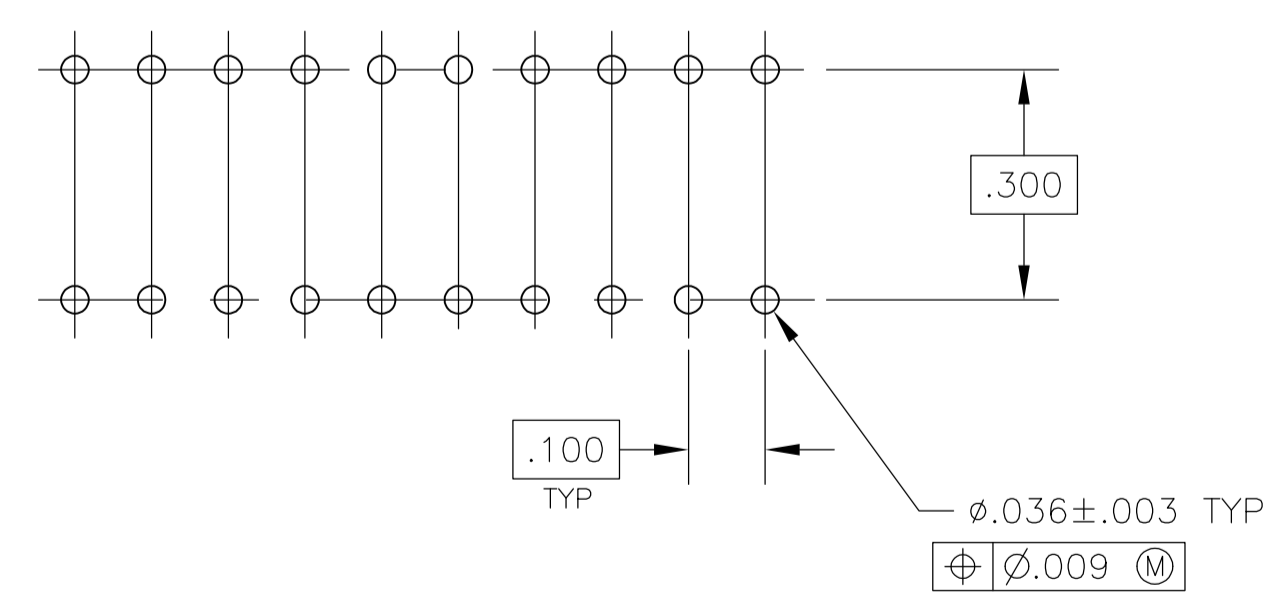


1. RECEPTACLE ACCEPTS A .008-.014 THICK I.C. LEAD.
2. TUBE LOADED.
3. TWO .000015 MIN THK. GOLD STRIPES IN CONTACT AREA WITH TIN-LEAD (93/7) ON SOLDER LEGS, BALANCE OF CONTACT NICKEL PLATED.

SECTION A-A  
SCALE 10:1



RECOMMENDED MOUNTING HOLE PATTERN  
SCALE 4:1

OBSOLETE	△3	PHOS. BRZ	BROWN GLASS-FILLED PCT	2-382465-4
	TINNED	PHOS. BRZ	BLACK THERMO PLASTIC	2-382465-3
OBSOLETE	TINNED	BE.CU.	BROWN GLASS-FILLED PCT	2-382465-1
	CONTACT FINISH	CONTACT MAT'L	HOUSING MATERIAL	PART NO.

THIS DRAWING IS A CONTROLLED DOCUMENT.		DIN	DEMARCO	Tyco Electronics Corporation	
DIMENSIONS: INCHES		CHK	DEMARCO	Harrisburg, PA 17105-3608	
TOLERANCES UNLESS OTHERWISE SPECIFIED:		APP'D	DEMARCO	NAME	
0. PLC ± -		R. MILLER		SOCKET ASSY, DIP, HT, 20 POS, DIPLOMATE DL	
1. PLC ± -		R. PRIDDY		PRODUCT SPEC	
2. PLC ± -				108-1066	
3. PLC ± .005				APPLICATION SPEC	
4. PLC ± -				114-1052	
ANGLES ± -				SIZE	
MATERIAL SEE TABLE		FINISH SEE TABLE		WEIGHT	
				A1 00779 C=382465	
				CUSTOMER DRAWING	
				SCALE 5:1 SHEET 1 OF 1 REV G1	