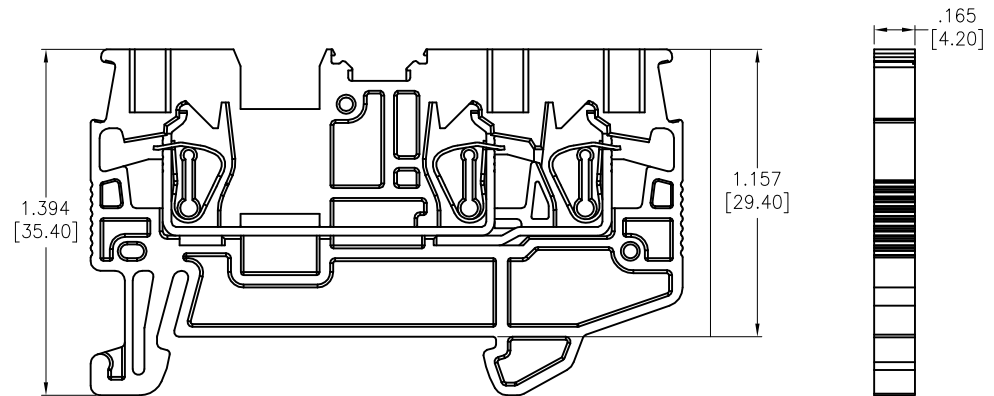
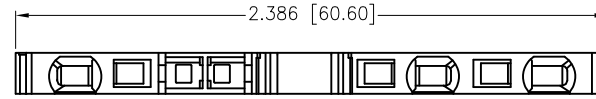
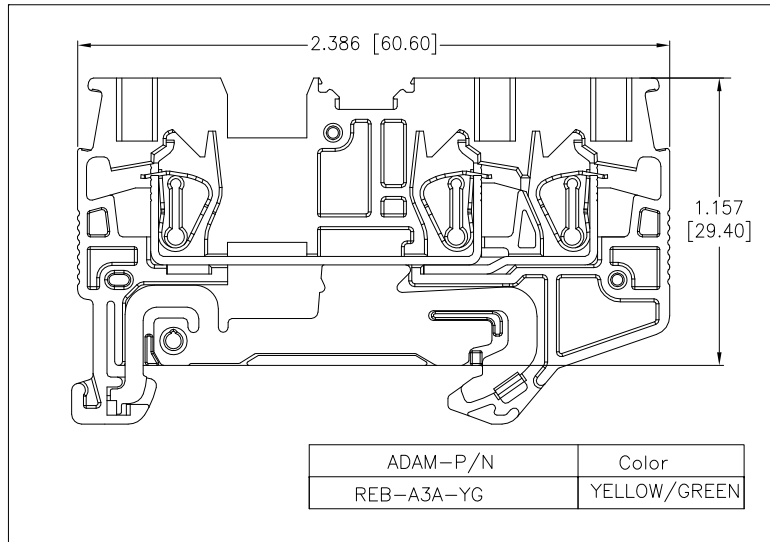


APPROVED: \_\_\_\_\_  
 DATE: \_\_\_\_\_ TITLE: \_\_\_\_\_

Rev	AWO #	Description	Date	Appr
-		RELEASED	10/7/22	

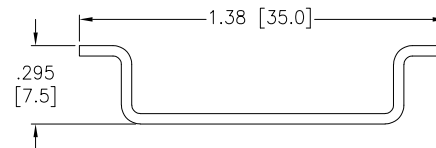


**SPECIFICATIONS:**

Material:  
 Insulator: PA66, rated UL 94V-0  
 Insulator color: See chart  
 Contacts: Copper Alloy, Tin Plated  
 Electrical:  
 Voltage rating: 300V  
 Current rating: 15A  
 Dielectric withstanding voltage: 1,600 VAC for 1 minute  
 Mechanical:  
 Flexible: 0.2-1.5 mm<sup>2</sup>  
 Wire range : 26-14 #AWG  
 Stripping Length: 8-10 mm  
 Temperature Rating:  
 Operating temperature: -40°C to +105°C  
 Environmental:  
 Lead free, RoHS compliant.



RECOMMENDED RAIL SIZE  
 35.0mm X 7.5mm



ADAM-P/N	Color
REB-A3A-BU	BLUE
REB-A3A-GY	GRAY
REB-A3A-YG	YELLOW/GREEN

UNLESS OTHERWISE SPECIFIED ALL DIMENSIONS ARE INCHES [MM]. TOLERANCES: EXCEPT AS NOTED

INCHES		HOLES	
.x	± .10	∅x	± .10
.xx	± .020	∅xx	± .015
.xxx	± .015	∅xxx	± .010



909 Rahway Avenue,  
 Union, NJ 07083  
 Phone: 908-687-5000  
 Fax: 908-687-5710

DRAWN	WX	10/7/22
CHECKED	RC	10/7/22
APPROVED		

TITLE  
 DIN RAIL TERMINAL BLOCKS, GUS, 3HOLE, 1.5 FLEXIBLE

THIS DRAWING CONTAINS INFORMATION THAT IS PROPRIETARY AND SHOULD NOT BE USED WITHOUT PRIOR WRITTEN PERMISSION FROM ADAM TECH

SIZE X	PART NO. REB-A3A-XX	REV. -
REF: S00067C	SCALE: NTS	SHEET 1 OF 1