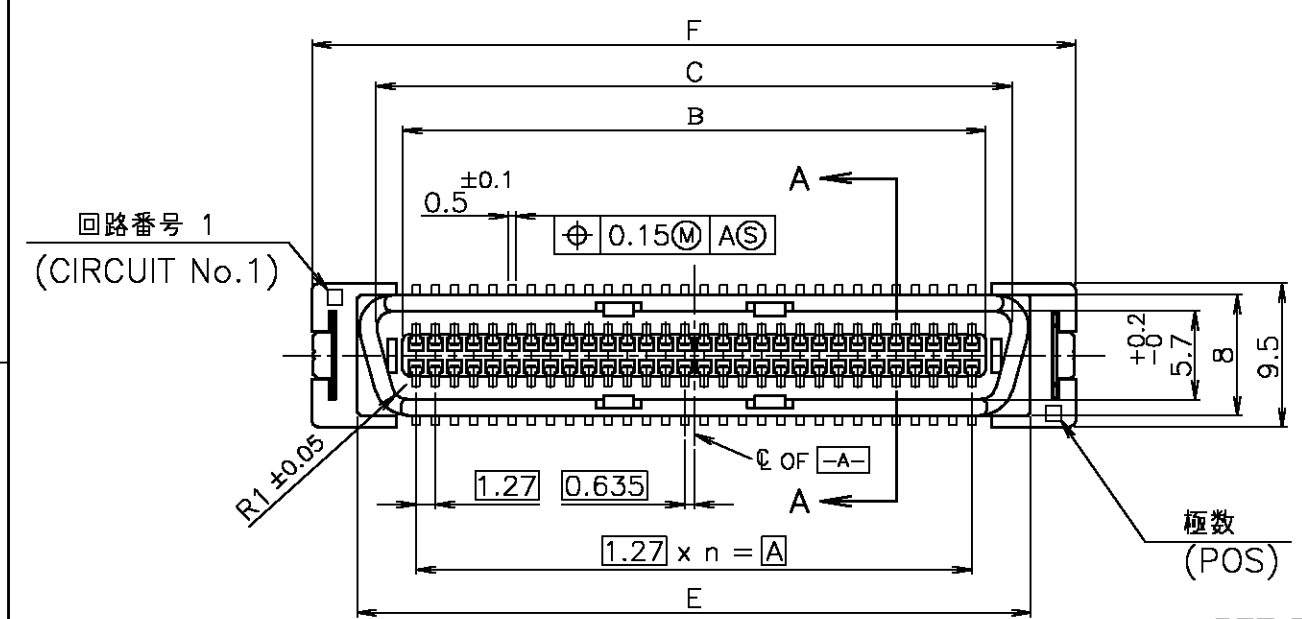
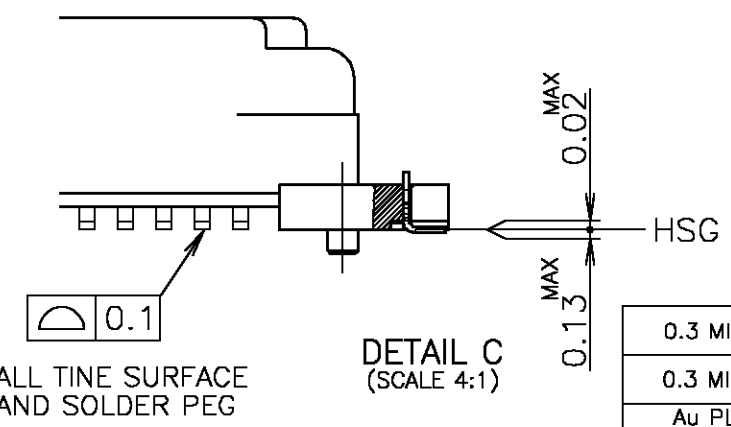
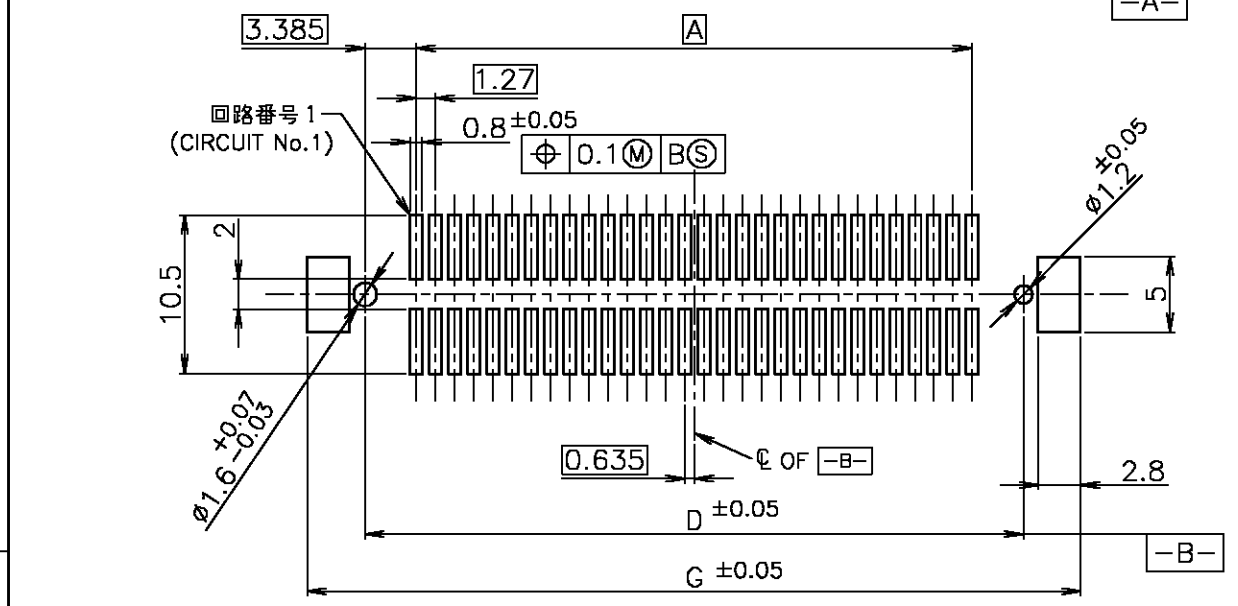
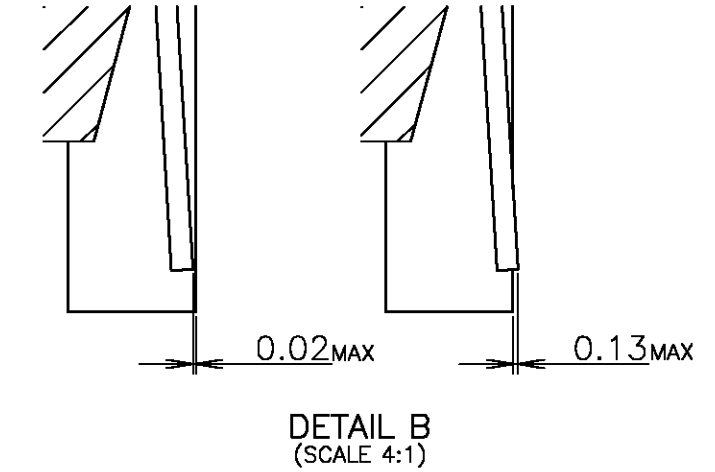
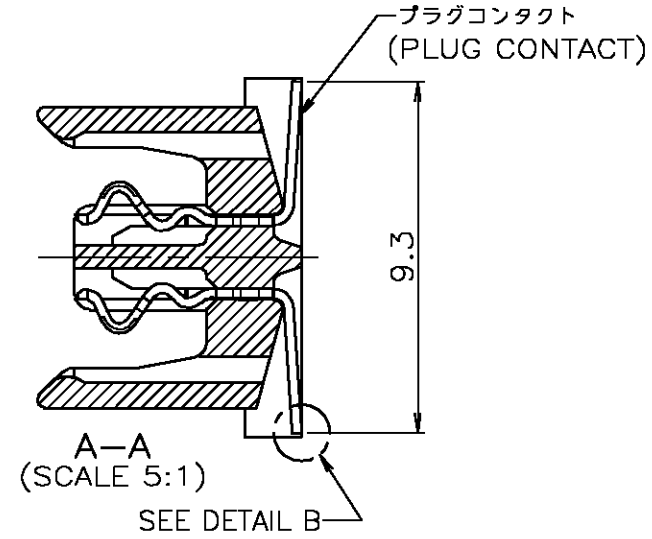
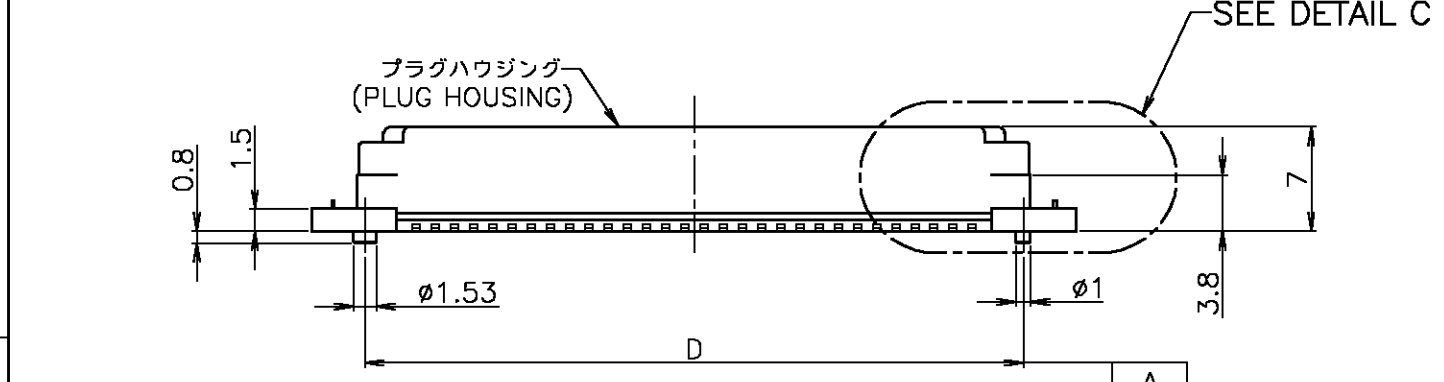
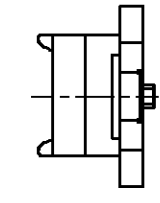


THIS DRAWING IS UNPUBLISHED. RELEASED FOR PUBLICATION
 © COPYRIGHT BY TYCO ELECTRONICS CORPORATION. ALL RIGHTS RESERVED.

LOC	DIST	REVISIONS					
		P	LTR	DESCRIPTION	DATE	DWN	APVD
J			D	REVISED (FJBO-0191-03)	12MAR03	T.K	Y.Y



NOTE:
 ① MATERIAL: HOUSING : THERMOPLASTIC (UL 94V-0) BLACK.
 CONTACT : COPPER ALLOY
 SOLDER PEG : COPPER ALLOY
 ② FINISH: CONTACT: Au PL. CONTACT AREA.
 TIN LEAD PL. AT TINE AREA, OVER Ni UNDER PL.
 SOLDER PEG: TIN LEAD PL., OVER Ni UNDER PL.
 注記:
 ① 材料: ハウジング: 熱可塑性樹脂 (UL 94V-0) 色、黒。
 コンタクト: 銅合金
 ソルダーペグ: 銅合金
 ② 表面仕上げ: コンタクト: ニッケル下地めっきに 接触部金めっき、脚部はんだめっき
 ソルダーペグ: 全面ニッケル下地めっき上にはんだめっき



0.3 MIN.	63.9	63.3	57.3	56.3	54.77	51.33	49.53	39	80	179656-3
0.3 MIN.	51.2	50.6	44.6	43.6	42.07	38.63	36.83	29	60	179656-2
AU PL THICKNESS (#m)	G	F	E	D	C	B	A	n	POS	P/N

THIS DRAWING IS A CONTROLLED DOCUMENT.

DIMENSIONS: MM	TOLERANCES UNLESS OTHERWISE SPECIFIED:
ϕ	0 PLC \pm
ϕ	1 PLC \pm
ϕ	2 PLC \pm
ϕ	3 PLC \pm
ϕ	4 PLC \pm
ANGLES	\pm
MATERIAL	FINISH
①	②

DWN T.KAWAMAE	20DEC02		Tyco Electronics AMP K.K.				
CHK H.SHIRAI	20DEC02		Kawasaki, Japan				
APVD Y.YAMAMOTO	20DEC02		AMP FH CONNECTOR				
PRODUCT SPEC			PLUG, SMT, WITH SOLDER PEG				
APPLICATION SPEC		108-5309	SIZE	CAGE CODE	DRAWING NO	RESTRICTED TO	
WEIGHT		A3	00779	C=179656			
CUSTOMER DRAWING		SCALE	NTS	SHEET	1 OF 1	REV	D

TOLERANCES UNLESS OTHERWISE SPECIFIED
 一般公差
 $10 \geq : \pm 0.2$
 $30 \geq > 10 : \pm 0.25$
 $100 \geq > 30 : \pm 0.3$
 ANGLES $\pm 3'$

SOLETE
 NOT THE LATEST REVISION