

**Ratings**

Temperature: -40 ~ 70 °C  
Voltage: 150 V

**Conductor**

Gauge: 28 AWG 0.08 mm<sup>2</sup>  
Material: tinned copper strands  
Strand size:  $\varnothing 0.05 \times 40$   
Resistance at 20 °C: 240  $\Omega$  /km max

**Insulator**

Material: HDPE  
Color: orange, green, blue, yellow, white, black, red  
Diameter:  $\varnothing 0.7 \pm 0.10$  mm  
Nominal thickness: 0.15 mm  
Resistance at 20 °C: 1000 M $\Omega$  /km min

**Shield**

Type: spiral  
Material: tinned copper strands  
Stranding:  $\varnothing 0.08$  mm  
Coverage: 90% min

**Outer jacket**

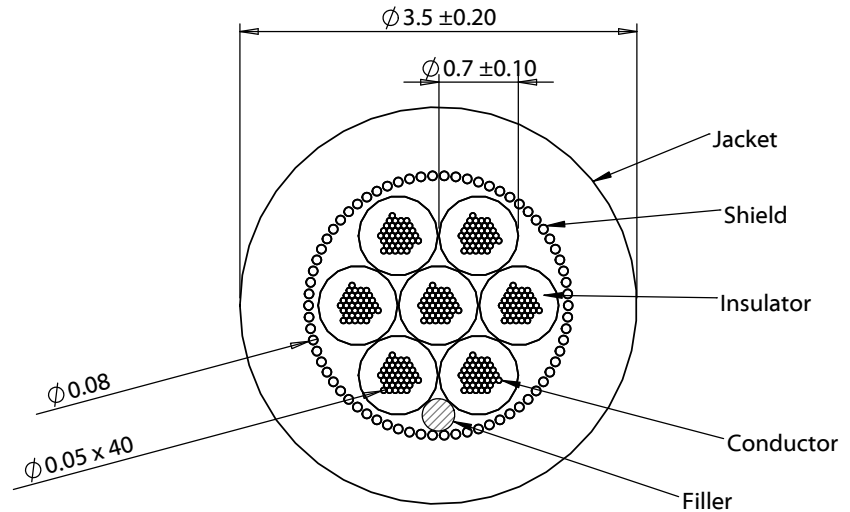
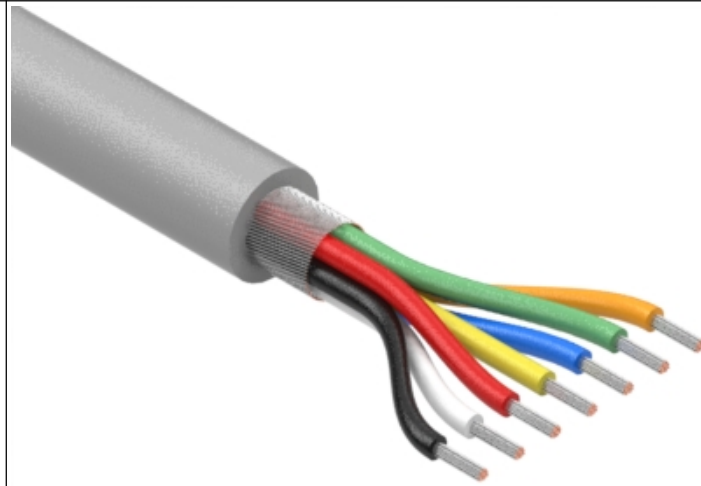
Material: TPU  
Color: gray (Cool Gray 9C)  
Nominal thickness: 0.50 mm  
Diameter:  $\varnothing 3.5 \pm 0.20$  mm

**Filler:**

Material: aramid fiber

**Tests**

Tensile strength: 35.7 kgf  
Dielectric test: 1500 V dc for 1 minute without breakdown  
Bend test at 200 g,  $\pm 90^\circ$ , 30 cycles /min: 15,000 cycle minimum



Revision:	Date:	Description:
A	10/10/2018	Initial release
A1	1/18/2019	Changed filler material to generic name

Prepared: **PS**  
Digitally signed by PS  
Date: 2019.07.03  
15:21:55 -07'00'

Verified: **GL**  
Digitally signed by GL  
Date: 2019.07.03  
16:37:27 -07'00'

Dimensions are in millimeters.  
Tolerances:  
X:  $\pm 0.5$  mm  
X.X:  $\pm 0.3$  mm  
X.XX:  $\pm 0.05$  mm

Notes:  
RoHS compliant  
Jacket meets ISO 10993 Biological Compatibility  
Phthalate and halogen free  
Function test: no open, no short, no intermittent

Description:  
Wire, 7C TS, 28 AWG, 150V, 70C, 3.5 mm, shielded, TPU, 75A, gray, WBL

**TENSILITY**

tel 1.541.323.3228 800 877.670.7118  
fax 1.541.323.4202 web tensility.com

Size: A Part number: **30-01158**

Scale: 15:1 Sheet 1 of 1