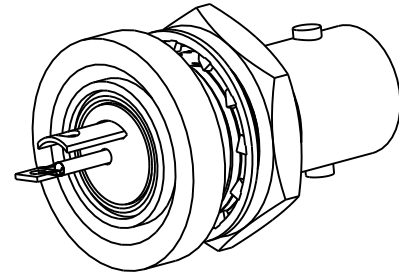


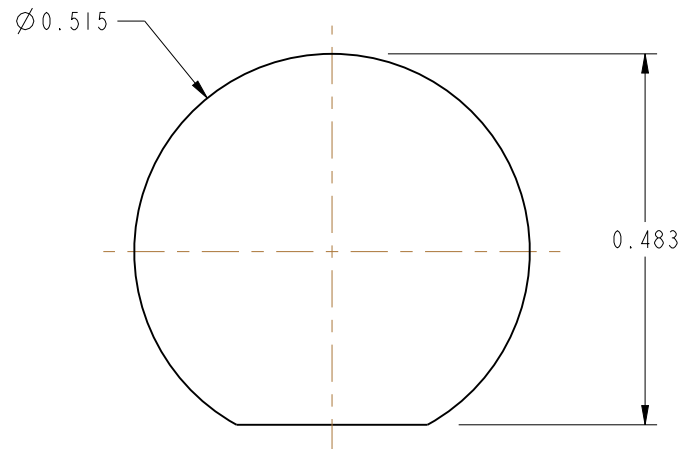
NOTES:

1. MATERIALS AND FINISHES:
 BODY - BRASS, SILVER PLATING
 GLASS SEAL - GLASS & NICKEL ALLOY, GOLD PLATING
 INSULATORS - PTFE
 RETAINING RINGS - BRASS, SILVER PLATING
 GASKET - SILICONE
 HEX NUT - BRASS
 LOCK WASHER - BRASS, SILVER PLATING
2. ELECTRICAL:
 A. IMPEDANCE: NONCONSTANT
3. MECHANICAL:
 A. DURABILITY: 500 CYCLES MIN.
 B. TEMPERATURE RANGE: +65° C TO -165° C
4. PACKAGING:
 A. QUANTITY: SINGLE PACK
 B. MARKING: BAG TO BE MARKED
 "AMPHENOLRF, 31-2677-1, AND DATE CODE"

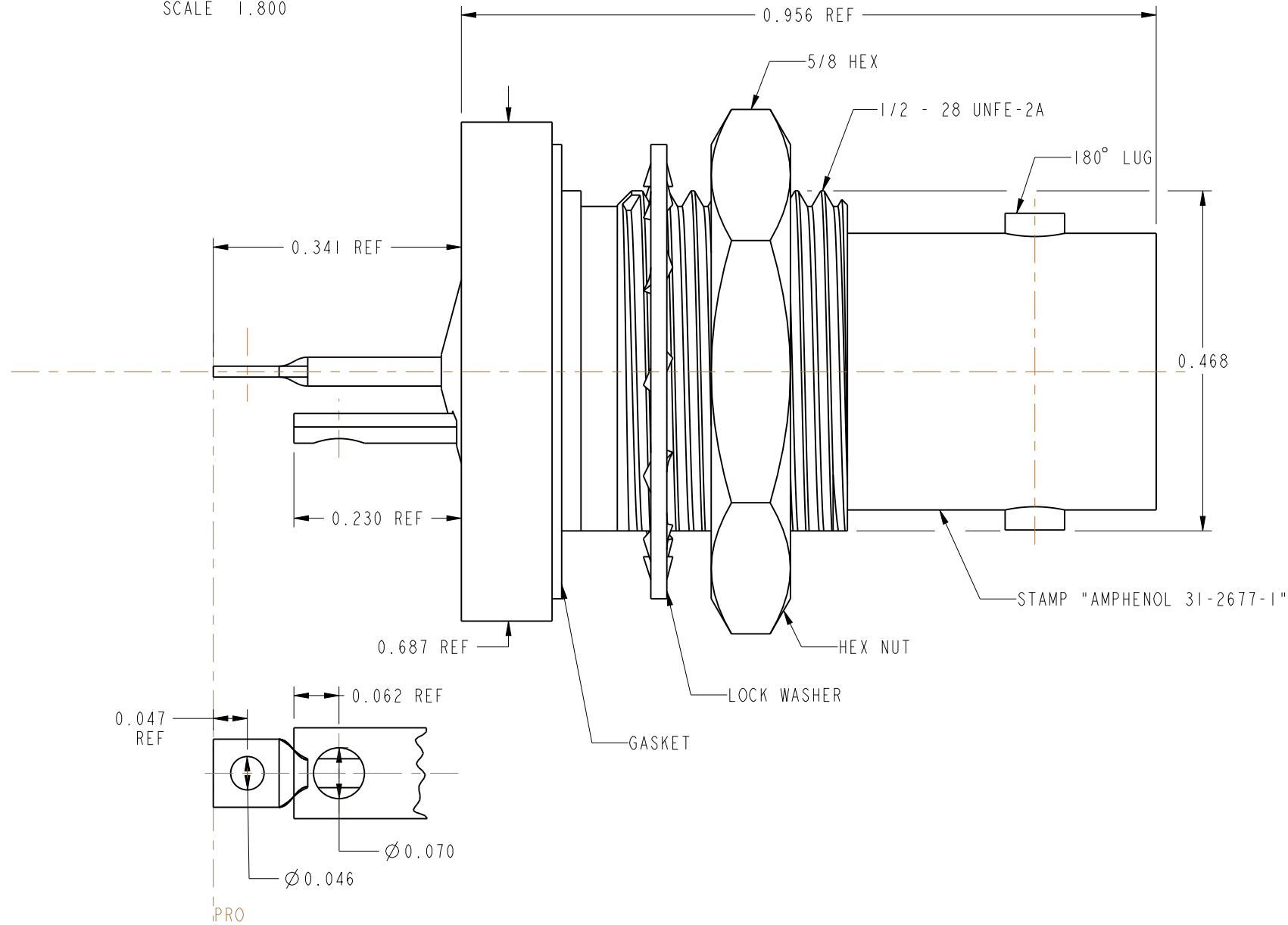


SCALE 1.800

31-2677-1		REVISIONS			
DRAWING NO.	REV	DESCRIPTION	DATE	ECO	APPR
THIRD ANGLE PROJ.	F	SEE SHEET 1	8/29/86	33340	PJ
	G	SEE SHEET 1	2/7/93	38794	RAV/DR
	H	REDRAWN IN PRO-E AND ADDED NOTE USE LEAD FREE SOLDER	9/10/10	48222	KR
	J	INTERNAL DOCUMENT CHANGE	6/28/13	49608	RLB



**RECOMMENDED
HOLE MOUNTING DIMENSIONS**



CUSTOMER OUTLINE DRAWING
 ALL OTHER SHEETS ARE FOR INTERNAL USE ONLY

UNLESS OTHERWISE SPECIFIED, DIMENSIONS ARE IN INCHES AND TOLERANCES ARE: 2 PLACE DECIMAL ±.015 (0,381 mm) 3 PLACE DECIMAL ±.005 (0,127 mm) ANGLES ± 1°	MATERIAL SEE NOTES	DRAWN R. KARTHIK	DATE 02-Aug-10	TITLE BNC TRIAX JACK REVERSE POLARITY	Amphenol RF Danbury, CT, USA Tainan, Taiwan Shenzhen, China www.amphenolrf.com
	REFERENCE	ENGINEER R. KARTHIK	DATE 02-Aug-10		
NOTICE - These drawings, specifications, or other data (1) are, and remain the property of Amphenol Corp. (2) must be returned upon request; and (3) are confidential and not to be disclosed to any person other than those to whom they are given by Amphenol Corp. The furnishing of these drawings, specifications, or other data by Amphenol Corp., or to any other person to anyone for any purpose is not to be regarded by implication or otherwise in any manner licensing, granting rights or permitting such holder or any other person to manufacture, use or sell any product, process or design, patented or otherwise, that may in any way be related to or disclosed by said drawings, specifications, or other data.		APPROVED K. CAPOZZI	DATE 8/24/10		SCALE: 5.0:1 SHEET 2 OF 2
		CAD FILE Root Folder/BNC/31-2677-1	CODE ID 74868	DWG SIZE B	DRAWING NO. 31-2677-1