

4

3

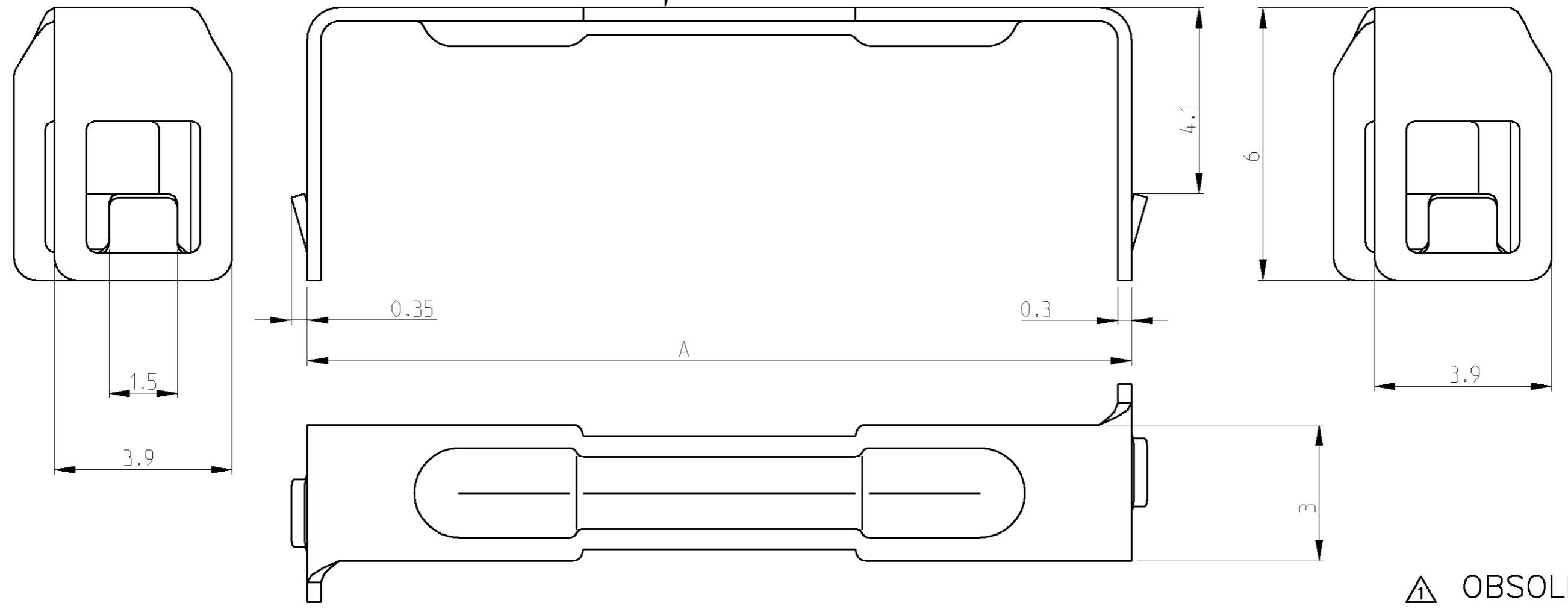
2

1

THIS DRAWING IS UNPUBLISHED. RELEASED FOR PUBLICATION 2000
 © COPYRIGHT 2000 BY TYCO ELECTRONICS CORPORATION. ALL RIGHTS RESERVED.


LOC	DIST	REVISIONS			
P	LTR	DESCRIPTION	DATE	DWN	APVD
A1	-	PART NUMBER CHANGED TO TYCO ELECTRONICS	20DEC2000	ACK	GF
A2	-	ECR-10-026307	11JUL11	KK	HMR


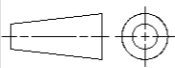
 0.2 not convex
nicht konvex



 OBSOLETE

-1 AS SHOWN
WIE GEZEICHNET

PART NUMBER	OLD PART NUMBER	DIMENSION A
1 393 557 - 1	C42334-A368-C4	18.15
1 393 557 - 2	C42334-A368-C5	20.7
1 393 557 - 5 	C42334-A368-C9	23.25

<small>THIS DRAWING IS A CONTROLLED DOCUMENT FOR TYCO ELECTRONICS CORPORATION IT IS SUBJECT TO CHANGE AND THE CONTROLLING ENGINEERING ORGANIZATION SHOULD BE CONTACTED FOR THE LATEST REVISION.</small>		DWN 20DEC2000 G. ACKERMANN CHR - M. SCHLEIHAUF APVD - G. FELDMEIER	 TE Connectivity
DIMENSIONS: mm 	TOLERANCES UNLESS OTHERWISE SPECIFIED: 1 PL ± 2 P/C ±0.1 3 P/C ± 4 PL ± ANGLES ±1° MATERIAL CuNiZn FINISH -	PRODUCT SPEC - APPLICATION SPEC - WEIGHT -	NAME STRAP BUEGEL SIZE A3 CAGE CODE 00779 DRAWING NO C=1393557-1 RESTRICTED TO - SCALE 10:1 SHEET 1 OF 1 REV A2
CUSTOMER DRAWING			

