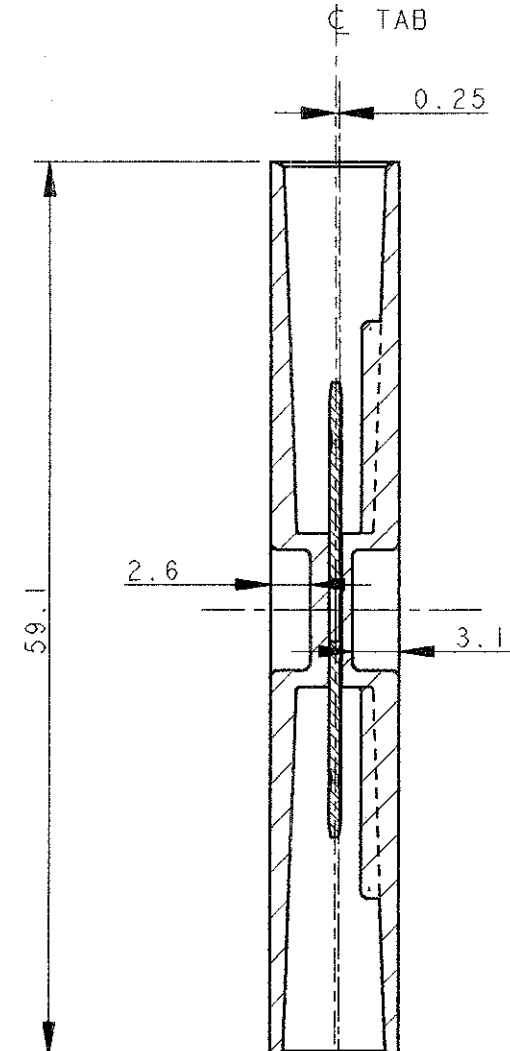
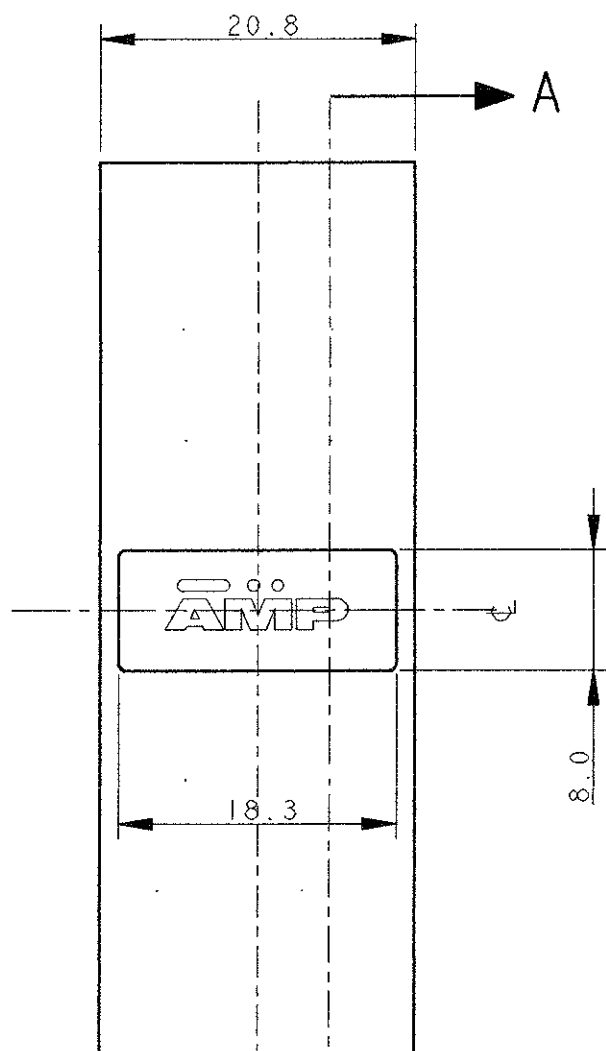
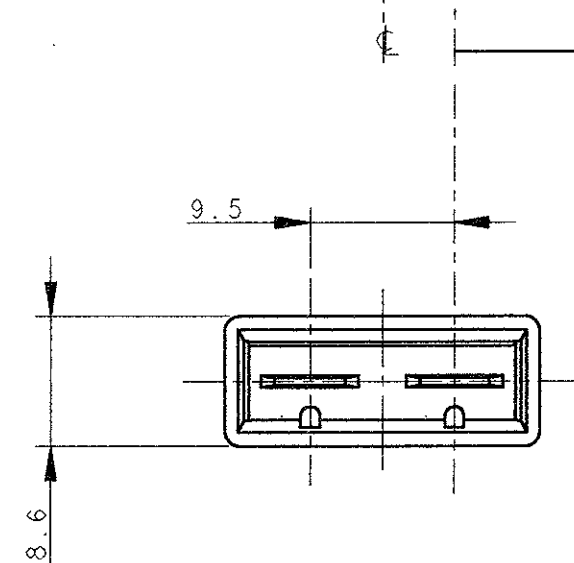


LOC	DIST
1	-

REVISIONS				
P	LTR	DESCRIPTION	DATE	APVD
S1		REVISED PER EC ET00-0172-99	17MAY99	ST
S2		REVISED PER ECO-09-026346	26NOV09	KK AEG



SECTION A - A



- 1 "GLOW WIRE" TEST ACCORDING TO IEC 695-2-1
- 2 OBSOLETE PARTS: OBSOLETE CIS STREAMLINING PER D.RENAUD/D.SINISI

2 OBSOLETE	NEUTRO (CLEAR)	PA 6.6 NATURALE	180909-2 1	DI
	NEUTRO (CLEAR)	(PA 6.6 UNFILLED)	180909-0	DI
	COLORE (COLOUR)	MATERIALE (MATERIAL)	NUMERO DISEGNO AMP (AMP PART NUMBER)	REV.

<small>THIS DRAWING IS A CONTROLLED DOCUMENT FOR AMP INCORPORATED. IT IS SUBJECT TO CHANGE AND THE CONTROLLING ENGINEERING ORGANIZATION SHOULD BE CONTACTED FOR THE LATEST REVISION.</small>		DWN R. FABRIS 12MAY99 CHK C. TARTARI APVD PRODUCT SPEC APPLICATION SPEC WEIGHT	AMP AMP Italia S.p.A. C.so F.lli Cervi 15 Collegno (TO)
DIMENSIONS: mm 	TOLERANCES UNLESS OTHERWISE SPECIFIED: 0 PLC ± 1 PLC ±0.4 2 PLC ± 3 PLC ± 4 PLC ± ANGLES ±1° 0'	NAME FASTON CONNECTOR, .250" SR DOUBLE CIGARETTE	SIZE A3 CAGE CODE 00779 DRAWING NO C-180909
MATERIAL VED. TABELLA (SEE TABLE) FINISH	CUSTOMER DRAWING	SCALE 2:1 SHEET 1 OF 1 REV S2	