

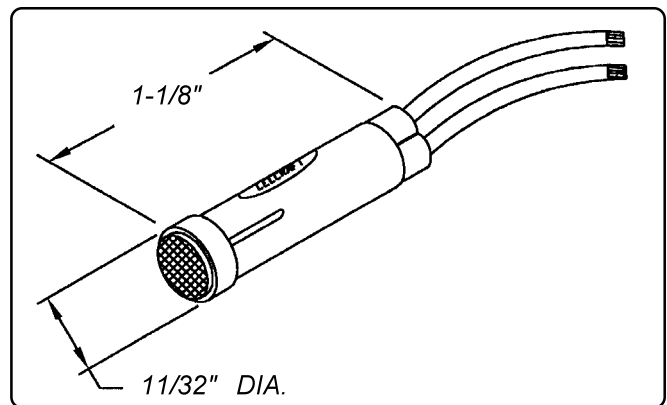
# Pressfit Indicator Lights for 5/16" Dia. Mounting Hole

## 41 SERIES

- PRESSFIT NEON, LED & INCANDESCENT INDICATOR LIGHTS
- 5/16" DIA. MOUNTING HOLE
- WHITE NYLON HOUSING • 6" WIRE LEADS • 2 TO 250 DESIGN VOLTS
- FLUSH OR HI-HAT LENSES • ALUMINUM BEZEL
- UL RECOGNIZED • UL FILE E20356

### Overview

The 41 Series Indicators feature a wide variety of lens colors, voltage options and bezel variations. Indicators are designed without any built-in resistors for Neon Applications. An external resistor of 120K Ohm, 1/3Watt, 5% tolerance, is required for 220 Volt applications; 30K Ohm, 1/3 Watt, 5% tolerance, is required for 125V applications. Indicators mount into a 5/16", (7.93mm) mounting hole with a recommended panel thickness of 0.020" minimum. A speed nut, part number **8700071688**, is supplied. **Note: units with internal resistors are available for those customers requiring indicator lights with built-in resistors - contact the factory for information.**



### Specifications

**Housing:** white nylon. A black housing is available.

**Lens:** polycarbonate.

**Bezel:** aluminum. A black anodized bezel is available.

**Incandescent AC or DC voltage options:** 6, 14 and 28 volts.

**Neon AC or DC voltage options:** 125 and 250 volts.

**Note:** high brightness green and blue neon lamps supplied in green and blue neon applications.

**LED DC voltage options:** 2, 6, 12, 24 volts.

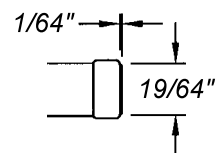
**LED AC voltage options:** 125 volts.

**Note:** 125 volts AC units contain a bi-polar LED.

**Two 6" wire leads:** #20 AWG, black, bare copper, PVC insulated, UL/CSA rated 105°C, 600 V, UL style 1015, stripped 1/2". For DC LED units, wire leads are color-coded red and black; the red wire lead denotes the anode (+) while a black wire lead identifies the cathode (-). For AC LED units, wire leads are white. Custom wire lengths, stripping, termination and wire types are available.

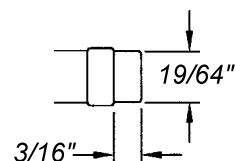
#### Flush Lens Style

With bezel



#### Hi-Hat Lens Style

With bezel



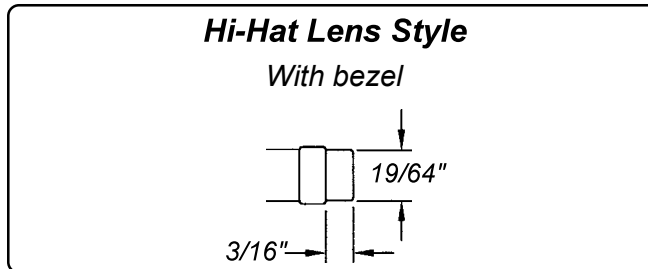
**Can't find it here? We have many more standard and custom solutions**

For further information, phone Customer Service at 800.522.5546.

# Pressfit Indicator Lights for 5/16" Dia. Mounting Hole

## 41 SERIES

Aluminum Bezel  
Neon or  
Incandescent  
6 to 250 Design Volts



6" Wire Leads  
White Housing  
Hi-Hat Lens  
Variety of  
Lens Colors  
PressFit Mounting

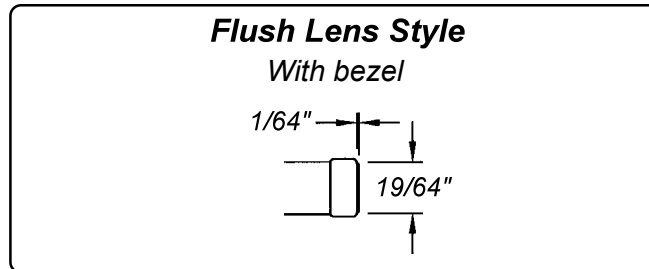
Part Number With Aluminum Bezel	Lens Color	Lamp Type	Design Volts	Design Watts or Amps	Life (hrs)
41EN-2111	Red	Neon	250 MAX	1/3W	25,000
41ENG1-2111	Red	Incandescent	6	.20A	5,000
41ENG3-2111	Red	Incandescent	14	.10A	10,000
41ENG18-2111	Red	Incandescent	28	.04A	7,000
41EN-2112	Green	Neon	250 MAX	1/3W	25,000
41ENG1-2112	Green	Incandescent	6	.20A	5,000
41ENG3-2112	Green	Incandescent	14	.10A	10,000
41ENG18-2112	Green	Incandescent	28	.04A	7,000
41EN-2113	Amber	Neon	250 MAX	1/3W	25,000
41ENG1-2113	Amber	Incandescent	6	.20A	5,000
41ENG3-2113	Amber	Incandescent	14	.10A	10,000
41ENG18-2113	Amber	Incandescent	28	.04A	7,000
41EN-2114	Blue	Neon	250 MAX	1/3W	25,000
41ENG1-2114	Blue	Incandescent	6	.20A	5,000
41ENG3-2114	Blue	Incandescent	14	.10A	10,000
41ENG18-2114	Blue	Incandescent	28	.04A	7,000
41EN-2115	White	Neon	250 MAX	1/3W	25,000
41ENG1-2115	White	Incandescent	6	.20A	5,000
41ENG3-2115	White	Incandescent	14	.10A	10,000
41ENG18-2115	White	Incandescent	28	.04A	7,000
41EN-2117	Clear	Neon	250 MAX	1/3W	25,000
41ENG1-2117	Clear	Incandescent	6	.20A	5,000
41ENG3-2117	Clear	Incandescent	14	.10A	10,000
41ENG18-2117	Clear	Incandescent	28	.04A	7,000

**Note:** The 41 Series Indicator is designed without any built-in resistors for Neon Applications. An external resistor of 120K Ohm, 1/3Watt, 5% tolerance, is required for 220 Volt applications; 30K Ohm, 1/3 Watt, 5% tolerance, is required for 125V applications.

**Units with internal resistors are available for those applications requiring indicator lights with built-in resistors, contact the factory for information.**

# Pressfit Indicator Lights for 5/16" Dia. Mounting Hole

**41 SERIES**  
**Aluminum Bezel**  
**Neon or**  
**Incandescent**  
**6 to 250 Design Volts**



**6" Wire Leads**  
**White Housing**  
**Flush Lens**  
**Variety of**  
**Lens Colors**  
**PressFit Mounting**

Part Number With Aluminum Bezel	Lens Color	Lamp Type	Design Volts	Design Watts or Amps	Life (hrs)
41EN-2311	Red	Neon	250 MAX	1/3W	25,000
41ENG1-2311	Red	Incandescent	6	.20A	5,000
41ENG3-2311	Red	Incandescent	14	.10A	10,000
41ENG18-2311	Red	Incandescent	28	.04A	7,000
41EN-2312	Green	Neon	250 MAX	1/3W	25,000
41ENG1-2312	Green	Incandescent	6	.20A	5,000
41ENG3-2312	Green	Incandescent	14	.10A	10,000
41ENG18-2312	Green	Incandescent	28	.04A	7,000
41EN-2313	Amber	Neon	250 MAX	1/3W	25,000
41ENG1-2313	Amber	Incandescent	6	.20A	5,000
41ENG3-2313	Amber	Incandescent	14	.10A	10,000
41ENG18-2313	Amber	Incandescent	28	.04A	7,000
41EN-2314	Blue	Neon	250 MAX	1/3W	25,000
41ENG1-2314	Blue	Incandescent	6	.20A	5,000
41ENG3-2314	Blue	Incandescent	14	.10A	10,000
41ENG18-2314	Blue	Incandescent	28	.04A	7,000
41EN-2315	White	Neon	250 MAX	1/3W	25,000
41ENG1-2315	White	Incandescent	6	.20A	5,000
41ENG3-2315	White	Incandescent	14	.10A	10,000
41ENG18-2315	White	Incandescent	28	.04A	7,000
41EN-2317	Clear	Neon	250 MAX	1/3W	25,000
41ENG1-2317	Clear	Incandescent	6	.20A	5,000
41ENG3-2317	Clear	Incandescent	14	.10A	10,000
41ENG18-2317	Clear	Incandescent	28	.04A	7,000

**Note:** The 41 Series Indicator is designed without any built-in resistors for Neon Applications. An external resistor of 120K Ohm, 1/3Watt, 5% tolerance, is required for 220 Volt applications; 30K Ohm, 1/3 Watt, 5% tolerance, is required for 125V applications.

**Units with internal resistors are available for those applications requiring indicator lights with built-in resistors, contact the factory for information.**