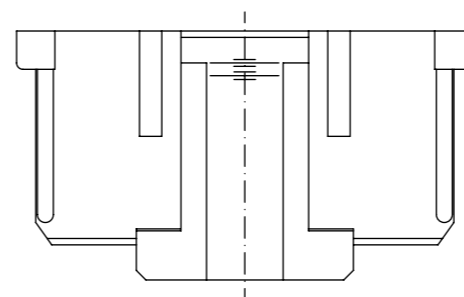
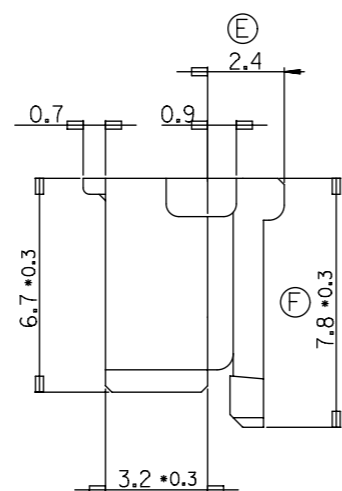
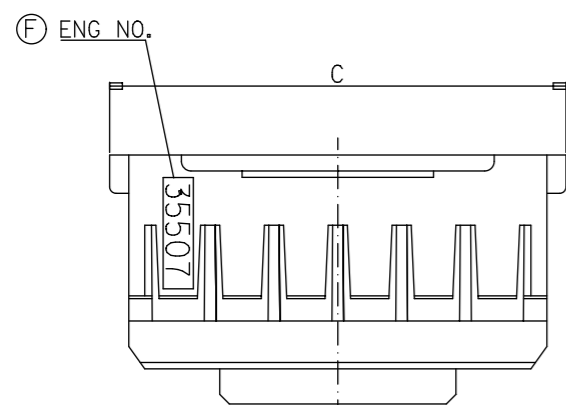
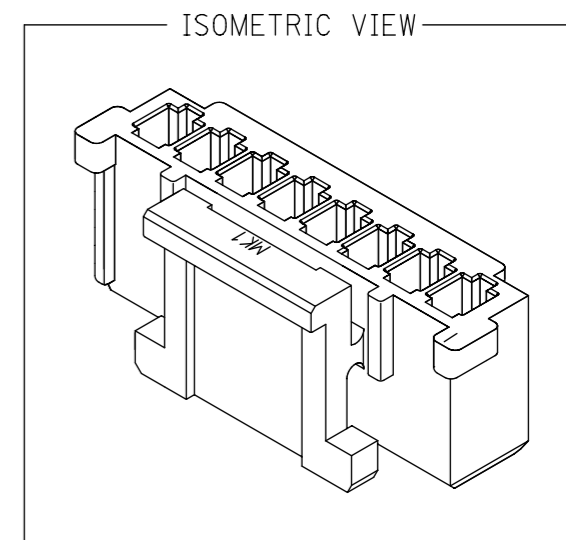
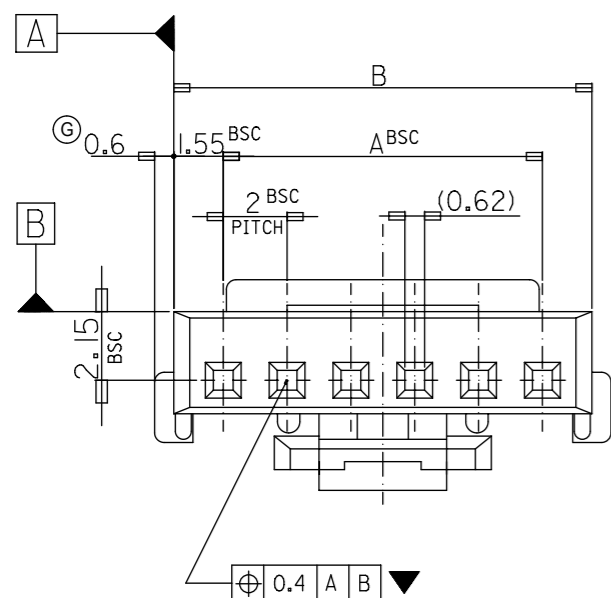


TERMINAL INSERTED DRAWING
SCALE 2:1

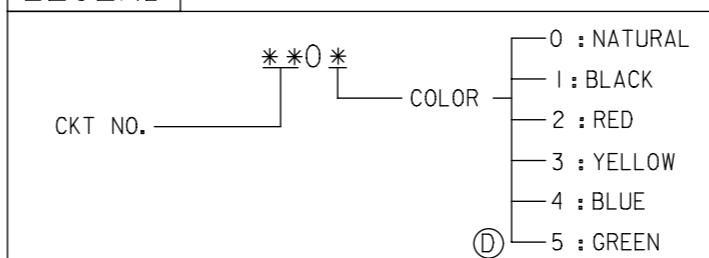


NOTES

1. MATERIAL : POLYESTER, UL94V-0
- ② 2. FINISH : VARIABLE COLOR (SEE LEGEND)
3. PRODUCT SPECIFICATION NO : PS-35507-001
4. APPLICABLE TERMINAL : 50212-8000
5. MATES WITH : 35362-***1*, 35363-***1*

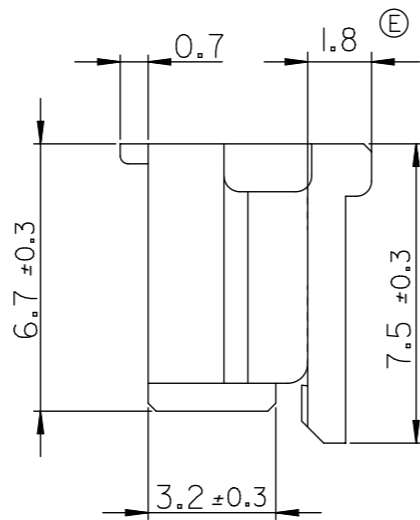
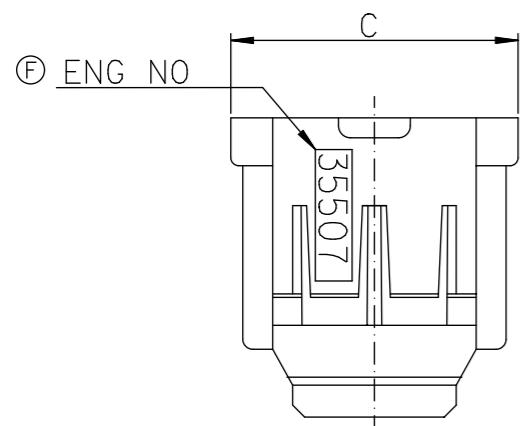
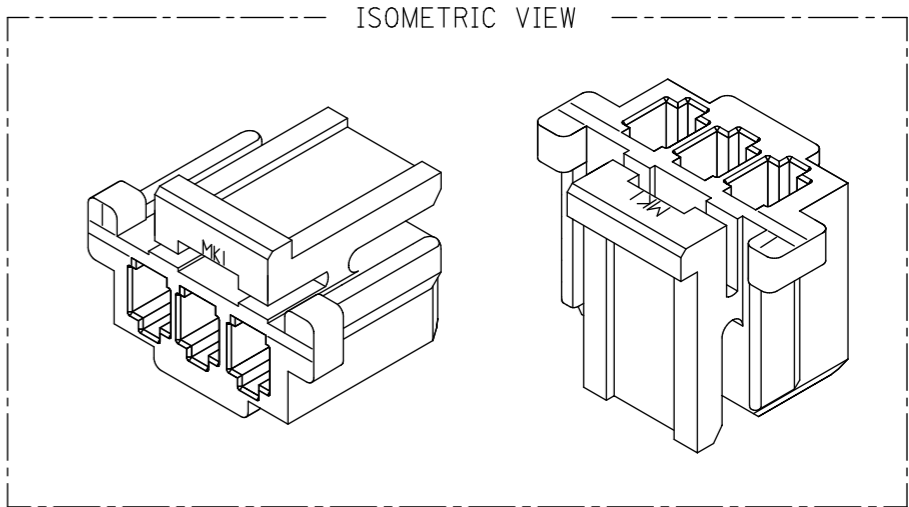
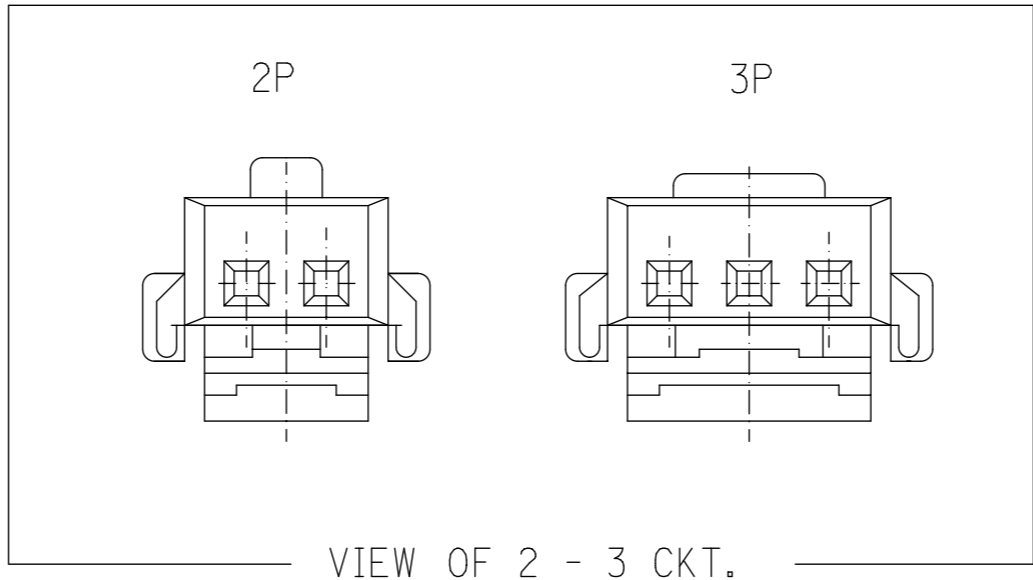
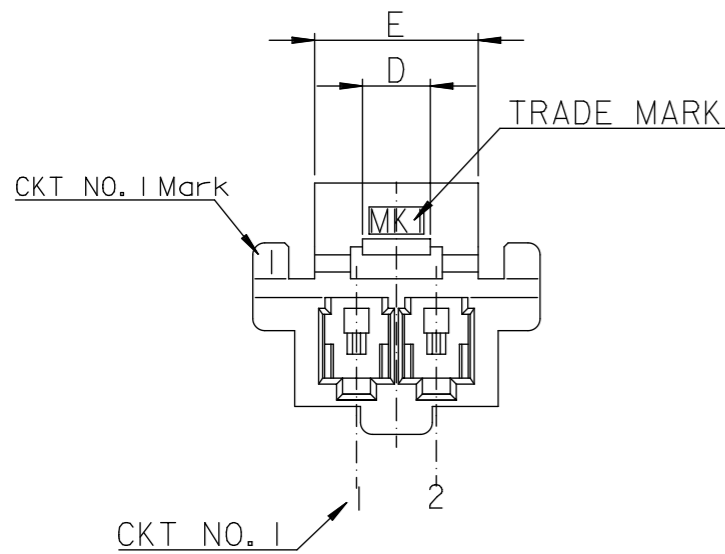


LEGEND



4	4	27.8	32.3	31.1	28	-150*	15
		25.8	30.3	29.1	26	-140*	14
		23.8	28.3	27.1	24	-130*	13
		21.8	26.3	25.1	22	-120*	12
		19.8	24.3	23.1	20	-110*	11
		17.8	22.3	21.1	18	-100*	10
▽	▽	15.8	20.3	19.1	16	-090*	9
8.0	10.8	13.8	18.3	17.1	14	-080*	8
4	4	11.8	16.3	15.1	12	-070*	7
		9.8	14.3	13.1	10	-060*	6
	⑥ 6.8	7.8	12.3	11.1	8	-050*	5
4.0	6.4	5.8	10.3	9.1	6	35507-040*	4
F	E	D	C	B	A	ENG NO.	CKT

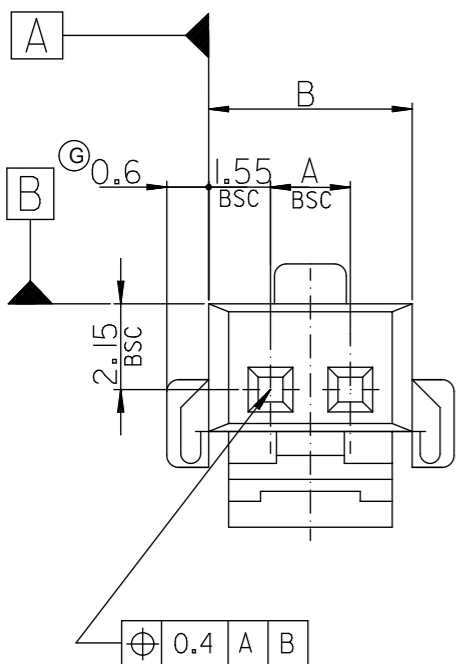
SYMBOLS		THIS DRAWING CONTAINS INFORMATION THAT IS PROPRIETARY TO MOLEX ELECTRONIC TECHNOLOGIES, LLC AND SHOULD NOT BE USED WITHOUT WRITTEN PERMISSION		CURRENT REV DESC:		molex	
▽ = 0	HYBRID	DIMENSION UNITS	SCALE	EC NO: 175346			
▽ = 0	GENERAL TOLERANCES (UNLESS SPECIFIED)	4 PLACES ±	1:1	DRWN: JSSHIN 2018/04/19		2.0 W-T-B CONN HOUSING 4-15P ONLY	
▽ = 0	ANGULAR TOL ± 0.5°	3 PLACES ±		CHK'D: SHCHU 2018/04/20			
▽ = 0		2 PLACES ±		APPR: YSKIM02 2018/04/23		PRODUCT CUSTOMER DRAWING	
▽ = 0		1 PLACE ±		INITIAL REVISION:		DOCUMENT NUMBER	
▽ = 0		0 PLACES ±		DRWN: JHLEE05 2009/12/18		SD-35507-001	
▽ = 0				APPR: YUNSIKKIM 2009/12/21		DOC TYPE DOC PART REVISION	
▽ = 0	DRAFT WHERE APPLICABLE MUST REMAIN WITHIN DIMENSIONS	THIRD ANGLE PROJECTION	DRAWING	SERIES	MATERIAL NUMBER	CUSTOMER	SHEET NUMBER
▽ = 0			A3-SIZE	35507	SEE TABLE	GENERAL	1 OF 1



FOR 2 & 3 CKTS.

LEGEND

CKT NO.	**0*	COLOR	0 : NATURAL
			1 : BLACK
			2 : RED
			3 : YELLOW
			4 : BLUE
			5 : GREEN

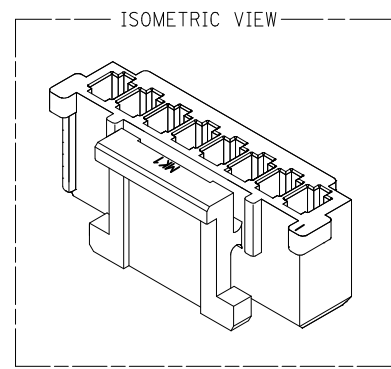
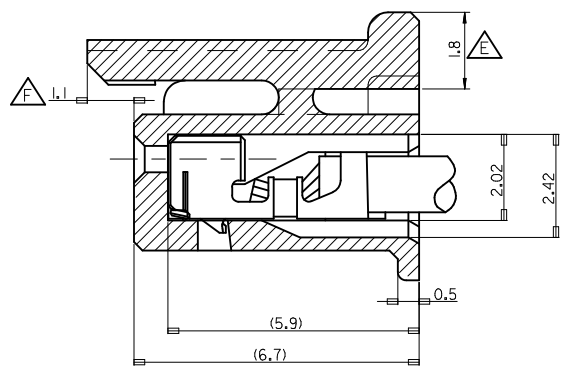
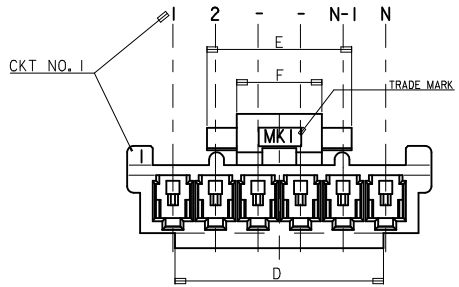


NOTES

1. MATERIAL : POLYESTER, UL94V-0
2. FINISH : VARIABLE COLOR (SEE LEGEND)
3. PRODUCT SPECIFICATION NO : PS-35507-001
4. APPLICABLE TERMINAL : 50212-8000
5. MATES WITH : 35362-***|*, 35363-***|*

6.1	3.5	9.2	7.1	4	35507-030*	3
4.1	1.5	7.2	5.1	2	35507-020*	2
E	D	C	B	A	ENG NO.	CKT

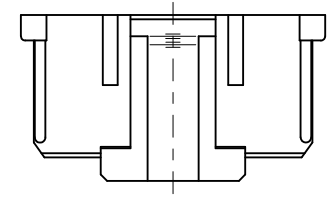
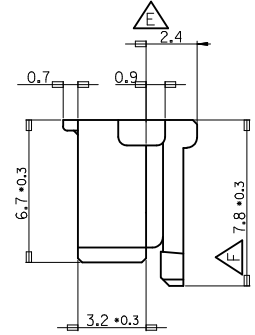
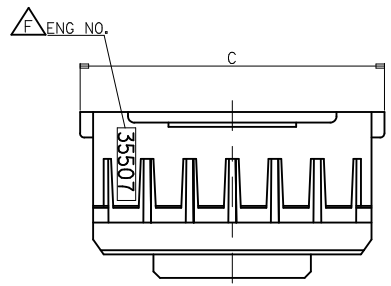
SYMBOLS	THIS DRAWING CONTAINS INFORMATION THAT IS PROPRIETARY TO MOLEX ELECTRONIC TECHNOLOGIES, LLC AND SHOULD NOT BE USED WITHOUT WRITTEN PERMISSION	CURRENT REV DESC:		molex																																																																							
	<table border="1"> <tr> <th>SYMBOLS</th> <th>DIMENSION UNITS</th> <th>SCALE</th> </tr> <tr> <td>▽ = 0</td> <td>mm</td> <td>1:1</td> </tr> <tr> <td>▽ = 0</td> <td colspan="2">GENERAL TOLERANCES (UNLESS SPECIFIED)</td> </tr> <tr> <td>▽ = 0</td> <td>ANGULAR TOL</td> <td>± °</td> </tr> <tr> <td>▽ = 0</td> <td>4 PLACES</td> <td>±</td> </tr> <tr> <td>▽ = 0</td> <td>3 PLACES</td> <td>±</td> </tr> <tr> <td>▽ = 0</td> <td>2 PLACES</td> <td>±</td> </tr> <tr> <td>▽ = 0</td> <td>1 PLACE</td> <td>±</td> </tr> <tr> <td>▽ = 0</td> <td>0 PLACES</td> <td>±</td> </tr> <tr> <td>■ = 0</td> <td colspan="2">DRAFT WHERE APPLICABLE MUST REMAIN WITHIN DIMENSIONS</td> </tr> <tr> <td>▽ = 0</td> <td colspan="2">THIRD ANGLE PROJECTION</td> </tr> </table>	SYMBOLS	DIMENSION UNITS		SCALE	▽ = 0	mm	1:1	▽ = 0	GENERAL TOLERANCES (UNLESS SPECIFIED)		▽ = 0	ANGULAR TOL	± °	▽ = 0	4 PLACES	±	▽ = 0	3 PLACES	±	▽ = 0	2 PLACES	±	▽ = 0	1 PLACE	±	▽ = 0	0 PLACES	±	■ = 0	DRAFT WHERE APPLICABLE MUST REMAIN WITHIN DIMENSIONS		▽ = 0	THIRD ANGLE PROJECTION		<table border="1"> <tr> <td>EC NO: 605910</td> <td>2018/10/11</td> </tr> <tr> <td>DRWN: JSSHIN</td> <td>2018/10/11</td> </tr> <tr> <td>CHK'D: SHCHU</td> <td>2018/10/15</td> </tr> <tr> <td>APPR: YSKIM02</td> <td>2018/10/16</td> </tr> <tr> <td colspan="2">INITIAL REVISION:</td> </tr> <tr> <td>DRWN: YSKIM02</td> <td>1996/09/11</td> </tr> <tr> <td>APPR: CWLEE</td> <td>1996/09/11</td> </tr> </table>		EC NO: 605910	2018/10/11	DRWN: JSSHIN	2018/10/11	CHK'D: SHCHU	2018/10/15	APPR: YSKIM02	2018/10/16	INITIAL REVISION:		DRWN: YSKIM02	1996/09/11	APPR: CWLEE	1996/09/11	<table border="1"> <tr> <td colspan="3">molex</td> </tr> <tr> <td colspan="3">2.0 W-T-B CONN HOUSING 2 TO 3P ONLY</td> </tr> <tr> <td colspan="3">PRODUCT CUSTOMER DRAWING</td> </tr> <tr> <td>DOCUMENT NUMBER</td> <td>DOC TYPE</td> <td>DOC PART</td> </tr> <tr> <td>SD-35507-001</td> <td>PSD</td> <td>002</td> </tr> <tr> <td>REVISION</td> <td colspan="2">G2</td> </tr> <tr> <td>MATERIAL NUMBER</td> <td>CUSTOMER</td> <td>SHEET NUMBER</td> </tr> <tr> <td>SEE TABLE</td> <td>GENERAL MARKET</td> <td>1 OF 1</td> </tr> </table>		molex			2.0 W-T-B CONN HOUSING 2 TO 3P ONLY			PRODUCT CUSTOMER DRAWING			DOCUMENT NUMBER	DOC TYPE	DOC PART	SD-35507-001	PSD	002	REVISION	G2		MATERIAL NUMBER	CUSTOMER	SHEET NUMBER	SEE TABLE
SYMBOLS	DIMENSION UNITS	SCALE																																																																									
▽ = 0	mm	1:1																																																																									
▽ = 0	GENERAL TOLERANCES (UNLESS SPECIFIED)																																																																										
▽ = 0	ANGULAR TOL	± °																																																																									
▽ = 0	4 PLACES	±																																																																									
▽ = 0	3 PLACES	±																																																																									
▽ = 0	2 PLACES	±																																																																									
▽ = 0	1 PLACE	±																																																																									
▽ = 0	0 PLACES	±																																																																									
■ = 0	DRAFT WHERE APPLICABLE MUST REMAIN WITHIN DIMENSIONS																																																																										
▽ = 0	THIRD ANGLE PROJECTION																																																																										
EC NO: 605910	2018/10/11																																																																										
DRWN: JSSHIN	2018/10/11																																																																										
CHK'D: SHCHU	2018/10/15																																																																										
APPR: YSKIM02	2018/10/16																																																																										
INITIAL REVISION:																																																																											
DRWN: YSKIM02	1996/09/11																																																																										
APPR: CWLEE	1996/09/11																																																																										
molex																																																																											
2.0 W-T-B CONN HOUSING 2 TO 3P ONLY																																																																											
PRODUCT CUSTOMER DRAWING																																																																											
DOCUMENT NUMBER	DOC TYPE	DOC PART																																																																									
SD-35507-001	PSD	002																																																																									
REVISION	G2																																																																										
MATERIAL NUMBER	CUSTOMER	SHEET NUMBER																																																																									
SEE TABLE	GENERAL MARKET	1 OF 1																																																																									



TERMINAL INSERTED DRAWING
SCALE 8:1

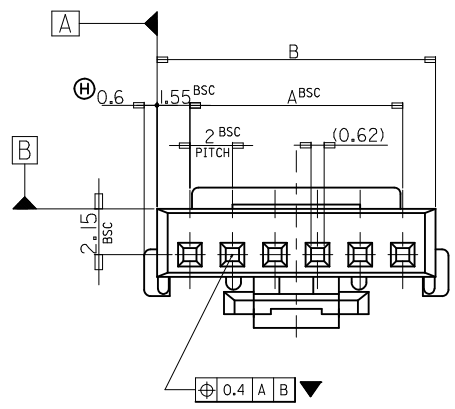
NOTES

1. MATERIAL : POLYESTER, NON GLASS FILLED, UL94V-0
2. FINISH : VARIABLE COLOR (SEE LEGEND)
3. PRODUCT SPECIFICATION : PS-35507-001
4. APPLICABLE TERMINAL : 50212-8000
5. MATES WITH : 35362-***, 35363-***



LEGEND

CKT NO.	***0*	COLOR	0 : NATURAL
			1 : BLACK
			2 : RED
			3 : YELLOW
			4 : BLUE
			5 : GREEN



8.0	10.8	37.8	42.3	41.1	38	35507200*	35507-200*	20
8.0	10.8	35.8	40.3	39.1	36	35507190*	35507-190*	19
8.0	10.8	33.8	38.3	37.1	34	35507180*	35507-180*	18
8.0	10.8	31.8	36.3	35.1	32	35507170*	35507-170*	17
8.0	10.8	29.8	34.3	33.1	30	35507160*	35507-160*	16
F	E	D	C	B	A	MATERIAL NO.	ENG NO.	CKT

REVISED EC NO: KOR2008-0029 DRWN: JHLEE05 2009/12/18 CHKD: KSK IM 2009/12/18 APPR: YUNSIKKIM 2009/12/18	QUALITY SYMBOLS	GENERAL TOLERANCES (UNLESS SPECIFIED)	DIMENSION STYLE	SCALE	DESIGN UNITS	THIRD ANGLE PROJECTION
	▼ = 0 ◻ = 0	mm INCH 4 PLACES ± --- ± --- 3 PLACES ± --- ± --- 2 PLACES ± --- ± --- 1 PLACE ± --- ± --- ANGULAR ± ---°	MM ONLY	1:1	METRIC	
	DESCRIPTION	DRAFT WHERE APPLICABLE MUST REMAIN WITHIN DIMENSIONS	DRAWN BY: YSKIM02 DATE: 1996/09/11 CHECKED BY: DATE: 1996/09/11 APPROVED BY: DATE: 1996/09/11 CWLEE	2.0 W-T-B CONN HOUSING		
	REV		MATERIAL NO.	DOCUMENT NO.	MOLEX INCORPORATED	
			SEE TABLE	SD-35507-001		SHEET NO.