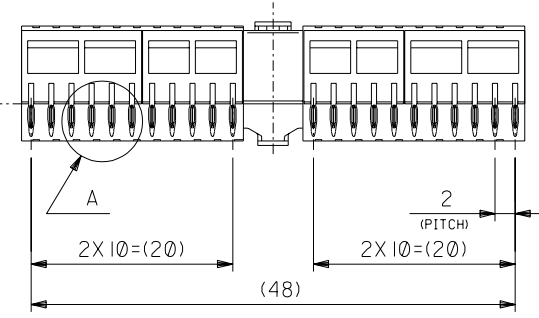
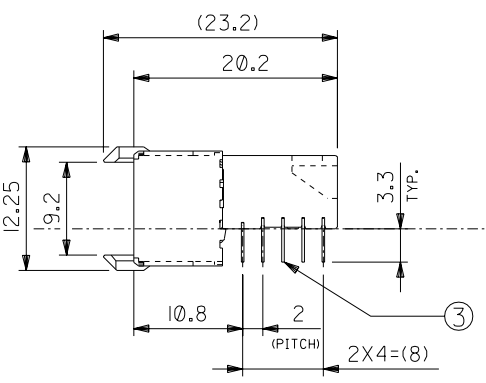
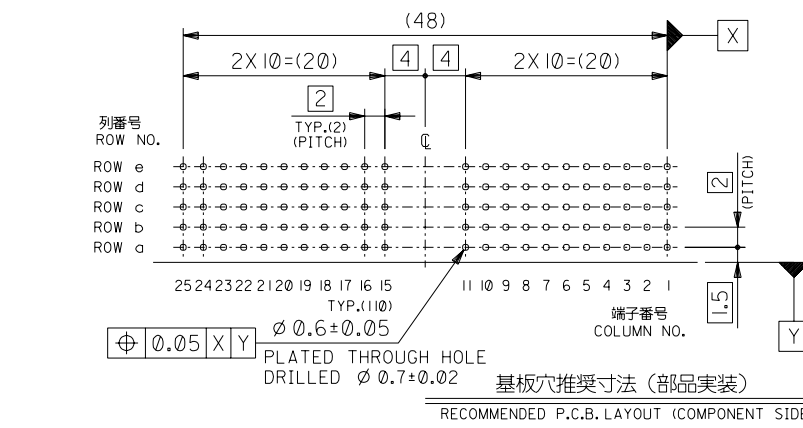
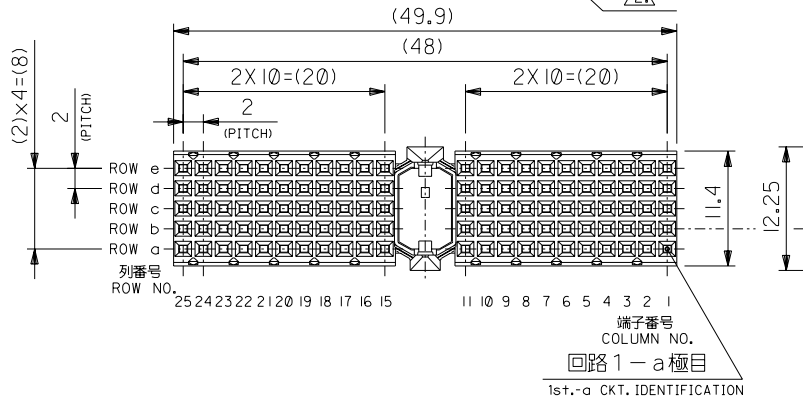
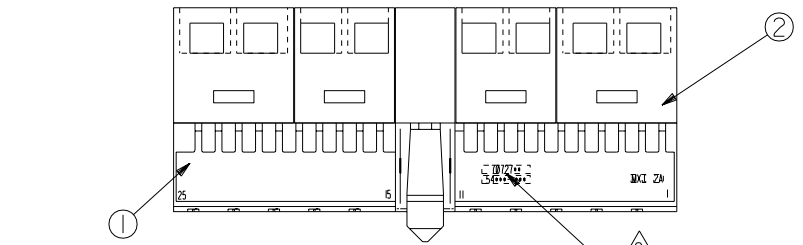


DWG. NO. SD-54457-010

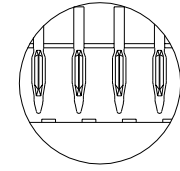
番号 No.	部品 PART NAME	材質 MATERIAL	仕上げ FINISH
①	リセプタクル ハウジング RECEPTACLE HOUSING	液晶ポリマー、ガラス充填、自然色(白)、UL94V-0 LIQUID CRYSTAL POLYMER, GLASS FILLED, NATURAL(WHITE), UL94V-0	—
②	リセプタクル カバー RECEPTACLE COVER	液晶ポリマー、ガラス充填、自然色(白)、UL94V-0 LIQUID CRYSTAL POLYMER, GLASS FILLED, NATURAL(WHITE), UL94V-0	—
③	リセプタクル ターミナル RECEPTACLE TERMINAL	りん青銅 PHOSHOR BRONZE	△1



注記  
NOTES

- △1 ターミナルめっき仕様  
TERMINAL PLATING  
金めっき: 0.8 μm MIN.(接点部)  
GOLD: 0.8 μm MIN.(CONTACT AREA)  
半田めっき: 0.5 μm MIN.(プレスフィット部)  
TIN-LEAD: 0.5 μm MIN.(PRESS-FIT AREA)  
ニッケルめっき: 1.3 μm MIN.(下地めっき)  
NICKEL: 1.3 μm MIN.(UNDER PLATING)
- △2 製品番号及びロットナンバー  
MATERIAL NO. & LOT NO.

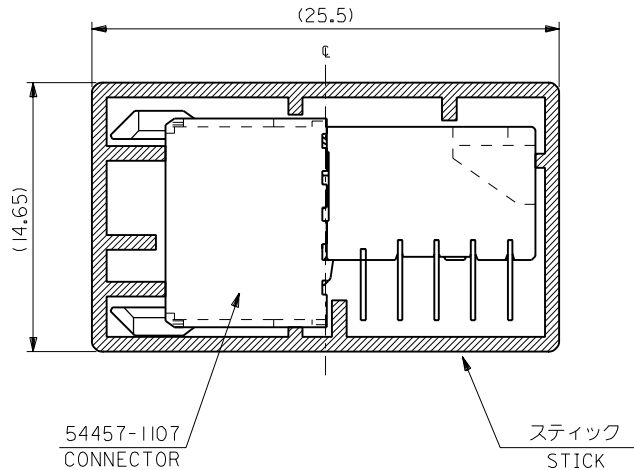
PRESS-FIT TAIL



DETAIL A  
(SCALE:4-1)

DO NOT SCALE DRAWING

EC NO. DRWN: CHK: APPR:	EC NO. DRWN: CHK: APPR:	EC NO. DRWN: CHK: APPR:	EC NO. J2002-2423 DRWN: S.ANDO CHK: A.NODA APPR: A.NODA	EC NO. J2001-0328 DRWN: S.HOSIKAWA CHK: A.NODA APPR: H.IKESUGI	MATERIAL 材料	GENERAL TOLERANCES: (UNLESS SPECIFIED) 一般公差	SCALE 2-1	DESIGN UNITS <input checked="" type="checkbox"/> mm <input type="checkbox"/> INCH	THIRD ANGLE PROJECTION	54457-1107	54457-1107	54457-1107	110
			REVISED	RELEASED	FINISH 仕上げ	10 UNDER 未満	DRAWN BY & DATE <i>S. Noda</i>	<input type="checkbox"/> mm <input type="checkbox"/> INCH <input checked="" type="checkbox"/> mm ONLY	<input type="checkbox"/> mm <input type="checkbox"/> INCH	MATERIAL NO.	MATERIAL NO.	MATERIAL NO.	極数 PIN
					WIRE RANGE 適用層被覆範囲	10 OVER 30 UNDER 以上 未満	CHECKED BY & DATE <i>A. Noda</i>			MODEL NO.	MODEL NO.	MODEL NO.	REV
					INS. RANGE 被覆外径	30 OVER 以上	APPROVED BY & DATE <i>S. Noda</i>			TITLE: "MZP" B/B CONN. RECEPTACLE R/A ASS'Y TYPE A W/O PEG			REVISION REVISE ON CAD ONLY
						ANGLE 角度	CAD FILENAME SD-54457-010.S01			MATERIAL NO.	DRAWING NO.	DRAWING NO.	SHEET NO. 1 OF 1
							THIS DRAWING CONTAINS INFORMATION THAT IS PROPRIETARY TO MOLEX INCORPORATED AND SHOULD NOT BE USED WITHOUT WRITTEN PERMISSION.						SIZE B



注記 NOTES

1. スティック両端はテープ止め。  
BOTH ENDS WITH TAPES.
2. 全長：600±2mm  
TOTAL LENGTH：600±2mm
3. 肉厚：0.8±0.2mm  
THICKNESS：0.8±0.2mm

DO NOT SCALE DRAWING

④NO. DRWN: CHK: APPR:	③NO. DRWN: CHK: APPR:	②NO. DRWN: CHK: APPR:	REVISED ④NO. JD2001-0854 DRWN: UHASEGAWA 00/02/19 CHK: ANODA APPR: HIKESUGI	RELEASED ④NO. JD2001-0328 DRWN: S.HOSHIKAWA 00/05/31 CHK: ANODA APPR: HIKESUGI	MATERIAL 材料 スティック：ポリ塩化ビニル STICK：P.V.C.	GENERAL TOLERANCES: (UNLESS SPECIFIED) 一般公差	SCALE 4-1	DESIGN UNITS <input checked="" type="checkbox"/> mm <input type="checkbox"/> INCH	PROJECTION ANGLE <input type="checkbox"/> mm <input type="checkbox"/> INCH <input checked="" type="checkbox"/> mm ONLY	SHT REVISE ON CAD ONLY	REV			
FINISH 仕上げ	—	WIRE RANGE 適用線径範囲	—	INS. RANGE 被覆外径	—	10 UNDER 未満	+0.2	10 OVER 以上	30 UNDER 未満	+0.25	30 OVER 以上	+0.3	ANGLE 角度	+3°

MODEL NO. : 54457-1105		DIMENSIONS:		SHT	REV
II 梱包数		54457-1105		IIO 極数	
QUANTITY		MATERIAL NO.		PIN	
DRAWN BY & DATE <i>S. Nakamura</i>			TITLE: "MZIP" B/B CONNECTOR 54457-1107 STICK PACKAGING		
CHECKED BY & DATE <i>A. Nozaki</i>			APPROVED BY & DATE <i>S. Nozaki</i>		
CAD FILE NAME SD-54457-043.S01		MATERIAL NO. SEE CHART	DRAWING NO. SD-54457-043		SHEET NO. 1 OF 1
THIS DRAWING CONTAINS INFORMATION THAT IS PROPRIETARY TO MOLEX INCORPORATED AND SHOULD NOT BE USED WITHOUT WRITTEN PERMISSION.					SIZE B