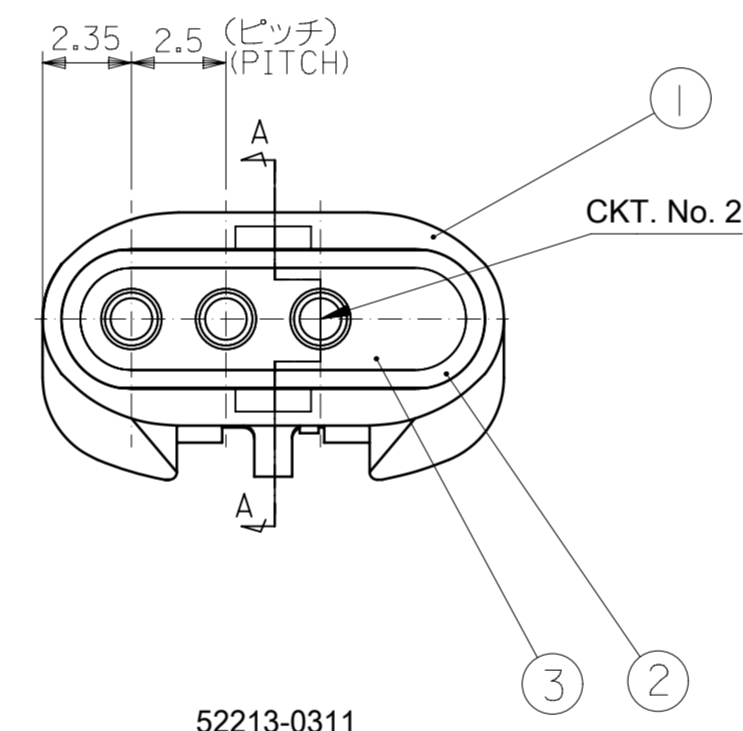
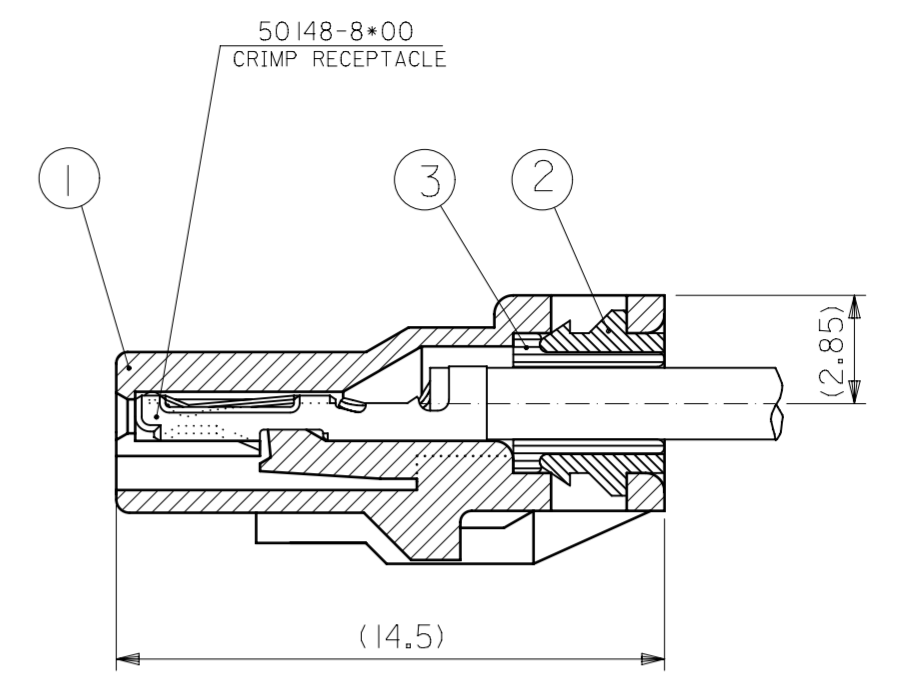


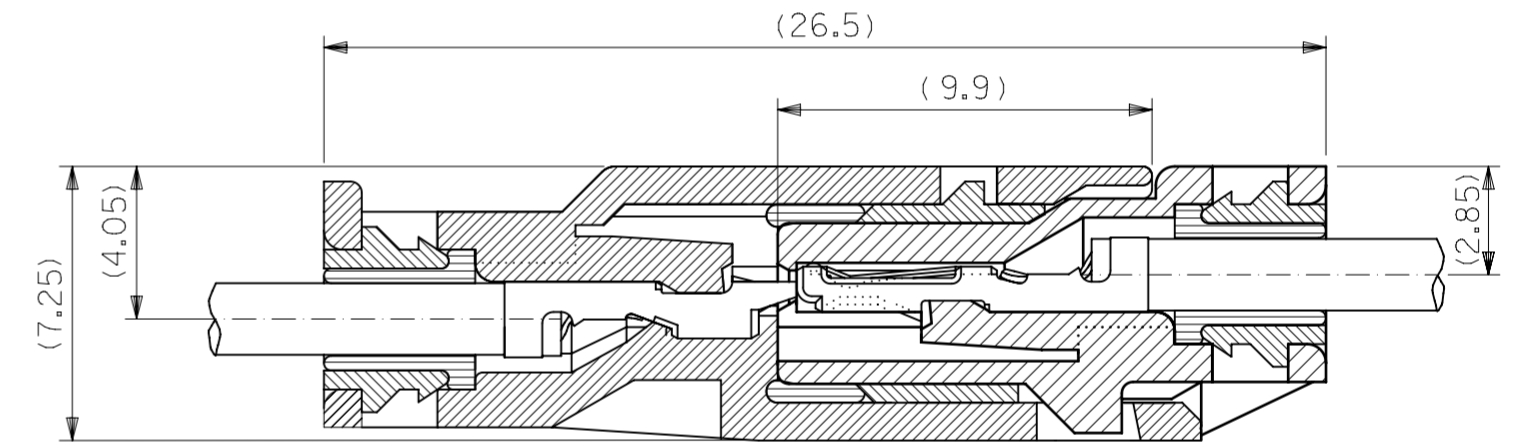
52213-041*



52213-0311



端子装着時の断面 A-A
SECT.A-A TERM.ASSEMBLY DRAWING



嵌合状態図
FULLY MATED CONDITION

注記
NOTE

- 適合端子 : 50148-8*00
APPLICABLE TERMINAL : 50148-8*00
- 嵌合相手 : 52266-**1*
MATES WITH : 52266-**1*
- 製品仕様書 : PS-52213-003
PRODUCT SPECIFICATION : PS-52213-003
- 取扱説明書 : AS-52213-001
APPLICATION SPECIFICATION : AS-52213-001

茶 BROWN	52213-0417	4
青 BLUE	52213-0414	4
黒 BLACK	52213-0411	4
白 WHITE	52213-0410	4
黒 BLACK	52213-0311	3
ハウジングの色 HOUSING COLOR	製品番号 MATERIAL NO.	極数 NO. OF CKT.

THIS DRAWING CONTAINS INFORMATION THAT IS PROPRIETARY TO MOLEX ELECTRONIC TECHNOLOGIES, LLC AND SHOULD NOT BE USED WITHOUT WRITTEN PERMISSION

DIMENSION UNITS	SCALE	CURRENT REV DESC:
mm	5:1	
GENERAL TOLERANCES (UNLESS SPECIFIED)		EC NO: 608579
10 UNDER	±0.2	DRWN: MSATO08 2018/12/04
10 OVER 30 UNDER	±0.25	CHK'D: HKOMATSU 2018/12/05
30 OVER	±0.3	APPR: TOSADA 2018/12/06
ANGULAR ±3°		INITIAL REVISION:
1 PLACE ±		DRWN: SKATAOKA 2006/09/21
0 PLACES ±		APPR: NUKITA 2006/09/26
DRAFT WHERE APPLICABLE MUST REMAIN WITHIN DIMENSIONS		THIRD ANGLE PROJECTION
		DRAWING SERIES
		A2-SIZE 52213

molex			
2.5 MINI WATERPROOF CONN REC HSG ASSY (3 AND 4 CKT.)			
PRODUCT CUSTOMER DRAWING			
DOCUMENT NUMBER	DOC TYPE	DOC PART	REVISION
SD-52213-001	PSD	001	A3
MATERIAL NUMBER	CUSTOMER	SHEET NUMBER	
SEE CHART	GENERAL MARKET	1 OF 1	

GENERAL TOLERANCES (UNLESS SPECIFIED)		
10 UNDER	±0.2	
10 OVER 30 UNDER	±0.25	
30 OVER	±0.3	
ANGULAR ±3°		
INITIAL REVISION:		
DRWN	S.KATAOKA	2006/09/11
CHECK	K.TOYODA	2006/09/11
APPR	N.UKITA	2006/09/11

シリコンゴム SILICONE	青 BLUE	ワイヤーエンドシール WIRE END SEAL	③
ポリエステル (15%G.F.) POLYESTER (15%G.F.)	灰 GRAY	キャップ CAP	②
ポリエステル (15%G.F.) POLYESTER (15%G.F.)	表参照 SEE CHART	レセプタクルハウジング RECEPTACLE HOUSING	①
材料 MATERIAL	色 COLOR	名称 TITLE	
構成部品 COMPONENTS			

DOCUMENT STATUS	P1	RELEASE DATE	2018/12/06	01:38:35
-----------------	----	--------------	------------	----------