

TPS68000EVM-202 Dual Lamp Evaluation Module

This user's guide describes the characteristics, operation, and use of the TPS68000EVM evaluation module (EVM). This EVM is designed to help the user easily evaluate and test the operation and functionality of the TPS68000. The document includes setup instructions for the hardware, a schematic diagram, a bill of materials, and PCB layout drawings for the evaluation module.

Contents

1	Introduction	2
2	Setup and Results	4
3	Board Layout	9
4	Schematic and Bill of Materials	12

List of Figures

1	Lamp 1 and Lamp2 VSEN Test Points	6
2	Lamp 1 VSEN Test Point and Lamp 1 Voltage	6
3	Lamp 1 and Lamp 2 CSEN Test Point.....	7
4	Lamp 1 CSEN Test Point, Lamp 1 Current, and CSEN SUM Test Point	7
5	Lamp 1 and Lamp 2 VSEN Test Point Lamp Strike (Turn ON)	8
6	Internal Burst Dimming 50%, BBR Pin at 1 V.....	8
7	Open-Lamp Shutdown, Time 1.65 Seconds, Lamp 1 Voltage.....	9
8	Open-Lamp Voltage Regulation, 1295 Vrms.....	9
9	Assembly Layer	10
10	Top Layer Routing	11
11	Bottom Layer Routing	11
12	TPS68000EVM-202 Schematic	12

List of Tables

1	Performance Specification Summary	2
2	I/O for Unit	4
3	I/O for Lamp 1 and Lamp 2 Sections	4
4	Test Points Unit	4
5	TPS68000EVM-202 Bill of Materials	13

1 Introduction

The Texas Instrument TPS68000EVM-202 evaluation module (EVM) helps designers evaluate the operation and performance of the TPS68000 cold cathode fluorescent lamp (CCFL) controller. The TPS68000EVM-202 is a fully functional DC/AC inverter module used to drive two CCFL lamps from a single controller. This EVM operates from an input supply of 10 V to 20 V and generates up to 600 Vrms at 6 mArms. The EVM drives two CCFL lamps with a 6-mArms constant current each. The EVM's output voltage is determined by the CCFL lamp characteristics. The typical output voltage is 600 Vrms for a 300-mm length CCFL lamp like the JKL Components BF3300-208 lamp.

Note: As with all CCFL inverters, high AC voltages are present on the outputs, and therefore care should be taken to avoid shock hazards and equipment damage.

1.1 Related Documentation From Texas Instruments

TPS68000, Highly Efficient Phase Shift Full Bridge CCFL Controller data sheet ([SLVS524](#))

1.2 Background

The TPS68000EVM-202 uses the TPS68000 configured to drive two transformers and lamps. The advantages of this configuration are improved lamp strike and current regulation. With each lamp powered from its own transformer, strike of one lamp does not load the second transformer and reduce voltage on the un-ignited lamp.

Lamp current is diode-ORed together, and the greater current is used for regulation. Another option is to sum both lamp currents together in a common lamp return resistor for regulation.

Overcurrent (OCP) and overvoltage (Vsen) detection from each circuit are also diode-ORed together for protection.

Although the TPS68000 is capable of operating from an 8-V to 30-V input range, this EVM is only designed to operate from a 10-V to 20-V input range.

Additional lower input voltage configurations are also possible. Output voltage and current are a function of transformer and circuit design.

1.3 Performance Specification

Table 1-1 provides a summary of the TPS68000EVM-202 performance specifications. All specifications are given for an ambient temperature of 25°C.

Table 1. Performance Specification Summary

Specification	Min	Typ	Max	Unit
Input voltage	10	15	20	V
Input current		700		mA
Output current		5.7		mArms
Output voltage		720		Vrms
Efficiency		80%		
Strike voltage		1300		Vrms
Open lamp delay		1.6		S
Operating frequency		56		kHz
Burst dimming frequency		100		Hz
Burst dimming range	0		2	V
Analog dimming range	0		3.3	V

1.4 Modifications

No modifications are provided for this unit.

1.4.1 Analog Dimming Adjustment

R2 adjusts the analog dimming of U1 to increase or decrease brightness. With analog dimming, the lamp current regulation point is changed to vary the lamp brightness. R14 or R15 initially sets the lamp current to 6 mArms. Full counterclockwise setting of R2 sets the lamp current to the maximum brightness level of 6 mArms. Full clockwise setting of R8 adjusts the lamp to minimum brightness. ABR voltage can be monitored at J5. Dimming voltage range is 3.3 V to 0 V. Note that typically when the lamp current is reduced below 3 mArms, performance is degraded; this is a lamp characteristic not an IC characteristic.

An external ABR voltage can be applied to J5 to control the lamp current. If this feature is used, then R2 should be set to midrange ~1.65 V. The range of the external ABR voltage should be 3.3 V to 0 V.

1.4.2 Internal Burst Dimming Adjustment

The TPS68000 internal burst dimming feature (BBR) is adjusted using R1. A voltage of 2 V to 0 V changes the PWM duty cycle of the lamps to change brightness. For example, 2 V at the BBR pin corresponds to 100% duty cycle, whereas 0 V corresponds to a 0% duty cycle. This voltage can be monitored at J3 connector. Turn R1 clockwise to reduce brightness and duty cycle and counterclockwise to increase brightness and duty cycle.

Burst dimming frequency is set by the capacitor at the BF pin. The EVM uses a 0.47- μ F capacitor for a frequency of 100 Hz. See the data sheet ([SLVS524](#)) for the equation.

A voltage can be applied at J3 to externally control BBR, but R1 should be set for midrange (2.5 V) before applying the external voltage. The range of the external BBR voltage should be 2 V to 0 V.

For proper operation of the external burst dimming (BC) function, set R1 fully counterclockwise which applies +5 V at BBR.

1.4.3 External Burst Dimming Adjustment

The EVM can be configured for external burst dimming by using the BC input at J4. A digital signal can be applied at this input to PWM-dim all the lamps. The BC pin detects the input transition and automatically switches to external burst dimming. A 0-V signal turns the lamps off, and voltage greater than 1.4 V turns the lamps on. A burst dimming frequency of 100 HZ to 200 HZ is recommended.

For proper operation of the external burst dimming (BC) function, R1 should be set fully counterclockwise which applies +5 V at BBR.

2 Setup and Results

This section describes how to properly use the TPS68000EVM-202.

2.1 Input/Output Connector and Header Descriptions

Table 2. I/O for Unit

Signal		Connector
Vin	Power supply positive input	J1
GND	Power supply return input	J2
EN	Enable input, OFF and ON setting; no jumper is ON	JP1
BBR	Internal burst dimming monitor or input; set by R1 active range 2 V to 0 V	J3
BC	Burst dimming input signal	J4
ABR	Analog burst dimming voltage; set by R2 from 3.3 V to 0 V.	J5
FAULT	Fault output bus signal, open-collector signal	J6

Table 3. I/O for Lamp 1 and Lamp 2 Sections

Signal Name	Lamp 1 Section	Lamp 2 Section
High-voltage AC output to lamp	TP16	TP11
High-voltage return from lamp	TP17	TP12
Overcurrent protection test point (OCP), transformer primary current	TP9	TP10
Current sense test point (Csen), lamp return current sense resistor	TP18	TP13
Voltage sense test point (Vsen), output voltage divider sample voltage	TP15	TP14

Table 4. Test Points Unit

Signal	Test Point
Sync Sync out of U1, digital signal at operating freq set by R7	TP3
GND For sync test point	TP2
Sum OCP Overcurrent sum from lamp 1 and lamp 2	TP5
Sum VSEN Voltage sense sum from lamp 1 and lamp 2	TP4
Sum CSEN Current sense sum from lamp 1 and lamp 2	TP6
GND For TP4, TP5, and TP6	TP1
SA H-bridge output to transformers	TP7
SC H-bridge output to transformers	TP8

2.2 Setup

CAUTION

High AC voltage is present at output terminals when input voltage is applied. Make all connections with the input supply OFF.

Do not place the EVM or lamp on a conductive surface. Do not run output leads across EVM or input voltage leads.

Minimum connections:

- J1/J2 power supply input
- Lamp 1 connected at TP16 (HV) and TP17 (RTN)
- Lamp 2 connected at TP11(HV) and TP12 (RTN)
- Set R1 and R2 fully counterclockwise.
- JP1 install shorting jumper in OFF position, after applying power remove jumper to turn unit ON.

2.3 Output Voltage and VSEN Test Point

Output voltage can be monitored at the low-voltage VSEN test points TP14 and TP15, without special equipment. VSEN is a divided-down sample of the output voltage used by the TPS68000 for voltage monitoring and regulation. Divide ratio is 1:1000.

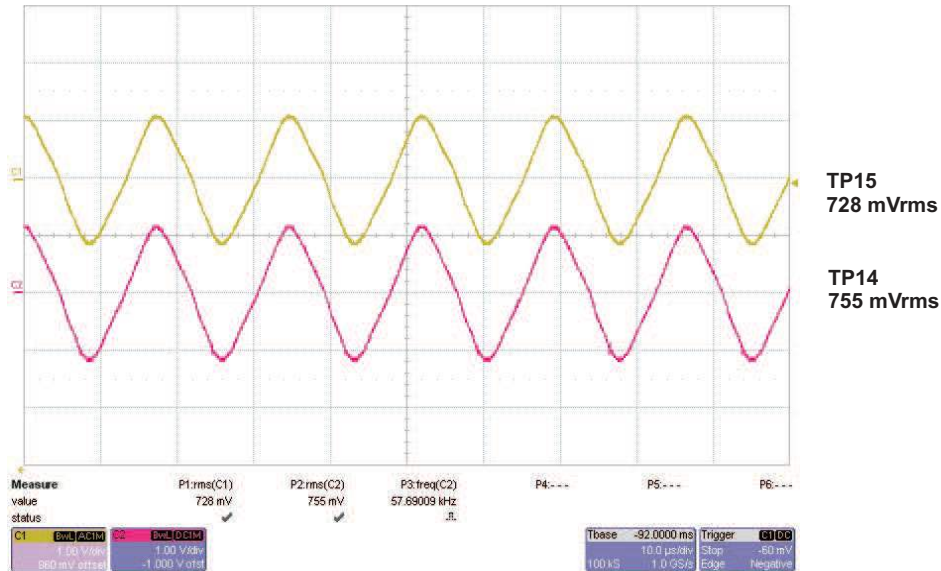


Figure 1. Lamp 1 and Lamp2 VSEN Test Points

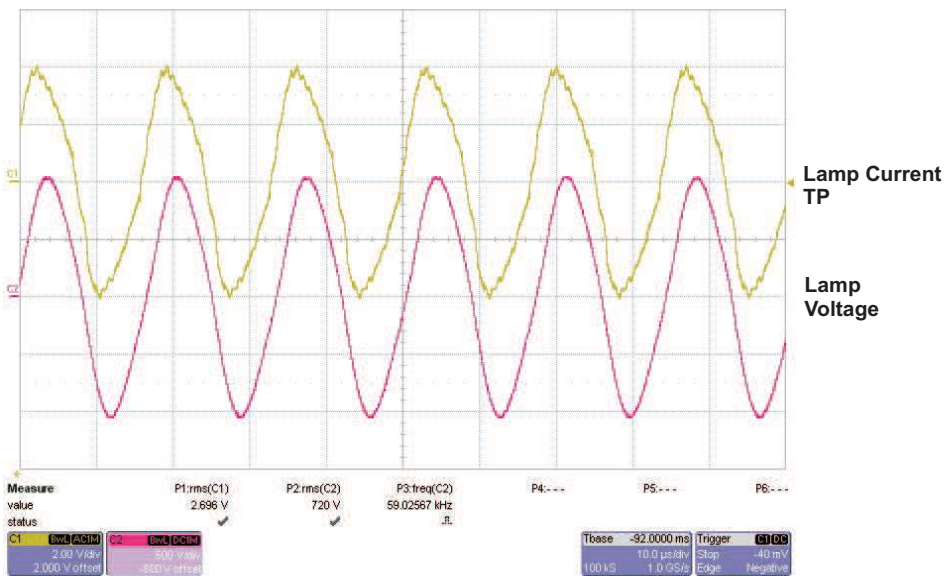


Figure 2. Lamp 1 VSEN Test Point and Lamp 1 Voltage

2.4 Output Current and CSEN Test Point

Output current can be monitored at the CSEN test points TP18 and TP13, without special equipment. CSEN is an input to the TPS68000 for regulating output current. Divide ratio for both lamp 1 and lamp 2 are 0.45 V to 1 mA. During normal operation, the CSEN sum test point TP6 is regulating at 2.4 Vrms.

Figure 3 shows lamp current measured using an external current probe versus CSEN test point.

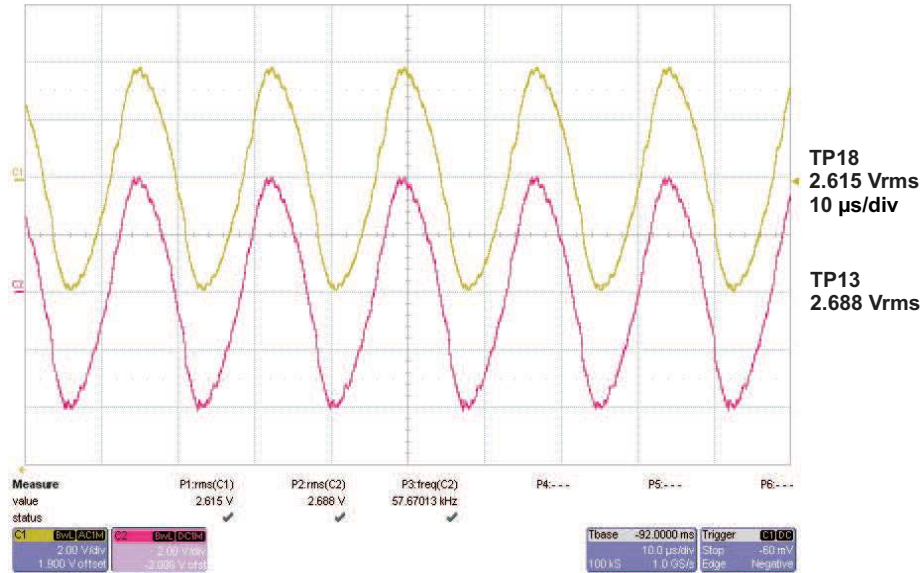


Figure 3. Lamp 1 and Lamp 2 CSEN Test Point

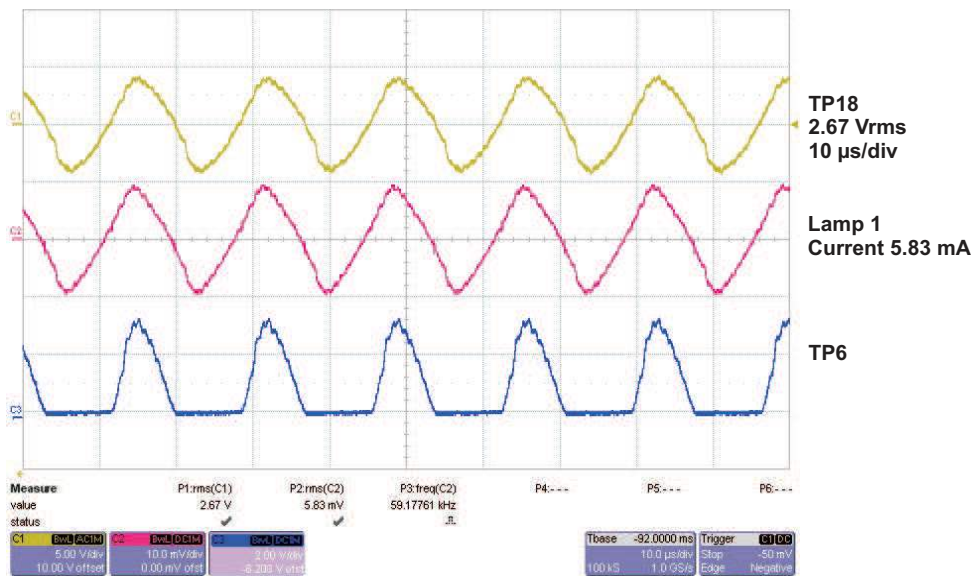


Figure 4. Lamp 1 CSEN Test Point, Lamp 1 Current, and CSEN SUM Test Point

2.5 Power Up

During power up, the lamp strikes, and then goes into a current regulation mode. During lamp strike, the lamp has high resistance because no gas is being ionized. The voltage required to strike the lamp is typically twice the voltage required for normal operation. After the lamp strikes, current flows through the lamp, and the TPS68000 transitions to a current regulation mode.

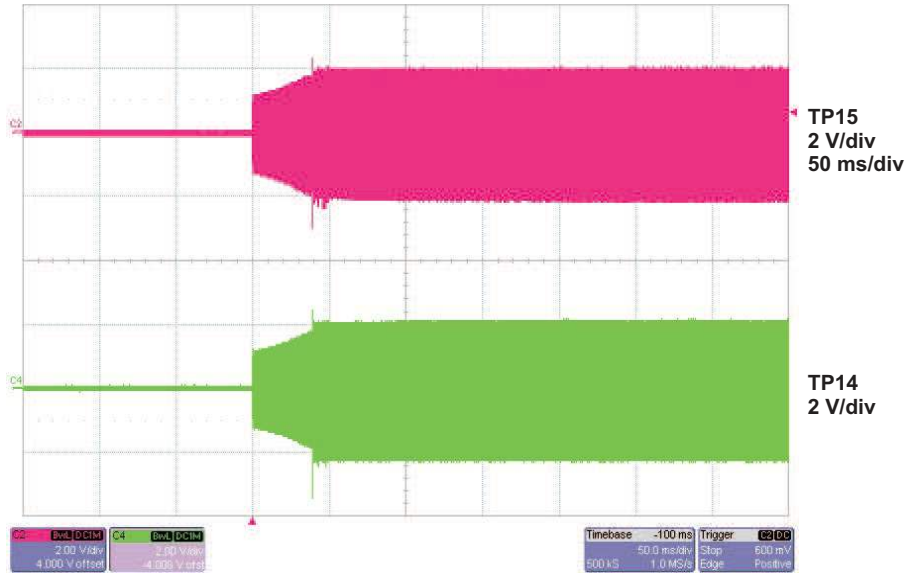


Figure 5. Lamp 1 and Lamp 2 VSEN Test Point Lamp Strike (Turn ON)

2.6 Burst Dimming

R1 controls burst dimming. The adjustment range is 2 V to 0 V. Figure 4 shows the lamp current when R1 sets at 1 V to produce a 50% duty cycle burst dimming waveform. Note the reduced soft start at turn on.

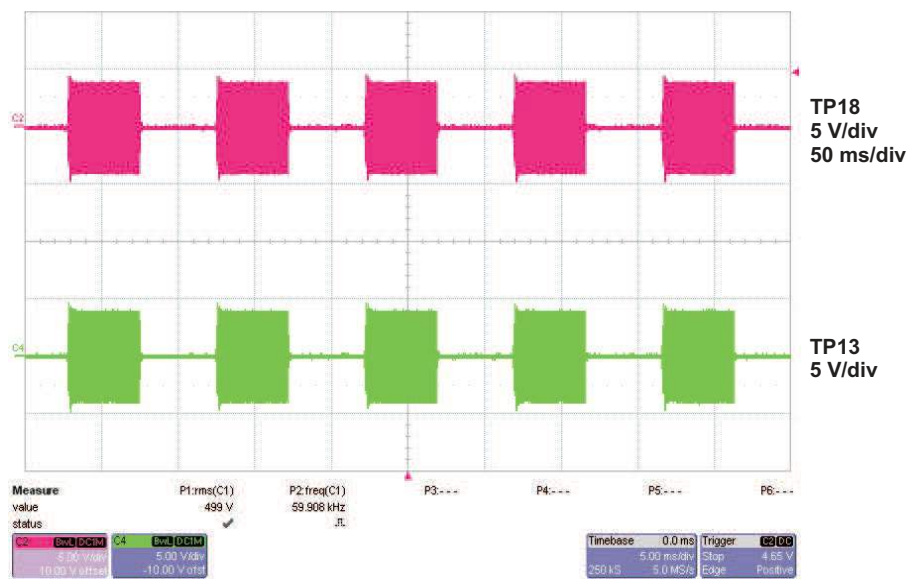


Figure 6. Internal Burst Dimming 50%, BBR Pin at 1 V

2.7 Open-Lamp Shutdown and Voltage Regulation

The VSEN is used to detect an open-lamp condition and protect the inverter from overvoltage. If one of the lamps is disconnected or damaged, the circuit is open and voltage could be very high, damaging the transformer and circuit board. Output voltage is monitored and regulated by VSEN input. See the data sheet (SLVS524) for the set point. For this unit, it is set to 1300 Vrms.

Also, the open-lamp condition could be due to a cold lamp or a hard to strike lamp; for those conditions, the open-lamp voltage is held on for a set time. This time is set by C7 for 1.6 seconds. See the data sheet for calculations.

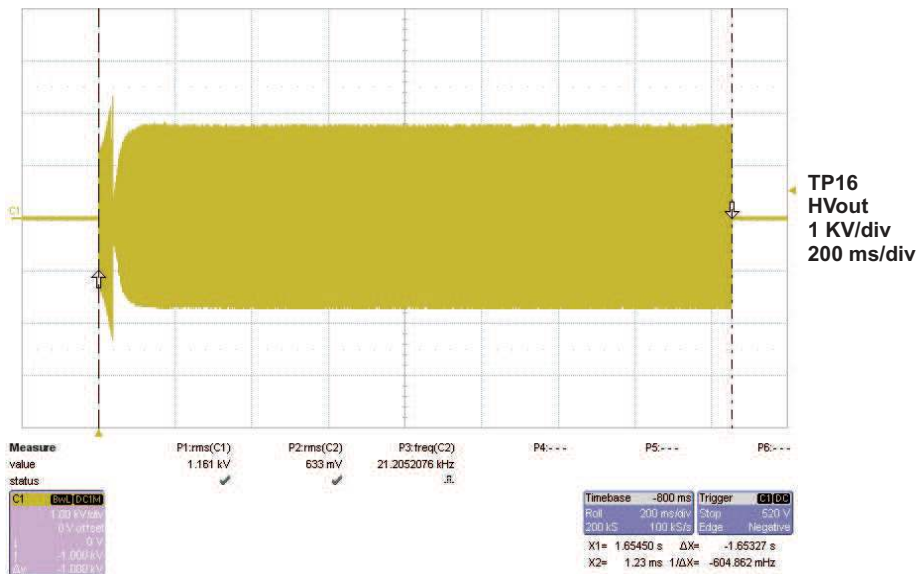


Figure 7. Open-Lamp Shutdown, Time 1.65 Seconds, Lamp 1 Voltage

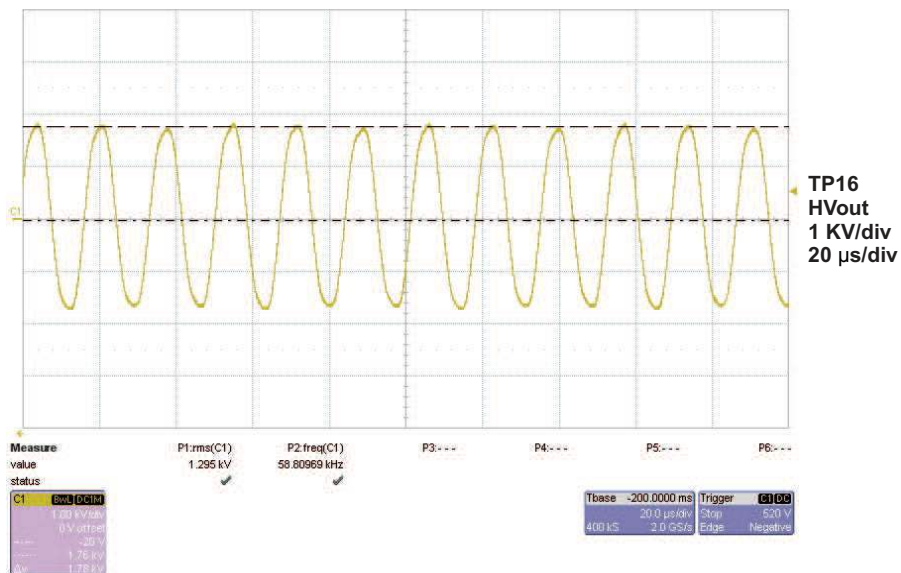


Figure 8. Open-Lamp Voltage Regulation, 1295 Vrms

3 Board Layout

This section provides the TPS68000EVM-202 board layout and illustrations.

3.1 Layout

Figure 9 through Figure 11 show the board layout for the TPS68000EVM-202 printed-circuit board.

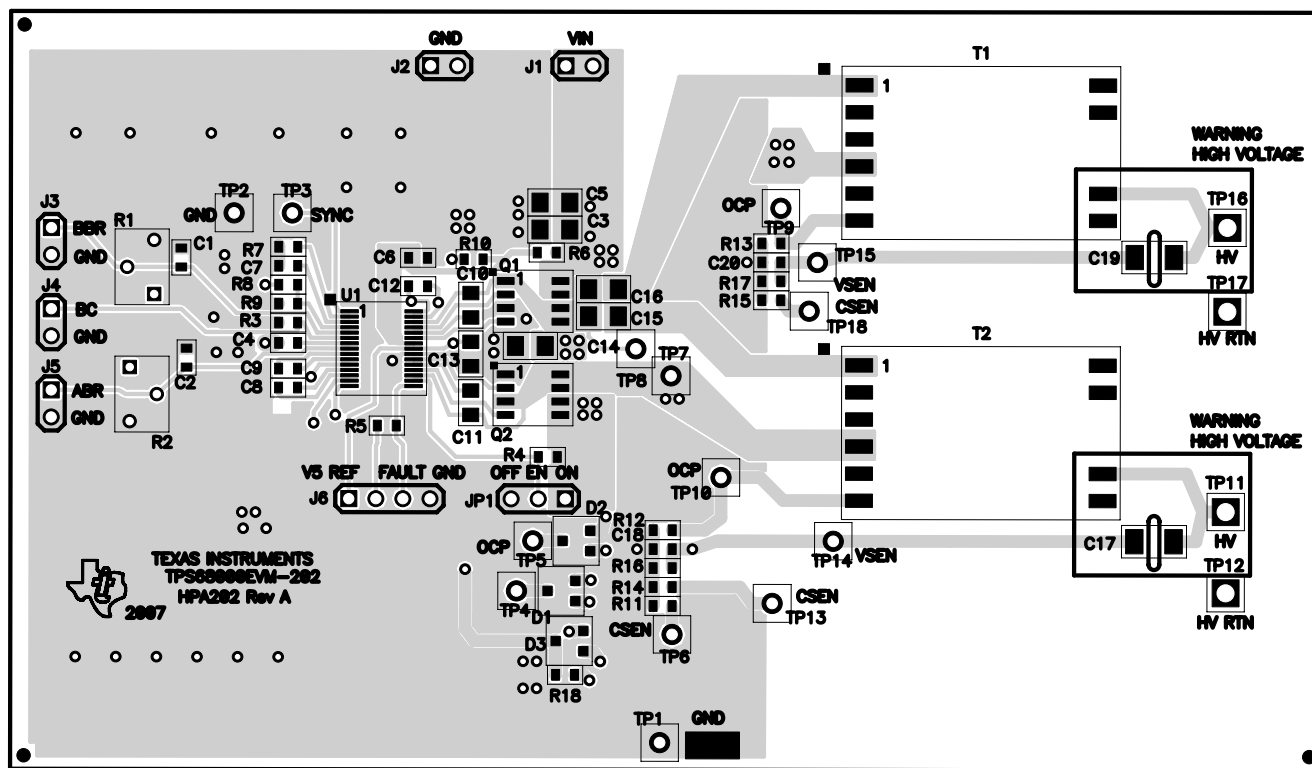


Figure 9. Assembly Layer

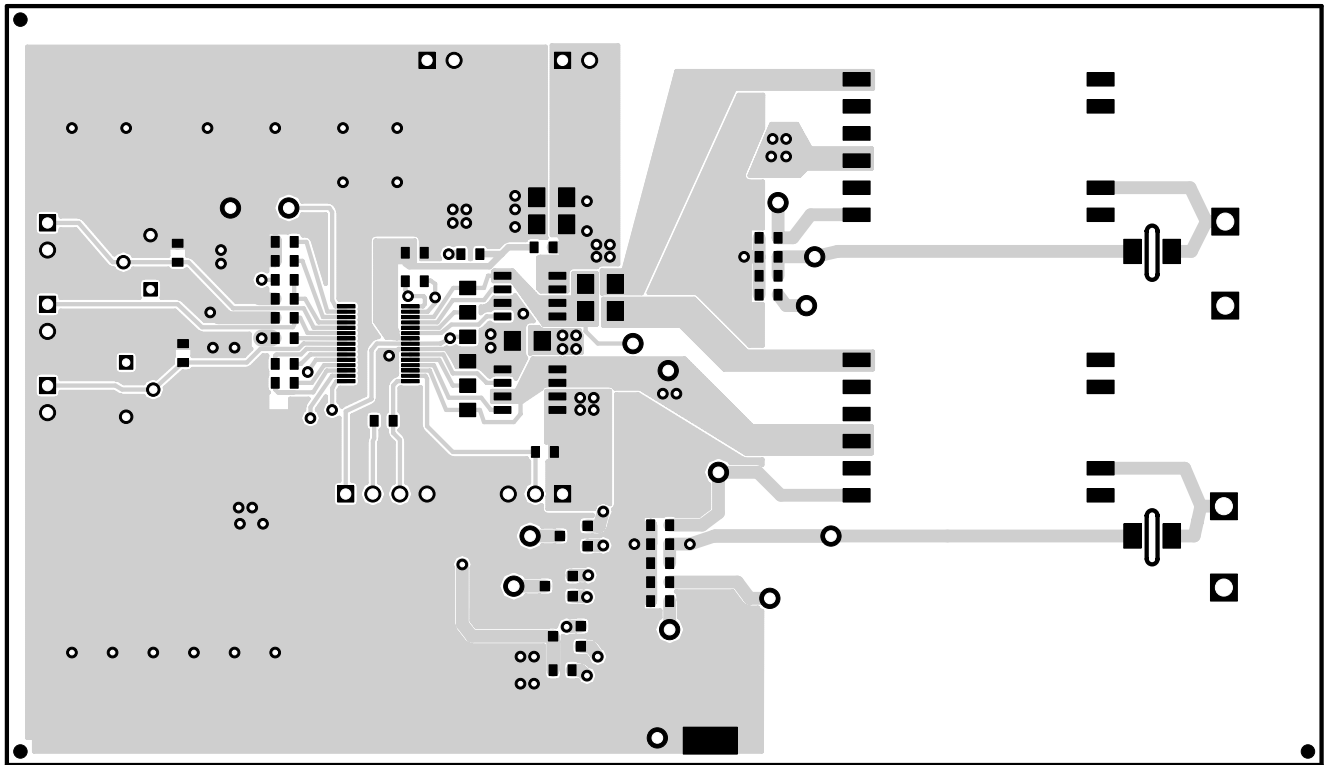


Figure 10. Top Layer Routing

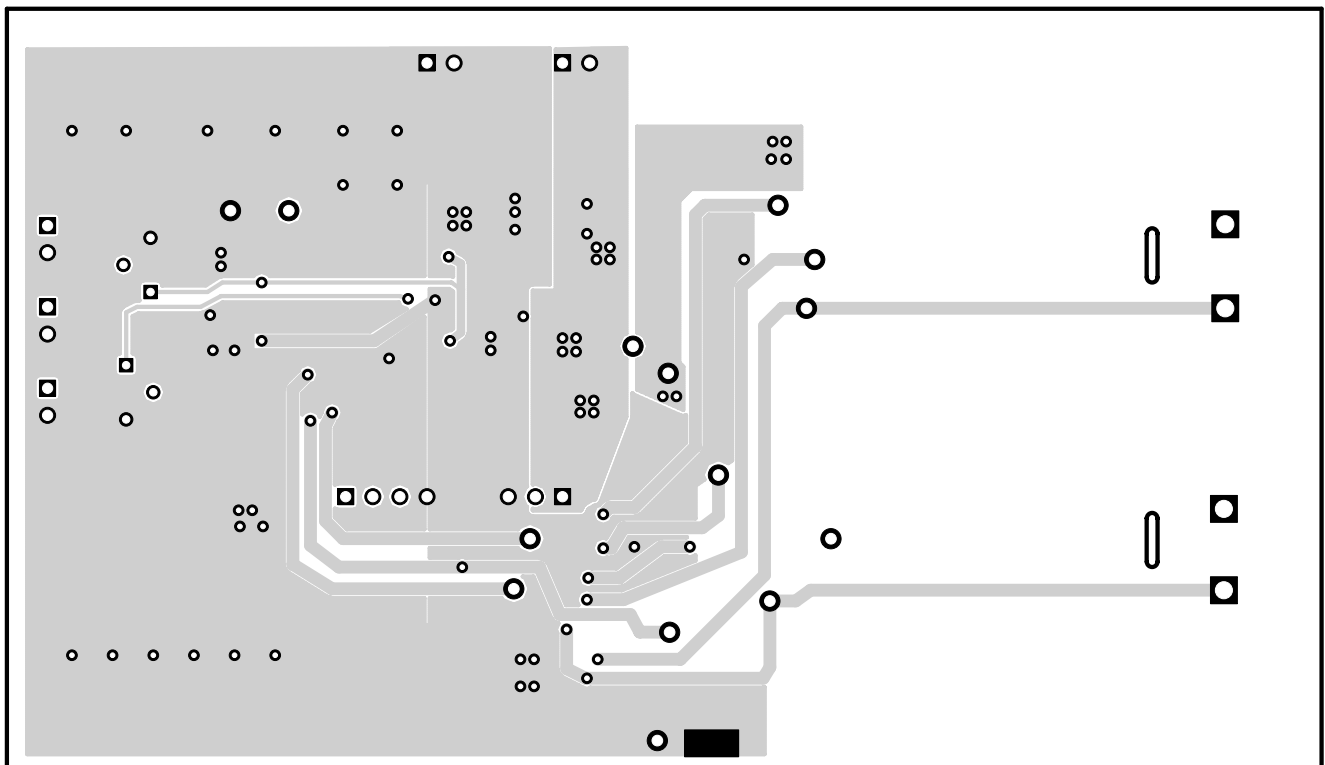


Figure 11. Bottom Layer Routing

4 Schematic and Bill of Materials

This section provides the TPS68000EVM-202 schematic and bill of materials.

4.1 Schematic

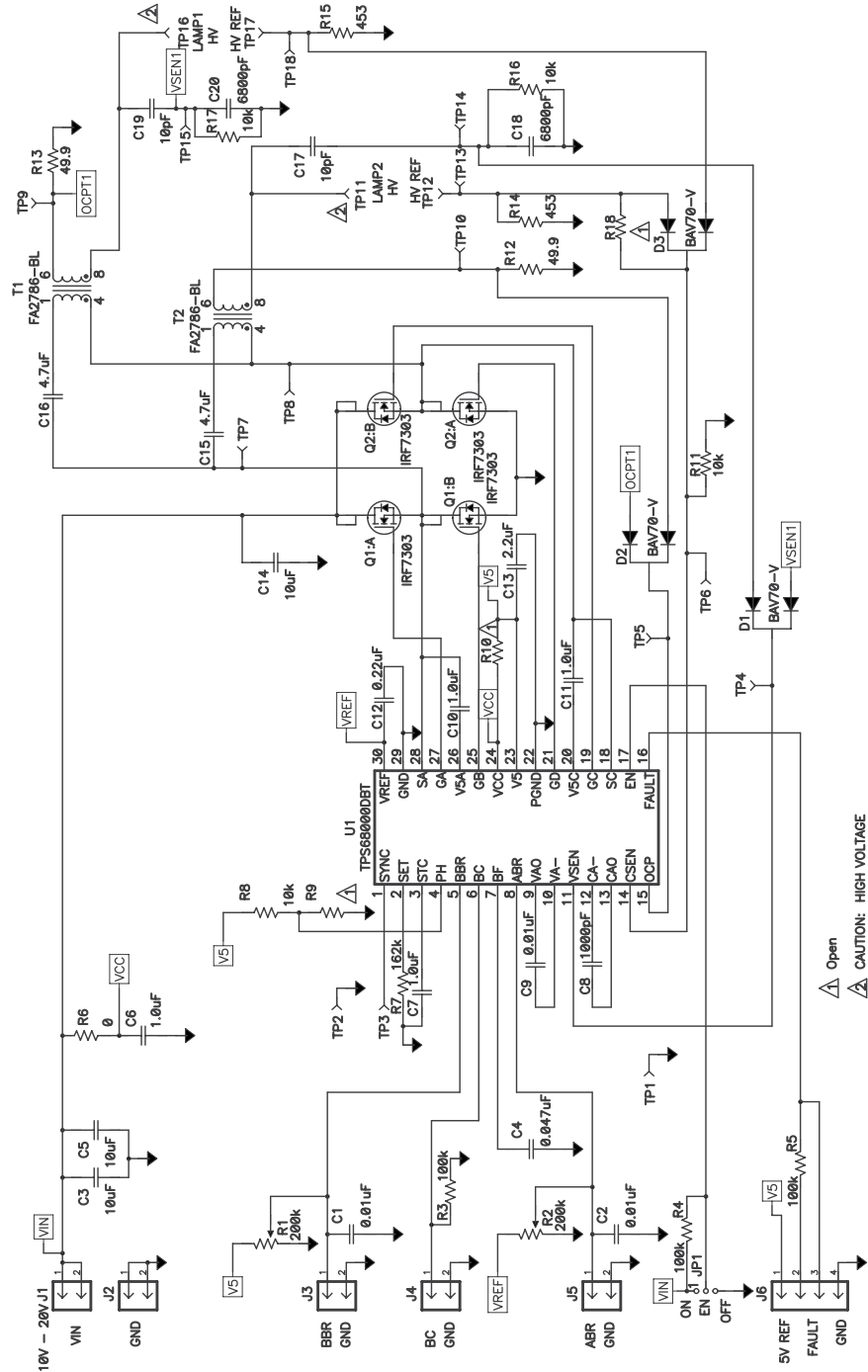


Figure 12. TPS68000EVM-202 Schematic

4.2 Bill of Materials

Table 5. TPS68000EVM-202 Bill of Materials

COUNT	RefDes	Value	Description	Size	Part Number	MFR
3	C1, C2, C9	0.01 μ F	Capacitor, Ceramic, 25V, X5R, 10%	0603	C1608X5R1E103KB	TDK
2	C10, C11	1.0 μ F	Capacitor, Ceramic, 25V, X7R, 10%	0805	C2012X7R1E105K	TDK
1	C12	0.22 μ F	Capacitor, Ceramic, 16V, X5R, 10%	0603	C1608X5R1C224KB	TDK
1	C13	2.2 μ F	Capacitor, Ceramic, 25V, X5R, 10%	0805	C2012X5R1E225K	TDK
2	C15, C16	4.7 μ F	Capacitor, Ceramic, 25V, X5R, 10%	1206	GRM319R61E475KA12D	Murata
2	C17, C19	10 pF	Capacitor, 3kV, C0G, \pm 1pF	0.110 \times 0.110	C4520C0G3F100F	TDK
2	C18, C20	6800 pF	Capacitor, Ceramic, 25V, C0G, 5%	0603	C1608C0G1E682J	TDK
3	C3, C5, C14	10 μ F	Capacitor, Ceramic, 25V, X5R, 10%	1206	C3216X5R1E106K	TDK
1	C4	0.047 μ F	Capacitor, Ceramic, 50V, X7R, 10%	0603	C1608X7R1H473KB	TDK
2	C6, C7	1.0 μ F	Capacitor, Ceramic, 25V, X5R, 10%	0603	C1608X5R1E105K	TDK
1	C8	1000 pF	Capacitor, Ceramic, 50V, X7R, 10%	0603	C1608X7R1H102K	TDK
3	D1–D3		Diode, Switching, Dual, 70V, 250mA	SOT23	BAV70-V	Zetex
5	J1–J5		Header, 2 pin, 100mil spacing, (36-pin strip)	0.100 \times 2	PTC36SAAN	Sullins
1	J6		Header, 4 pin, 100mil spacing, (36-pin strip)	0.100 \times 4	PTC36SAAN	Sullins
1	JP1		Header, 3 pin, 100mil spacing, (36-pin strip)	0.100 \times 3	PTC36SAAN	Sullins
2	Q1, Q2		MOSFET, Dual Nch, 30 V, 4.9A, 50milliohm	SO8	IRF7303	IR
2	R1, R2	200k	Potentiometer, 1/4 Cermet	12-Turn	3266W-1-204	Bourns
2	R12, R13	49.9	Resistor, Chip, 1/16W, 1%	0603	Std	Std
2	R14, R15	453	Resistor, Chip, 1/16W, 1%	0603	Std	Std
3	R3–R5	100k	Resistor, Chip, 1/16W, 1%	0603	Std	Std
1	R6	0	Resistor, Chip, 1/16W, 1%	0603	Std	Std
1	R7	162k	Resistor, Chip, 1/16W, 1%	0603	Std	Std
4	R8, R11, R16, R17	10k	Resistor, Chip, 1/16W, 1%	0603	Std	Std
0	R9, R10, R18	Open	Resistor, Chip, 1/16W, 1%	0603		
2	T1, T2		Transformer,	0.965 \times 0.610	FA2786-BL	Coilcraft
2	TP1, TP2		Test Point, Black, Thru Hole Color Keyed	0.100 \times 0.100	5001	Keystone
2	TP11, TP16		Test Point, Red, Thru Hole Compact Style	0.125 \times 0.125	5005	Keystone
2	TP12, TP17		Test Point, Black, Thru Hole Compact Style	0.125 \times 0.125	5006	Keystone
12	TP3–TP10, TP13– TP15, TP18		Test Point, Red, Thru Hole Color Keyed	0.100 \times 0.100	5000	Keystone
1	U1		IC, High Efficient Phase Shift Full Bridge CCFL Controller	TSSOP-30	TPS68000DBT	TI
1	—		PCB, 4.85 In x 2.8 In x 0.062 In		HPA202	Any
1	—		Shunt, 100mil, Black	0.100	929950-00	3M

EVALUATION BOARD/KIT IMPORTANT NOTICE

Texas Instruments (TI) provides the enclosed product(s) under the following conditions:

This evaluation board/kit is intended for use for **ENGINEERING DEVELOPMENT, DEMONSTRATION, OR EVALUATION PURPOSES ONLY** and is not considered by TI to be a finished end-product fit for general consumer use. Persons handling the product(s) must have electronics training and observe good engineering practice standards. As such, the goods being provided are not intended to be complete in terms of required design-, marketing-, and/or manufacturing-related protective considerations, including product safety and environmental measures typically found in end products that incorporate such semiconductor components or circuit boards. This evaluation board/kit does not fall within the scope of the European Union directives regarding electromagnetic compatibility, restricted substances (RoHS), recycling (WEEE), FCC, CE or UL, and therefore may not meet the technical requirements of these directives or other related directives.

Should this evaluation board/kit not meet the specifications indicated in the User's Guide, the board/kit may be returned within 30 days from the date of delivery for a full refund. **THE FOREGOING WARRANTY IS THE EXCLUSIVE WARRANTY MADE BY SELLER TO BUYER AND IS IN LIEU OF ALL OTHER WARRANTIES, EXPRESSED, IMPLIED, OR STATUTORY, INCLUDING ANY WARRANTY OF MERCHANTABILITY OR FITNESS FOR ANY PARTICULAR PURPOSE.**

The user assumes all responsibility and liability for proper and safe handling of the goods. Further, the user indemnifies TI from all claims arising from the handling or use of the goods. Due to the open construction of the product, it is the user's responsibility to take any and all appropriate precautions with regard to electrostatic discharge.

EXCEPT TO THE EXTENT OF THE INDEMNITY SET FORTH ABOVE, NEITHER PARTY SHALL BE LIABLE TO THE OTHER FOR ANY INDIRECT, SPECIAL, INCIDENTAL, OR CONSEQUENTIAL DAMAGES.

TI currently deals with a variety of customers for products, and therefore our arrangement with the user **is not exclusive.**

TI assumes **no liability for applications assistance, customer product design, software performance, or infringement of patents or services described herein.**

Please read the User's Guide and, specifically, the Warnings and Restrictions notice in the User's Guide prior to handling the product. This notice contains important safety information about temperatures and voltages. For additional information on TI's environmental and/or safety programs, please contact the TI application engineer or visit www.ti.com/esh.

No license is granted under any patent right or other intellectual property right of TI covering or relating to any machine, process, or combination in which such TI products or services might be or are used.

FCC Warning

This evaluation board/kit is intended for use for **ENGINEERING DEVELOPMENT, DEMONSTRATION, OR EVALUATION PURPOSES ONLY** and is not considered by TI to be a finished end-product fit for general consumer use. It generates, uses, and can radiate radio frequency energy and has not been tested for compliance with the limits of computing devices pursuant to part 15 of FCC rules, which are designed to provide reasonable protection against radio frequency interference. Operation of this equipment in other environments may cause interference with radio communications, in which case the user at his own expense will be required to take whatever measures may be required to correct this interference.

EVM WARNINGS AND RESTRICTIONS

It is important to operate this EVM within the input voltage range of 10 V to 20 V and the output voltage range of 300 VAC to 1300 VAC.

Exceeding the specified input range may cause unexpected operation and/or irreversible damage to the EVM. If there are questions concerning the input range, please contact a TI field representative prior to connecting the input power.

Applying loads outside of the specified output range may result in unintended operation and/or possible permanent damage to the EVM. Please consult the EVM User's Guide prior to connecting any load to the EVM output. If there is uncertainty as to the load specification, please contact a TI field representative.

During normal operation, some circuit components may have case temperatures greater than 60°C. The EVM is designed to operate properly with certain components above 60°C as long as the input and output ranges are maintained. These components include but are not limited to linear regulators, switching transistors, pass transistors, and current sense resistors. These types of devices can be identified using the EVM schematic located in the EVM User's Guide. When placing measurement probes near these devices during operation, please be aware that these devices may be very warm to the touch.

Mailing Address: Texas Instruments, Post Office Box 655303, Dallas, Texas 75265
Copyright © 2007, Texas Instruments Incorporated

IMPORTANT NOTICE

Texas Instruments Incorporated and its subsidiaries (TI) reserve the right to make corrections, modifications, enhancements, improvements, and other changes to its products and services at any time and to discontinue any product or service without notice. Customers should obtain the latest relevant information before placing orders and should verify that such information is current and complete. All products are sold subject to TI's terms and conditions of sale supplied at the time of order acknowledgment.

TI warrants performance of its hardware products to the specifications applicable at the time of sale in accordance with TI's standard warranty. Testing and other quality control techniques are used to the extent TI deems necessary to support this warranty. Except where mandated by government requirements, testing of all parameters of each product is not necessarily performed.

TI assumes no liability for applications assistance or customer product design. Customers are responsible for their products and applications using TI components. To minimize the risks associated with customer products and applications, customers should provide adequate design and operating safeguards.

TI does not warrant or represent that any license, either express or implied, is granted under any TI patent right, copyright, mask work right, or other TI intellectual property right relating to any combination, machine, or process in which TI products or services are used. Information published by TI regarding third-party products or services does not constitute a license from TI to use such products or services or a warranty or endorsement thereof. Use of such information may require a license from a third party under the patents or other intellectual property of the third party, or a license from TI under the patents or other intellectual property of TI.

Reproduction of information in TI data books or data sheets is permissible only if reproduction is without alteration and is accompanied by all associated warranties, conditions, limitations, and notices. Reproduction of this information with alteration is an unfair and deceptive business practice. TI is not responsible or liable for such altered documentation.

Resale of TI products or services with statements different from or beyond the parameters stated by TI for that product or service voids all express and any implied warranties for the associated TI product or service and is an unfair and deceptive business practice. TI is not responsible or liable for any such statements.

TI products are not authorized for use in safety-critical applications (such as life support) where a failure of the TI product would reasonably be expected to cause severe personal injury or death, unless officers of the parties have executed an agreement specifically governing such use. Buyers represent that they have all necessary expertise in the safety and regulatory ramifications of their applications, and acknowledge and agree that they are solely responsible for all legal, regulatory and safety-related requirements concerning their products and any use of TI products in such safety-critical applications, notwithstanding any applications-related information or support that may be provided by TI. Further, Buyers must fully indemnify TI and its representatives against any damages arising out of the use of TI products in such safety-critical applications.

TI products are neither designed nor intended for use in military/aerospace applications or environments unless the TI products are specifically designated by TI as military-grade or "enhanced plastic." Only products designated by TI as military-grade meet military specifications. Buyers acknowledge and agree that any such use of TI products which TI has not designated as military-grade is solely at the Buyer's risk, and that they are solely responsible for compliance with all legal and regulatory requirements in connection with such use.

TI products are neither designed nor intended for use in automotive applications or environments unless the specific TI products are designated by TI as compliant with ISO/TS 16949 requirements. Buyers acknowledge and agree that, if they use any non-designated products in automotive applications, TI will not be responsible for any failure to meet such requirements.

Following are URLs where you can obtain information on other Texas Instruments products and application solutions:

Products		Applications	
Amplifiers	amplifier.ti.com	Audio	www.ti.com/audio
Data Converters	dataconverter.ti.com	Automotive	www.ti.com/automotive
DSP	dsp.ti.com	Broadband	www.ti.com/broadband
Interface	interface.ti.com	Digital Control	www.ti.com/digitalcontrol
Logic	logic.ti.com	Military	www.ti.com/military
Power Mgmt	power.ti.com	Optical Networking	www.ti.com/opticalnetwork
Microcontrollers	microcontroller.ti.com	Security	www.ti.com/security
RFID	www.ti-rfid.com	Telephony	www.ti.com/telephony
Low Power Wireless	www.ti.com/lpw	Video & Imaging	www.ti.com/video
		Wireless	www.ti.com/wireless

Mailing Address: Texas Instruments, Post Office Box 655303, Dallas, Texas 75265
Copyright © 2007, Texas Instruments Incorporated