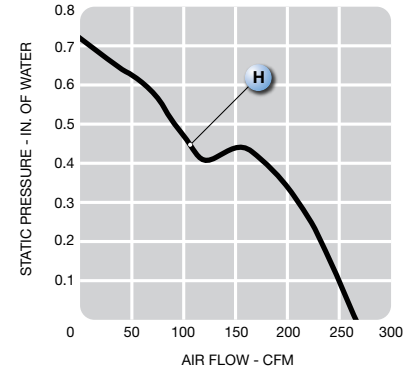
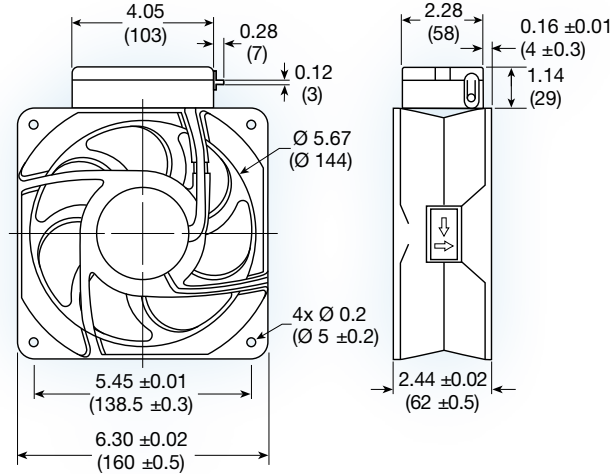


UF16FC series



(160 x 160 x 62 mm)
6.30 x 6.30 x 2.44 inches

Operating voltage: 115 or 230 VAC

Construction: aluminum die cast frame;
UL94V-0 PBT impeller

Bearing option: ball bearing

Motor: permanent split capacitor

Air Flow: exhaust over struts

Connection: terminal

Protection: thermal

Model No.	Rated Voltage V	Freq. HZ	Input Power W	Rated Cur. A	Locked Cur. A	Speed RPM	Air Volume		Max. Static Pressure (H ₂ O)		Sound Noise dbA	Weight kg
							M ³ /Min.	CFM	MM	INCH		
UF16FC12-__H	115	60	41	0.34	0.79	3,400	7.5	265	18.2	0.72	56	1.33
UF16FC23-__H	230	60	41	0.17	0.41	3,400	7.5	265	18.2	0.72	56	1.33

