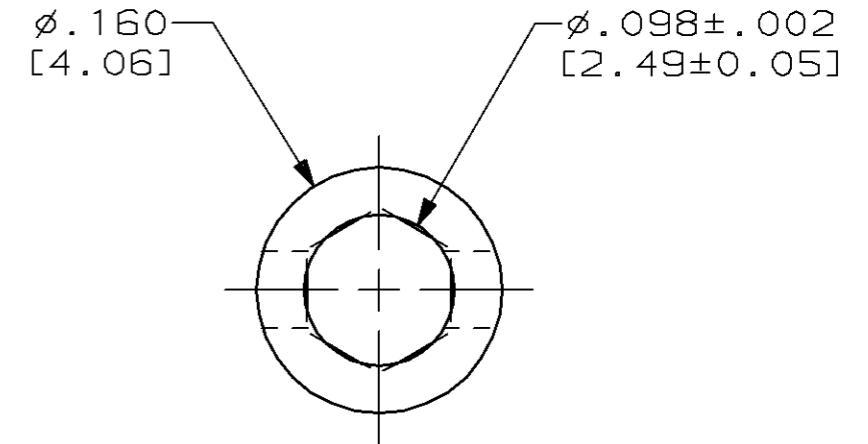
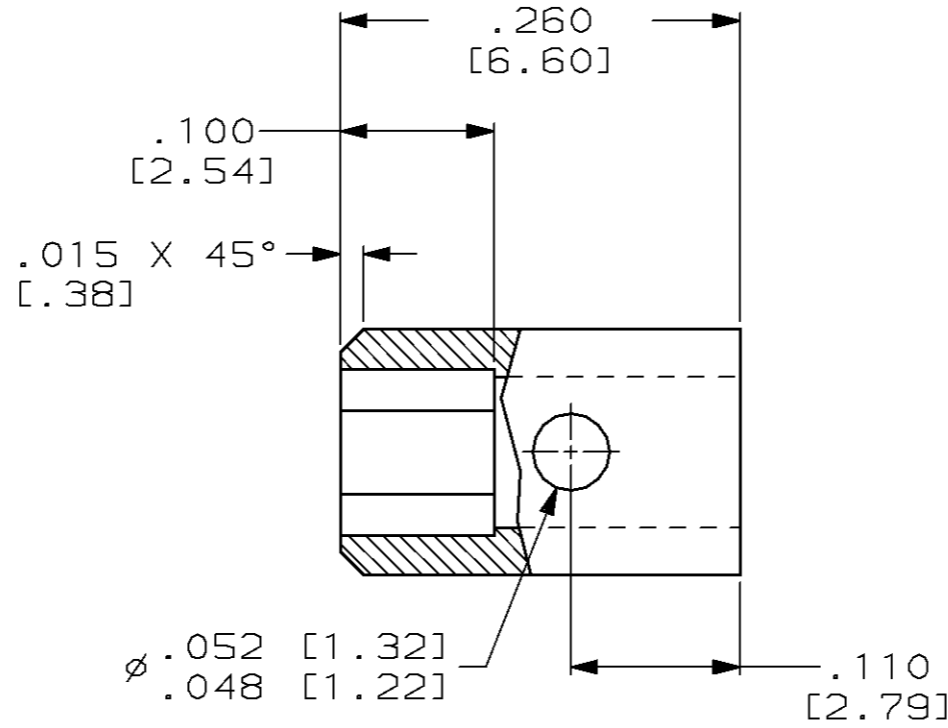
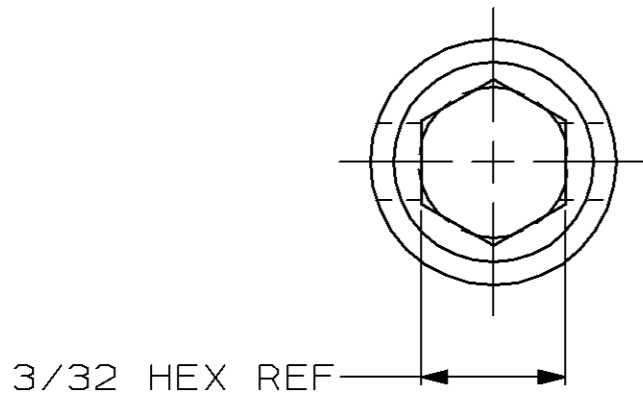


THIS DRAWING IS UNPUBLISHED. RELEASED FOR PUBLICATION, 19 .
 © COPYRIGHT 19 BY AMP INCORPORATED. ALL RIGHTS RESERVED.

LOC		DIST		REVISIONS			
P	LTR	DESCRIPTION		DATE	DWN	APVD	
	0	REL PER 0600-5012-95		12-12-95	TA	DG	



① STAINLESS STEEL PER ASTM-A-582
 ② PASSIVATED PER QQ-P-35

443378-1
 PART NUMBER

<small>THIS DRAWING IS A CONTROLLED DOCUMENT FOR AMP INCORPORATED. IT IS SUBJECT TO CHANGE AND THE CONTROLLING ENGINEERING ORGANIZATION SHOULD BE CONTACTED FOR THE LATEST REVISION.</small>		DWN T. ALEXANDER 12-11-95 CHK D. GUTTER 12-12-95 APVD D. GUTTER 12-12-95 PRODUCT SPEC APPLICATION SPEC WEIGHT - CUSTOMER DRAWING	AMP AMP Incorporated Harrisburg, PA 17105-3608 NAME MINI-BOX, JACKSCREW, MALE, FIXED SIZE A3 CAGE CODE 00779 DRAWING NO. ©-443378 SCALE 8:1 SHEET 1 OF 1 REV 0
DIMENSIONS, INCHES [mm]	TOLERANCES UNLESS OTHERWISE SPECIFIED: 0 PLC ±- 1 PLC ±- 2 PLC ±- 3 PLC ±.005 [0.13] 4 PLC ±- ANGLES ±- FINISH		
MATERIAL ①	FINISH ②		