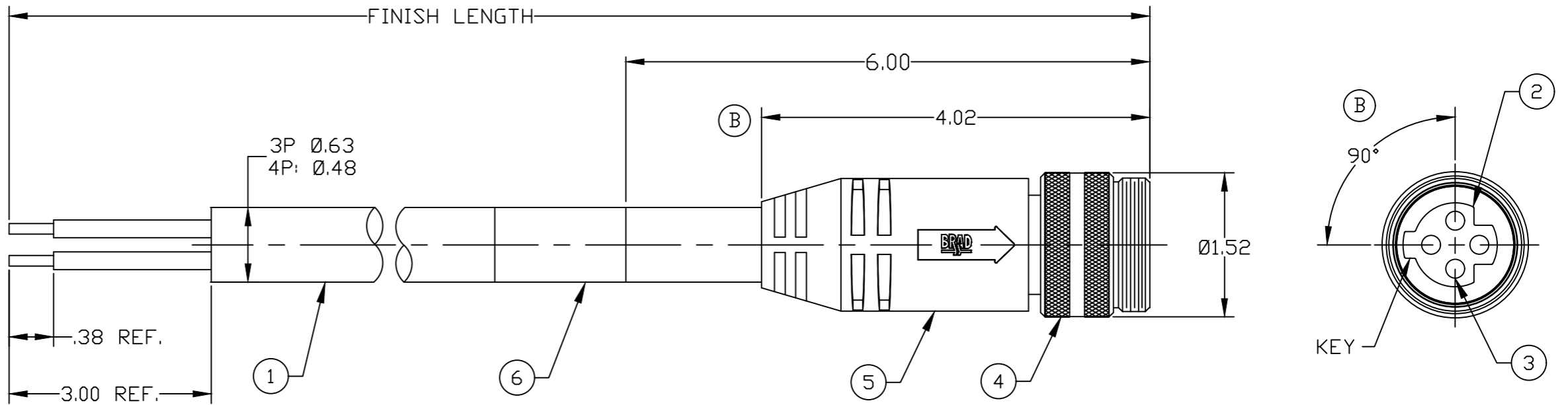


MATERIAL NO.	ENG. NO.	FINISHED LENGTH	POLES	CABLE DIA
1300630058	C03106A47M010	1M (3'3")	3	.63
1300630247	C04106A47M050	5M (16'5")	4	.48
1300630266	C04106A47M090	9M (29'6")	4	.48

CABLE LENGTH TOLERANCES

>.3M [1FT]:	+19mm-0 [+1.75in-0]
.3 - .9M [1 - 3FT]:	+44.5mm-0 [+1.75in-0]
.9 - 1.8M [3 - 6FT]:	+55.6mm-0 [+2.19in-0]
1.8 - 3.7M [6 - 12FT]:	+88.9mm-0 [+3.50in-0]
3.7 - 7.3M [12 - 24FT]:	+165.1mm-0 [+6.50in-0]
7.3-14.6M [24 - 48FT]:	+317.5mm-0 [+12.50in-0]
14.6 - 30.5M [48-100FT]:	+622.3mm-0 [+24.50in-0]
OVER 30M [100FT]	+2% OF FINISHED LENGTH



- NOTES:
- MATERIAL: AS NOTED
 - FINISH: AS NOTED
 - ELECTRICAL:
VOLTAGE: 3P: 630V PER IEC60664
4P: 500V PER IEC60664
600V PER UL2238
CURRENT: 3P 25A
4P 20A
 - TEMP RATING: -20°TO +90°C
 - PROTECTION: IP67 (WHEN MATED)
 - COUPLING THREAD: 1 3/8-16 UN
 - UL LISTED FILE: E152210
 - ALL DIMS ARE FOR REFERENCE UNLESS NOTED OTHERWISE

PART NUMBER LEGEND

C04106A47M050

POLE COUNT →

CABLE TYPE →
12AWG TC/STOOD

FINISHED LENGTH:
M005= 0.5 METER
M010= 1 METER
M100= 10 METER

ITEM	DESCRIPTION	MATERIAL	FINISH
6	WRAP LABEL	VINYL	BLACK/YELLOW
5	OVERMOLD	TPE	BLACK
4	COUPLING NUT	ALUMINUM	BLACK ANODIZE
3	CONTACT PIN	COPPER ALLOY	GOLD PLATED
2	INSERT	TPE	BLACK
1	CABLE, 12AWG TC/STOOD	PVC JACKET	GRAY

FUNCTIONAL SYMBOLS FA=0 FC=0 FD=0	THIS DRAWING CONTAINS INFORMATION THAT IS PROPRIETARY TO MOLEX ELECTRONIC TECHNOLOGIES, LLC AND SHOULD NOT BE USED WITHOUT WRITTEN PERMISSION		CURRENT REV DESC: UPDATE O-MOLD PER STD-391, ADD 90 FOR KEY ANGLE O-MOLD, UPDATE BORDER, ADD BOM TABLE			
	DIMENSION UNITS	SCALE				
	INCH	1:1	MALE, STR, ALT KEY, 12AWG PVC CABLE			
	GENERAL TOLERANCES (UNLESS SPECIFIED)		PRODUCT CUSTOMER DRAWING			
mm INCH		DOCUMENT NUMBER				
4 PLACES ±----	±----	SD-130063-100				
3 PLACES ±----	±----	DOC TYPE/DOC PART/REVISION				
2 PLACES ±----	±----	PSD 001 B				
1 PLACE ±----	±----	MATERIAL NUMBER				
0 PLACES ±----	±----	CUSTOMER				
ANGULAR TOL ± ---- °		SEE P/N LEGEND				
DRAFT WHERE APPLICABLE MUST REMAIN WITHIN DIMENSIONS		THIRD ANGLE PROJECTION	DRAWING			
		B-SIZE	SHEET NUMBER			
		130063	1 OF 1			