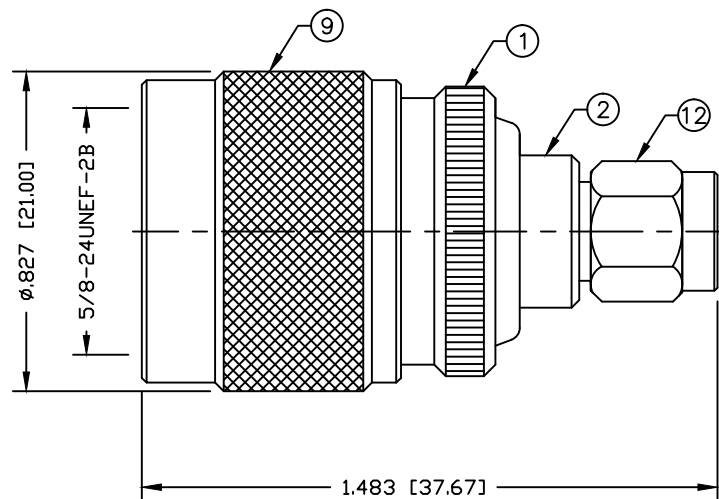


PART NO.

**RP-3453**

REV	DESCRIPTION	DWN	DATE	APPROVED
A	UPDATED TB FORMAT	CZS	02/17/17	JDMc

**SPECIFICATIONS:**

IMPEDANCE: 50 Ohms

FREQUENCY RANGE: 0–11 GHz

WORKING VOLTAGE: 375 V rms @ sea level

TEMPERATURE RANGE: –65°C TO 85°C

INSULATION RESISTANCE: 5k M Ohms min.

12	SHELL	1	BRASS	NICKEL, 100 $\mu$ "
11	RETAINING RING	1	Be. Cu.	NICKEL, 100 $\mu$ "
10	GASKET	1	SILICONE	---
9	SHELL	1	BRASS	NICKEL, 100 $\mu$ "
8	RETAINING RING	1	SUS 304	NICKEL, 100 $\mu$ "
7	GASKET	1	SILICONE	---
6	GROUND RING	1	BRASS	NICKEL, 100 $\mu$ "
5	CONTACT	1	Be.Cu.	GOLD, 3 $\mu$ "
4	INSULATOR	1	PTFE	---
3	INSULATOR	1	PTFE	---
2	BODY	1	BRASS	NICKEL, 100 $\mu$ "
1	BODY	1	BRASS	NICKEL, 100 $\mu$ "

CUSTOMER  
OUTLINE DRAWINGALL DIMENSIONS  
ARE REFERENCE ONLYUNLESS OTHERWISE SPECIFIED:  
DIMENSIONS ARE IN INCHES  
AND [MILLIMETERS]DRAWN  
C. ZUNIGA 02/17/17

CHECKED

ORJ DRAWN  
C. ZUNIGA 06/06/03**RoHS  
COMPLIANT**

PROPRIETARY AND CONFIDENTIAL  
THIS DRAWING CONTAINS  
INFORMATION PROPRIETARY TO  
RF INDUSTRIES. ANY  
UNAUTHORIZED USE OF THIS  
DRAWING IS EXPRESSLY  
PROHIBITED WITHOUT WRITTEN  
PERMISSION FROM RF  
INDUSTRIES. ANY VIOLATION IS  
PUNISHABLE UNDER U.S.  
COPYRIGHT LAWS.

**RFconnectors**  
DIVISION OF RF INDUSTRIES, LTD. (858) 549-6345 FAX  
7610 MIRAMAR RD.  
SAN DIEGO, CA 92126  
(858) 549-6340

**SMA PLUG REVERSE POLARITY  
TO N PLUG ADAPTER**

SIZE	CABLE GROUP	DWG NO.	REV
A	N/A	<b>RP-3453</b>	A
SCALE:	ENGINEERING ID:	SHEET 1 OF 1	
NTS	008974		