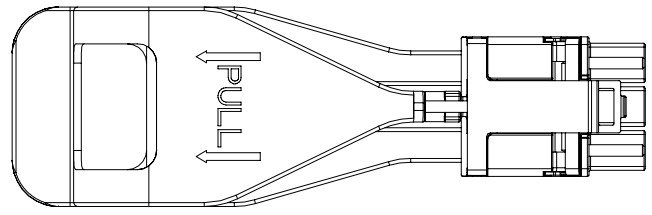
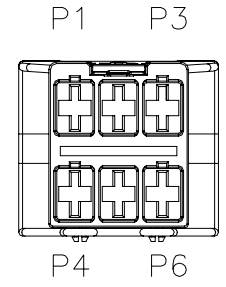
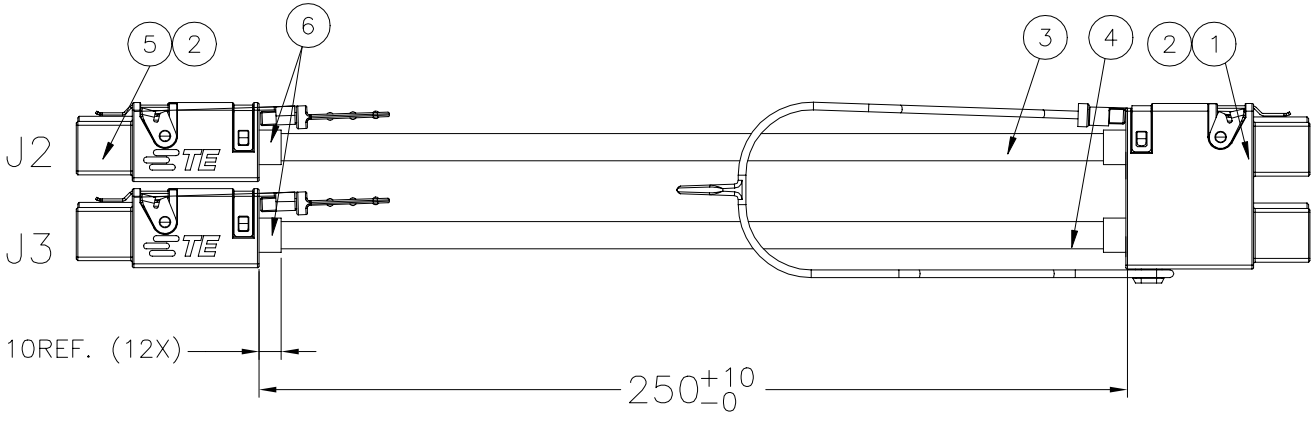
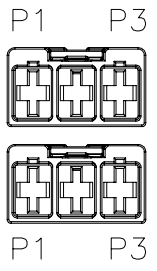


REVISIONS				
P	UR	DESCRIPTION	DATE	BY
A		REVISED PER ECR-21-119906	05NOV2021	SB



NOTES:

- 100% ELECTRICAL TEST FOR CONTINUITY, OPENS AND SHORTS.
- ROHS COMPLIANCE: PRODUCT AND PROCESSING MEETS REQUIREMENTS OF TE SPECIFICATION TEC-138-702.

WIRING CHART		
FROM	TO	COLOR
J1-P1	J2-P3	RED
J1-P2	J2-P2	RED
J1-P3	J2-P1	RED
J1-P4	J3-P3	BLACK
J1-P5	J3-P2	BLACK
J1-P6	J3-P1	BLACK

2370765-1
TE P/N

QTY	U/M	DESCRIPTION	ITEM
0.12	MR	H.S.T ID:5.0MM COLOR:BLACK	6
2	PC	HOUSING 1X3 ELCON MINI TE	5
0.8	MR	UL WIRE 10AWG BLACK HIGH FLEX, PVC	4
0.8	MR	UL WIRE 10AWG RED HIGH FLEX, PVC	3
12	PC	CONTACT ELCON MINI, GOLD PLATING	2
1	PC	ELCON MINI 3P CABLE CONN,PULL-TAB	1

THIS DRAWING IS A CONTROLLED DOCUMENT. **TE** TE Connectivity Ltd.

DESIGNER: JCLIN YAO	DATE: 05NOV2021	NAME: WILLIAM YAO	SCALE: N.T.S.
CHECKER: JCLIN YAO	DATE: 05NOV2021	PRODUCT SPEC: Cable Assy, 2X3 ELCON MINI TO 3P ELCON MINI	RESTRICTED TO: -
APPROVER: JCLIN YAO	DATE: 05NOV2021	APPLICATION SPEC: -	SIZE: A1
DRAWING NO: 100779	DATE CODE: 2370765	WEIGHT: 0	SHEET: 1 OF 1
MATERIAL: -	FINISH: -	CUSTOMER DRAWING	REV: A