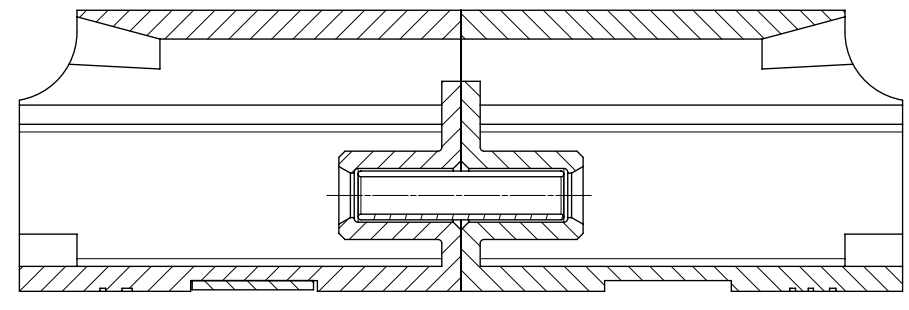
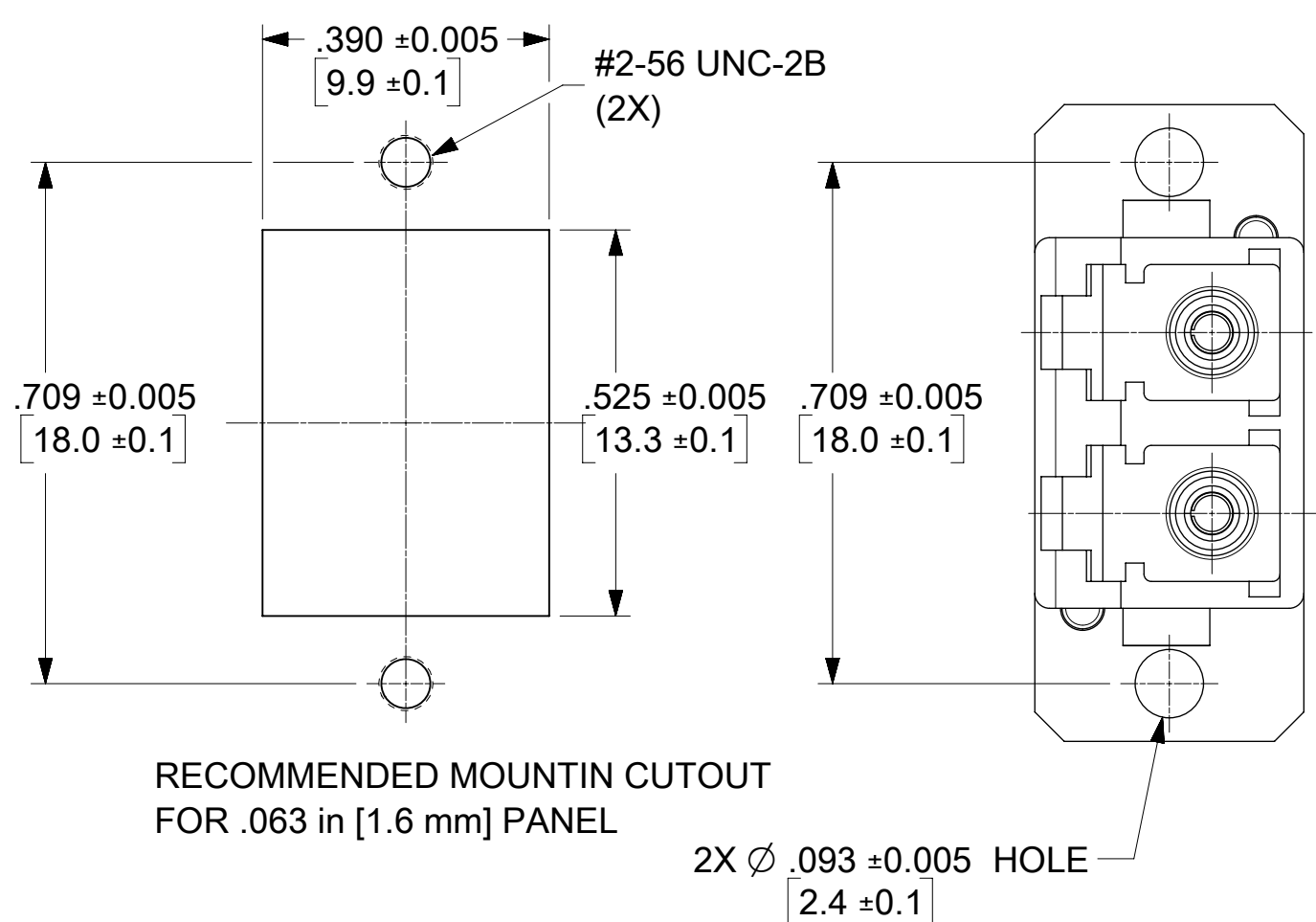
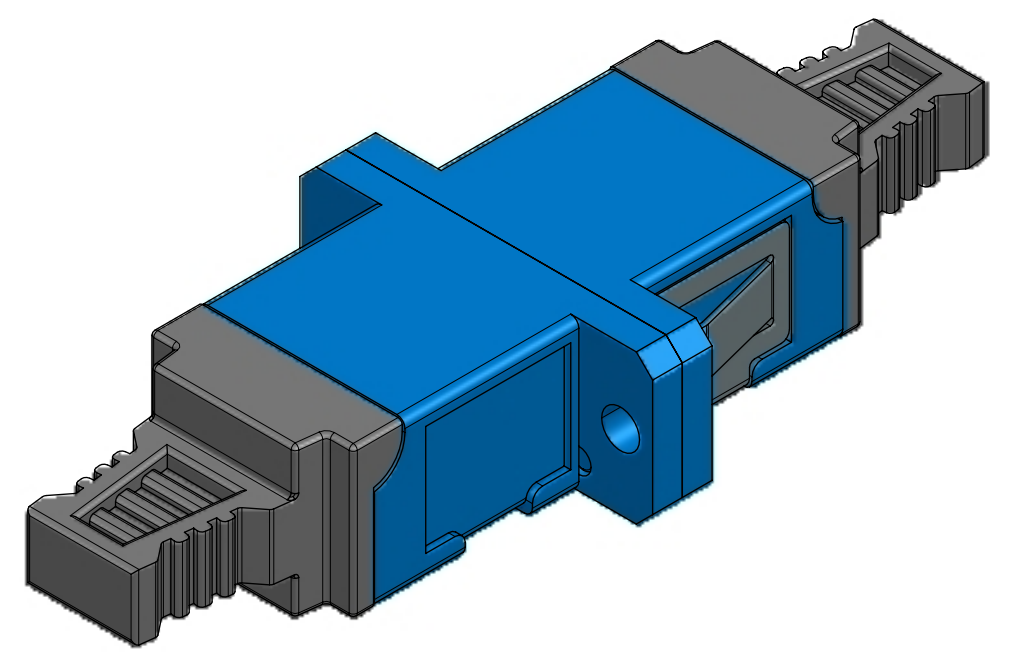
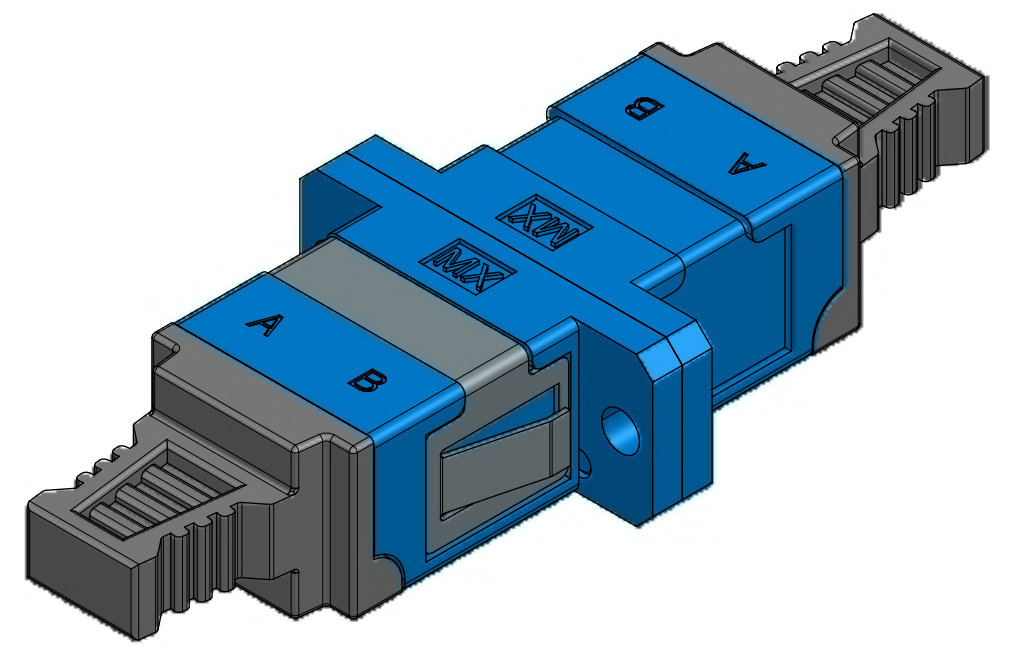


| LC ADAPTER P/N             | ADAPTER COLOR | LC SLEEVE MATERIAL |
|----------------------------|---------------|--------------------|
| 1061261300                 | BLUE          | ZR                 |
| 1061261310<br>(see note 3) |               |                    |
| 1061260310                 | BEIGE         |                    |
| 1061260320<br>(see note 3) |               |                    |
| 1061261350                 | GREEN         |                    |
| 1061261320<br>(see note 3) |               |                    |
| 1061261330                 | BEIGE         |                    |
| 1061261340                 | BLACK         |                    |

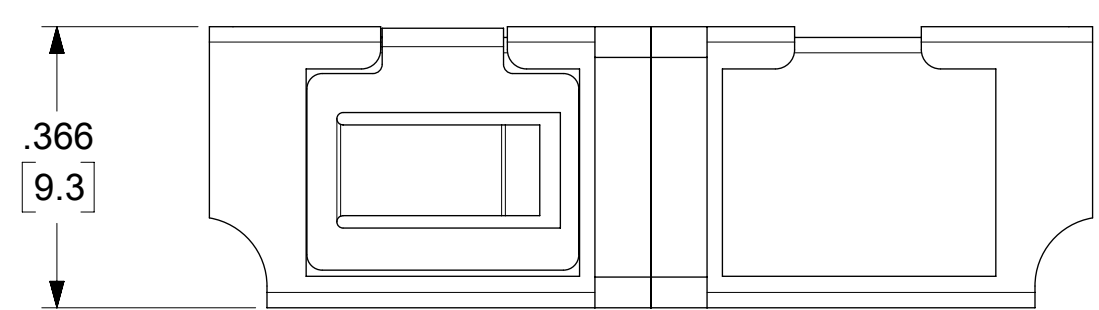
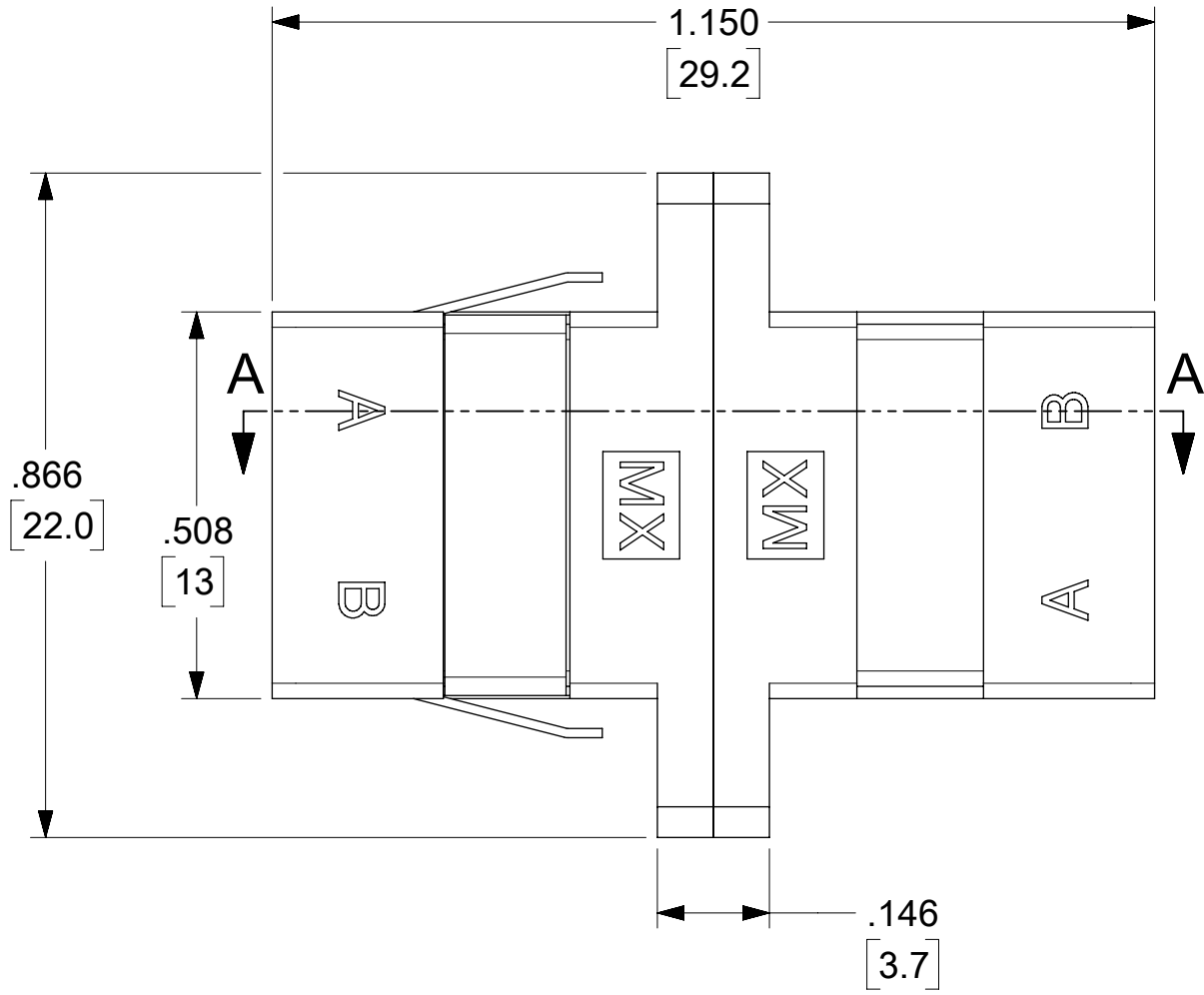


SECTION A-A



RECOMMENDED MOUNTIN CUTOUT FOR .063 in [1.6 mm] PANEL

2X Ø .093 ±0.005 HOLE [2.4 ±0.1]



- NOTES:
1. ALL DIMENSIONS WITHOUT TOLERANCE ARE FOR REFERENCE ONLY.
  2. DUST CAPS ARE SHOWN IN ISOMETRIC VIEWS ONLY.
  3. P/NS 1061260320 & 1061261310 ARE BULK PACKED IN QUANTITIES OF 100 pcs.  
P/N 1061261320 IS BULK PACKED IN QUANTITY OF 25pcs.

|                                       |  |                                                                                                                                               |  |                                                      |  |                                                   |  |
|---------------------------------------|--|-----------------------------------------------------------------------------------------------------------------------------------------------|--|------------------------------------------------------|--|---------------------------------------------------|--|
| FUNCTIONAL SYMBOLS                    |  | THIS DRAWING CONTAINS INFORMATION THAT IS PROPRIETARY TO MOLEX ELECTRONIC TECHNOLOGIES, LLC AND SHOULD NOT BE USED WITHOUT WRITTEN PERMISSION |  | CURRENT REV DESC:                                    |  | <b>molex</b>                                      |  |
| DIMENSION UNITS                       |  | SCALE                                                                                                                                         |  | EC NO: 652962                                        |  |                                                   |  |
| INCH/MM                               |  | 4:1                                                                                                                                           |  | DRWN: SKRISHNAMU01                                   |  | LC DUPLEX ADAPTER (STANDARD FLANGE/ SC FOOTPRINT) |  |
| GENERAL TOLERANCES (UNLESS SPECIFIED) |  | ANGULAR TOL ± °                                                                                                                               |  | CHK'D: WCHEN                                         |  | PRODUCT CUSTOMER DRAWING                          |  |
| 4 PLACES ±                            |  | 0                                                                                                                                             |  | APPR: WCHEN                                          |  | DOCUMENT NUMBER                                   |  |
| 3 PLACES ± 0.005                      |  | 0                                                                                                                                             |  | INITIAL REVISION:                                    |  | DOC TYPE   DOC PART   REVISION                    |  |
| 2 PLACES ±                            |  | 0                                                                                                                                             |  | DRWN: PGIBLIN                                        |  | SD-106126-X3X0                                    |  |
| 1 PLACE ±                             |  | 0                                                                                                                                             |  | APPR: IGUMIN                                         |  | PSD 001 B                                         |  |
| 0 PLACES ±                            |  | 0                                                                                                                                             |  | DRAFT WHERE APPLICABLE MUST REMAIN WITHIN DIMENSIONS |  | MATERIAL NUMBER   CUSTOMER   SHEET NUMBER         |  |
| THIRD ANGLE PROJECTION                |  | DRAWING                                                                                                                                       |  | SERIES                                               |  | SEE TABLE     1 OF 1                              |  |
| C-SIZE                                |  | 106126                                                                                                                                        |  |                                                      |  |                                                   |  |