

4

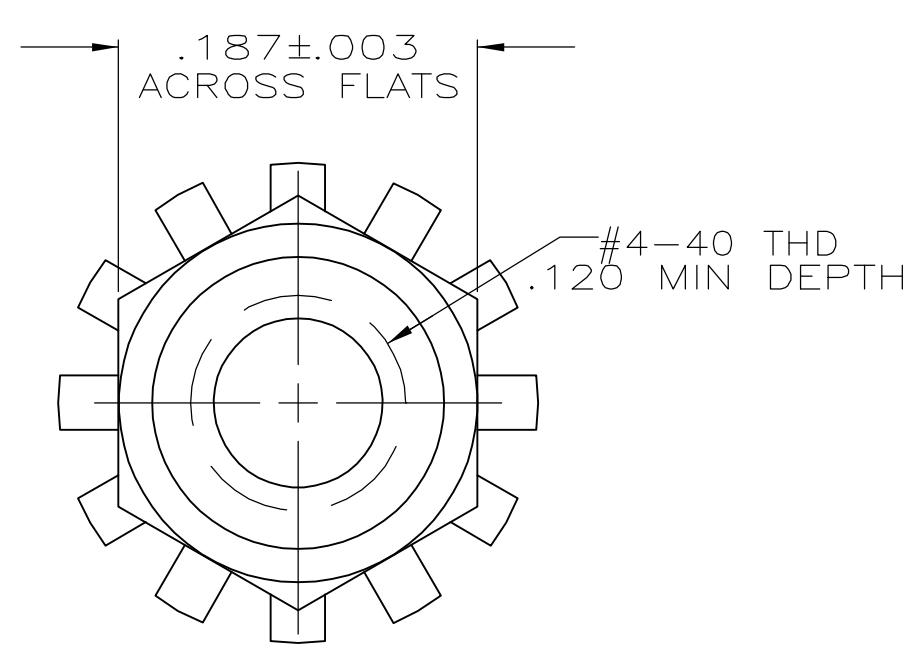
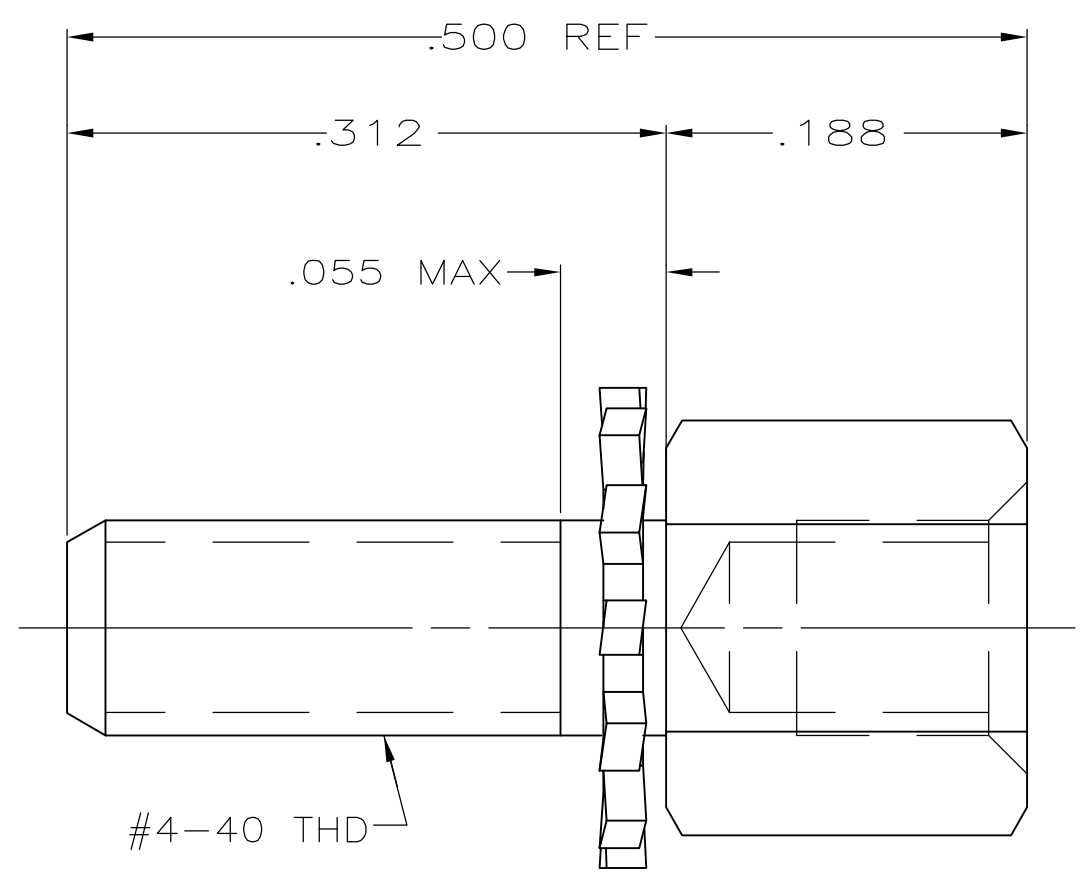
3

2

1

THIS DRAWING IS UNPUBLISHED. RELEASED FOR PUBLICATION  
 © COPYRIGHT BY TYCO ELECTRONICS CORPORATION. ALL RIGHTS RESERVED.

LOC	DIST	REVISIONS					
BD	39	P	LTR	DESCRIPTION	DATE	DWN	APVD
			B1	REVISED PER ECO-06-020811	12OCT06	JDP	CWR



- 1 ZINC PLATED PER ASTM B633, TYPE III, CLASS SCI, CLEAR CHROMATE.
- 2 PARTS PACKAGED AS A UNIT KIT.
- 3 PARTS INDIVIDUALLY BULK PACKED & SHIPPED AS A UNIT PACKAGE.
- 4 COLD ROLLED STEEL PER ASTM A108.

	3	2	1	748558-4
OBSELETE	2	2	1	748558-3
	PACKAGING	QUANTITY	FINISH	PART NO

THIS DRAWING IS A CONTROLLED DOCUMENT.		DWN	9-23-87		<p><b>OBSELETE</b> NOT the LATEST REVISION</p>	Tyco Electronics Corporation Harrisburg, PA 17105-3608					
DIMENSIONS: INCHES		CHK	9-24-87			FEMALE SCREWLOCK KIT, W/ EXTERNAL TOOTH LOCK WASHER, AMPLIMITE	SIZE	CAGE CODE	DRAWING NO	RESTRICTED TO	
TOLERANCES UNLESS OTHERWISE SPECIFIED:		S.WELDON		NAME			APVD	9-28-87	S.SCHIEFERLY		
0 PLC ± - 1 PLC ± - 2 PLC ± - 3 PLC ± .005 4 PLC ± - ANGLES ± -		PRODUCT SPEC		9-28-87		V.KUMAR					
MATERIAL		FINISH		WEIGHT		A3 00779		C-748558			
4		SEE TABLE		CUSTOMER DRAWING		SCALE	10:1	SHEET	1 OF 1	REV	B1