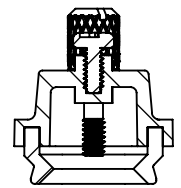
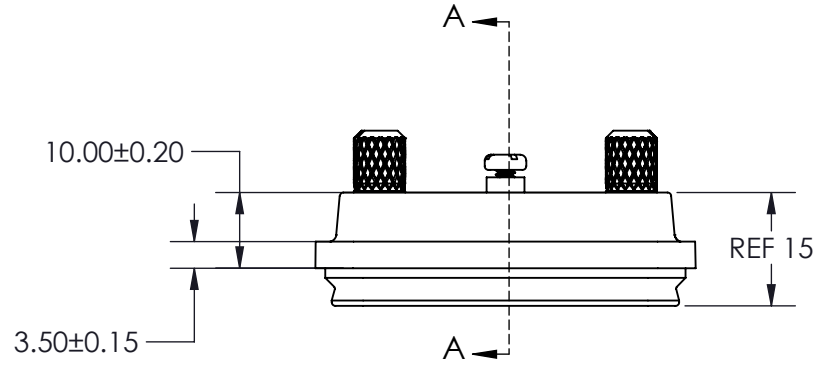
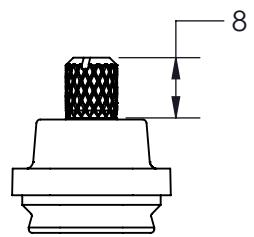
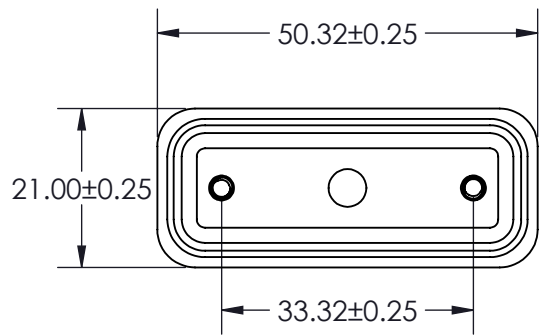


THIS IS A C.A.D. GENERATED DRAWING  
DO NOT MAKE MANUAL REVISIONS TO MASTER.



ISSUE NUMBER	
ORIGINAL	①



SECTION A-A  
SCALE 1 : 1



THIS SERIES FULLY CONFORMS TO THE EUROPEAN UNION DIRECTIVES 2002/95/EC AND 2002/96/EC FOR RoHS COMPLIANCY.

**Materials and Finish**

1. Body: ABS, UL94V-0, Black
2. Gasket: Silicon, Black
3. O-Ring: Silicon, Black
4. Thumb-Screw: #4-40 UNC, Nickel Plated
5. Screw: M3 X 0.6, Nickel Plated
6. Chain: SUS

DEGREE OF PROTECTION: IP67 AS PER IEC60529

<b>Standard Density Waterproof D-Sub Connector COVER</b> 627-229-015-010		ACAD REFERENCE NO. 627-229-015-010
		DRAWN: R.STA.MONICA      DATE: June.4/13
		CHECKED:                      DATE:
		SCALE:                      NTS      SHEET 1 OF 1
DRAWING NUMBER 627-229-015-010		ISSUE 1

**EDAC**      EDAC INC  
TORONTO, ONTARIO  
CANADA  
YOUR CONNECTION TO QUALITY & SERVICE

THESE DRAWINGS AND SPECIFICATIONS ARE THE PROPERTY OF EDAC INC. AND SHALL NOT BE REPRODUCED, OR COPIED OR USED AS THE BASIS FOR THE MANUFACTURE OR SALE OF APPARATUS WITHOUT WRITTEN PERMISSION.