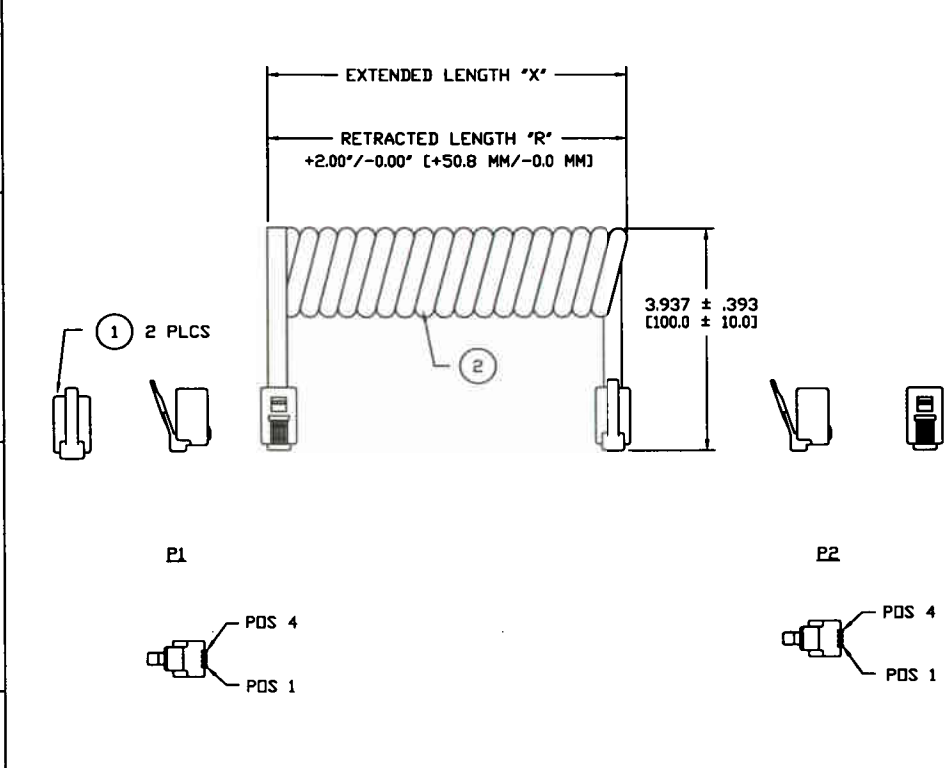


THESE DRAWINGS AND SPECIFICATIONS ARE THE SOLE PROPERTY OF I/O INTERCONNECT INC. U.S.A. AND SHALL NOT BE REPRODUCED, COPIED, OR USED IN ANY MANNER WITHOUT THE PRIOR WRITTEN CONSENT OF I/O INTERCONNECT INC. OR ITS AFFILIATED SUBSIDIARIES.

DWG. NO.	ZONE	REV.	DESCRIPTION	DATE	APPROVED
XX4-51X-D		D	ECN C285	09/17/01	K.C.
		E	CHANGE CUSTOMER P/N FOR P/N 444-104-501-3 TO H1442-10C-ND FOR ECN D132	09/17/01	C.H. L.
		F	ADD NOTE & CHANGE P/N TO ROHS COMPLIANT PER ECN D828	04/22/05	M.G.



WIRE DIAGRAM

P1		P2
1	BLACK	4
2	RED	3
3	GREEN	2
4	YELLOW	1

T.B.D.	GLF-444-144-515-D	GLF-121-410-022	14.0 FT [4.3 M]	34.0 IN [863.6 MM]	WHITE
T.B.D.	GLF-444-144-514-D	GLF-121-410-012	14.0 FT [4.3 M]	34.0 IN [863.6 MM]	BLACK
T.B.D.	GLF-444-144-513-D	GLF-121-410-002	14.0 FT [4.3 M]	34.0 IN [863.6 MM]	SILVER SATIN
T.B.D.	GLF-444-104-512-D	GLF-121-410-021	10.0 FT [3.0 M]	30.0 IN [762.0 MM]	WHITE
H1442-10C-ND	GLF-444-104-511-D	GLF-121-410-011	10.0 FT [3.0 M]	30.0 IN [762.0 MM]	BLACK
T.B.D.	GLF-444-104-510-D	GLF-121-410-001	10.0 FT [3.0 M]	30.0 IN [762.0 MM]	SILVER SATIN
T.B.D.	GLF-444-074-515-D	GLF-121-410-020	7.0 FT [2.1 M]	21.0 IN [533.4 MM]	WHITE
T.B.D.	GLF-444-074-514-D	GLF-121-410-010	7.0 FT [2.1 M]	21.0 IN [533.4 MM]	BLACK
T.B.D.	GLF-444-074-513-D	GLF-121-410-000	7.0 FT [2.1 M]	21.0 IN [533.4 MM]	SILVER SATIN
T.B.D.	GLF-444-054-512-D	GLF-121-410-023	5.0 FT [1.5 M]	17.0 IN [431.8 MM]	WHITE
H1442-05C-ND	GLF-444-054-511-D	GLF-121-410-013	5.0 FT [1.5 M]	17.0 IN [431.8 MM]	BLACK
H1443-05C-ND	GLF-444-054-510-D	GLF-121-410-003	5.0 FT [1.5 M]	17.0 IN [431.8 MM]	SILVER SATIN
DIGI-KEY PART NUMBER	ID# PART NUMBER	ID# CABLE PART NUMBER	EXTENDED LENGTH "X"	RETRACTED LENGTH "R"	COLOR

NOTES: UNLESS OTHERWISE SPECIFIED.

- TEST CABLE FOR ALL OPENS & SHORTS.
- PACKAGE CABLE ASSEMBLY INDIVIDUALLY IN PLASTIC BAG. PACKAGE INDIVIDUAL BAG PER LOT NUMBER QUANTITIES.
- MARK OUTSIDE OF SHIPPING BOX WITH CUSTOMER PART NUMBER.
- PLACE BAR CODE LABEL ON THE OUTSIDE OF EACH SHIPPING BOX LABEL DETAIL SEE DWG 090-990-001.
- ALL METRICAL SHOULD BE ROHS COMPLIANT.

ITEM	QTY	MFG.	ID# PART NO.	DESCRIPTION
2	"X"	ID#	SEE "TABULATION BLOCK"	MODULAR COIL CABLE, 26 AWG (7/34) BARE COPPER, 4 CONDUCTOR, UNSHIELDED, PVC JACKET, (SEE TABULATION BLOCK FOR COLOR). ROHS COMPLIANT.
1	2 PCS	ID#	GLF-325-441-50X	CONNECTOR, MODULAR PLUG, 4 POSITION, 4 CONDUCTOR, 50µ Au, FLAT TYPE EXIT. ROHS COMPLIANT.

CABLE ASSEMBLY PARTS LIST

THIRD ANGLE PROJECTION

UNLESS OTHERWISE NOTED:
 1) DIMENSIONS ARE IN INCHES (MILLIMETER)
 2) TOLERANCES:
 XXX ± 0.25 [6.35]

I/O INTERCONNECT
 SANTA ANA, CALIFORNIA

DR. BY: JERRY BAI 04/22/05
 DR. CHECKED: _____

TITLE: 4P4C/4P4C COIL CABLE, STANDARD STYLE, CABLE ASSEMBLY
 P/N: H144X-XXC-ND

REV. F

SCALE: NONE SHEET 1 OF 1