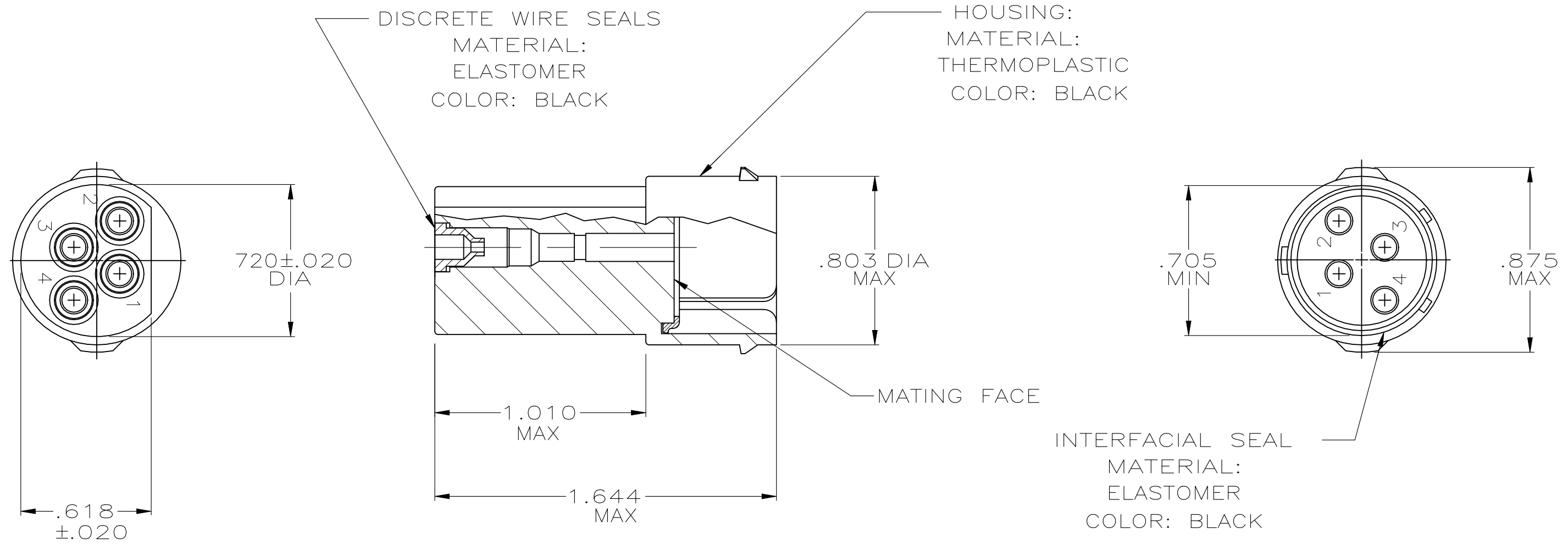


| REVISIONS | | | | |
|-----------|-----|---------------------|-----------|------|
| P | LTR | DESCRIPTION | DATE | APVD |
| | H | PER PCN E-20-018081 | 10MAR2021 | SCK |



1. WIRE INSULATION SEALING RANGE: .130-070 DIA.
2. THIN MEMBRANE PERMISSABLE ON SMALL DIAMETER OF WIRE SEALS.

207569-1
PART NUMBER

| | | | | | | | |
|--|--|------------------|------------|--------|--|------------|---------------|
| THIS DRAWING IS A CONTROLLED DOCUMENT. | | DWN | A.STAUB BG | 8/2/90 | STE TE Connectivity | | |
| DIMENSIONS: INCHES | | CHK | - | - | | | |
| TOLERANCES UNLESS OTHERWISE SPECIFIED: | | APVD | - | - | RECEPTACLE, 4 POSITION, STANDARD CIRCULAR SEALED CONNECTOR | | |
| 0 PLC ± - | | PRODUCT SPEC | - | - | SIZE | | |
| 1 PLC ± - | | APPLICATION SPEC | - | - | CAGE CODE | DRAWING NO | RESTRICTED TO |
| 2 PLC ± - | | | | | A3 | 00779 | C-207569 |
| 3 PLC ± - | | | | | SCALE | | |
| 4 PLC ± - | | | | | 2:1 | | |
| ANGLES ± - | | WEIGHT | 0.000000 | SHEET | | | 1 OF 1 |
| MATERIAL - | | FINISH - | | REV | | | H |
| | | CUSTOMER DRAWING | | | | | |