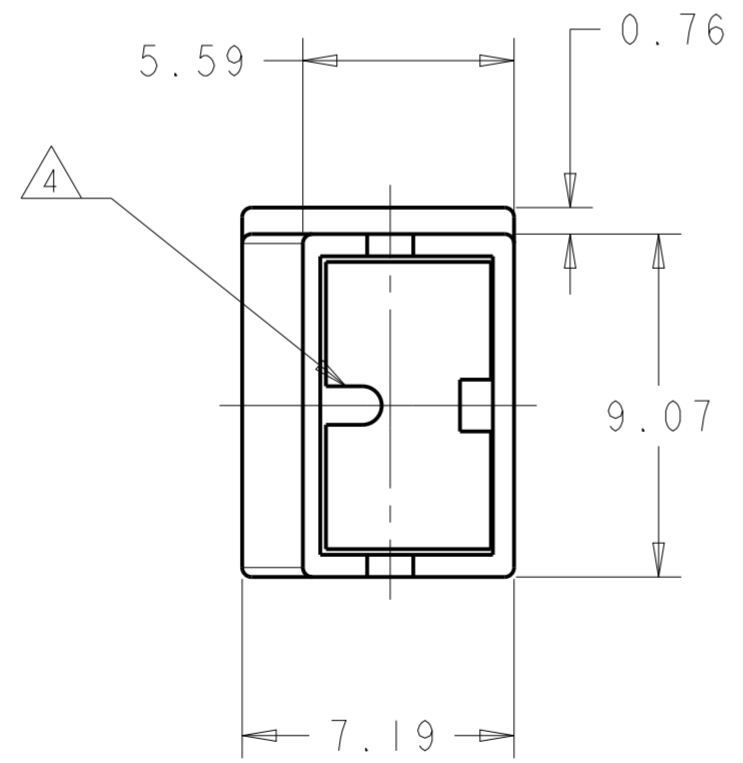
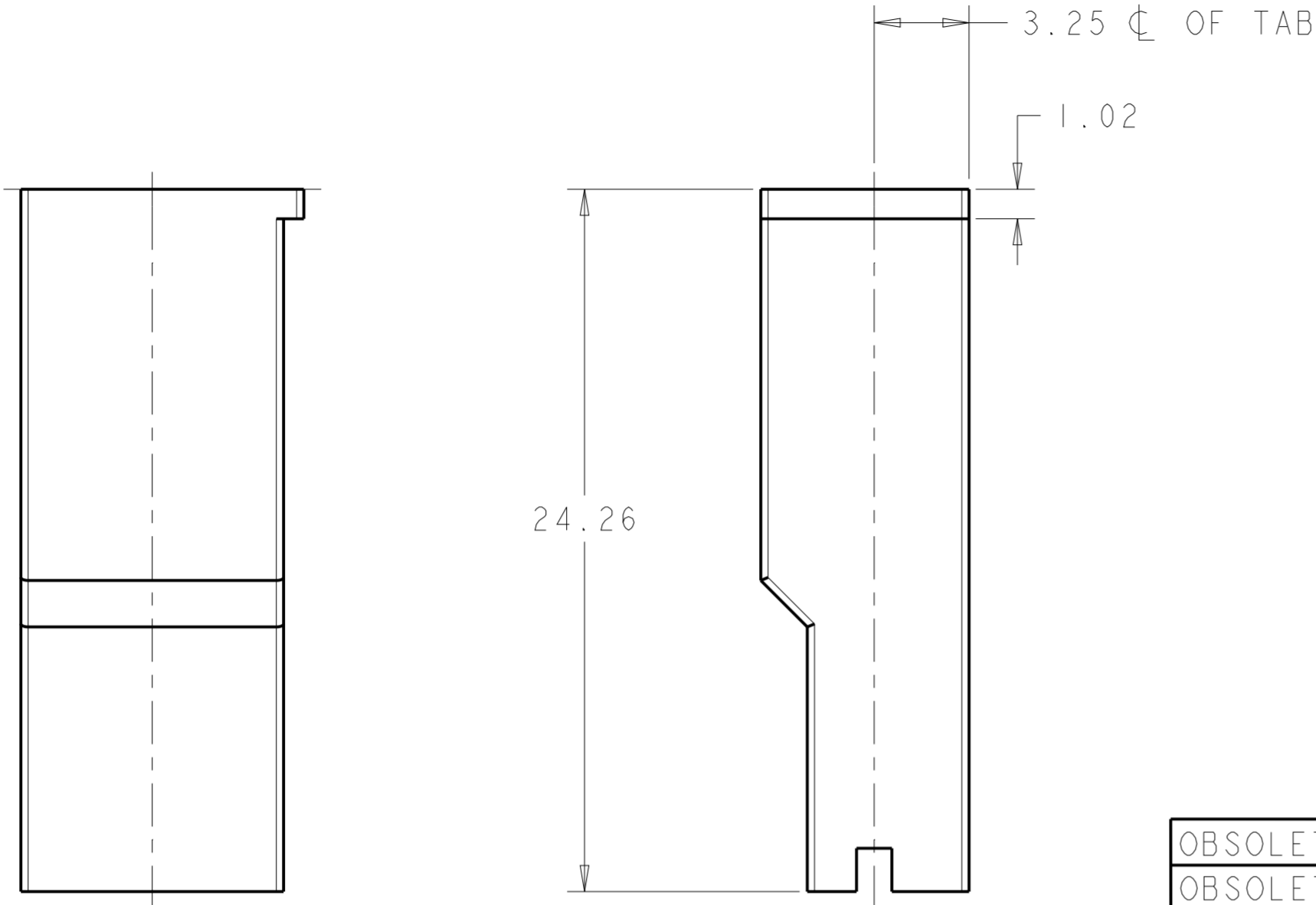


THIS DRAWING IS UNPUBLISHED. RELEASED FOR PUBLICATION 20  
 © COPYRIGHT 20 y ALL RIGHTS RESERVED.

LOC	DIST	REVISIONS					
		P	LTR	DESCRIPTION	DATE	DWN	APVD
IR	-			AV5 REVISED PER ECR-16-016851	28NOV2016	HG	TD
				AV6 REVISED PER ECR-19-012306	24MAR2020	SS	DL
				AV7 REVISED PER ECR-21-101990	19APR2021	SS	EW



- NOTES:
- ① PA66 NATURAL MATERIAL ACC TO SPEC IEC 60335-1 GWT 750° WITHOUT FLAME
  - ② MOISTURISED PRODUCT FOR SMALL WIRE APPLICATIONS
  - ③ ONLY FOR USE WITH POST PLATED OR WASHED CONTACTS
  - ④ RIB IS EXTEND TO FRONT OF HOUSING FOR BRAZIL PRODUCTION
  - ⑤ USING EQUIVALENT ALTERNATE MATERIAL
  - ⑥ OBSOLETE PART
  - 7 INTERNAL FLASH INSIDE CAVITY (THIN AND FLEXIBLE THAT DO NOT COME OFF) ACCEPTABLE UP TO 0.15 mm. EXTERNAL FLASH ACCEPTABLE UP TO 0.4 mm

OBSOLETE	②	<del>8-154719-6</del>	As Drg	UL 94 V0	PA 66	Orange
OBSOLETE	② ⑥	<del>8-154719-5</del>	As Drg	UL 94 V2	PA 6/6 or Equivalent	Natural
OBSOLETE	①	<del>8-154719-4</del>	As Drg	UL 94 V0	PA 66	Natural
		8-154719-3	As Drg.	UL 94 V0	PA 66/6	Terracotta
OBSOLETE	②	<del>8-154719-1</del>	As Drg.	UL 94 V2	PA 6/6 or Equivalent	Black
		8-154719-0	As drg.	UL 94 V0	PA 6/6 or Equivalent	Clear
		7-154719-0	AE	UL 94 V0	PA 66	Orange (Ral 2000)
		6-154719-6	AB	UL 94 V2	PBT	Black
		5-154719-0	AB	UL 94 V0	PPE+PS	Orange
		4-154719-0	AA	UL 94 V0	PA 66	(Bk-59 Black)
	③	2-154719-0	AA	UL 94 V0	PPE+PS	Red
	⑤	1-154719-1	As Drg.	UL 94 V0	PA 6/6 or Equivalent	Natural
		1-154719-0	AE	UL 94 V0	PA 6/6 or Equivalent	Natural
		154719-9	As Drg.	UL 94 V2	PA 6/6 or Equivalent	Brown
		154719-6	As Drg.	UL 94 V2	PA 6/6 or Equivalent	Blue
		154719-5	As Drg.	UL 94 V2	PA 6/6 or Equivalent	Green
		154719-4	As Drg.	UL 94 V2	PA 6/6 or Equivalent	Yellow
		154719-2	As Drg.	UL 94 V2	PA 6/6 or Equivalent	Red
		154719-1	As Drg.	UL 94 V2	PA 6/6 or Equivalent	Natural
		154719	As. Drg.	UL 94 V2	PA 6/6 or Equivalent	Black
Notes		Part Number	Part Revision	Flammability Rating	Material	Colour

THIS DRAWING IS A CONTROLLED DOCUMENT.

DWN	A. J. BEKEN	09MAY2002	 TE Connectivity
CHK	S. CLAPPISON	09MAY2002	
APVD	S. CLAPPISON	09MAY2002	
NAME	S. CLAPPISON		
PRODUCT SPEC	108-3252		POSITIVE LOCK RECEPTACLE INSULATOR
APPLICATION SPEC	114-2153		SIZE CAGE CODE DRAWING NO A200779 C-154719
MATERIAL	See Table		WEIGHT 0.5g SCALE 5:1 SHEET 1 OF 1 REV AV7