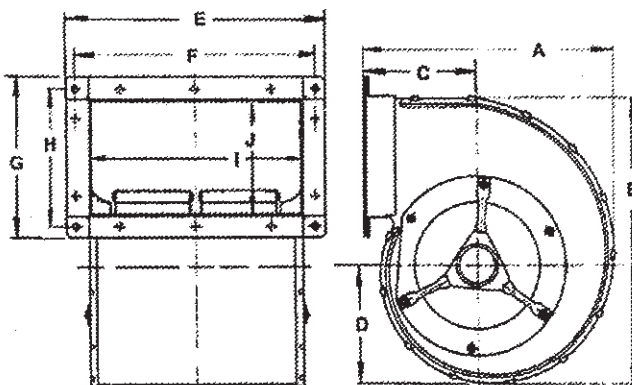


ebm 
INDUSTRIES, INC.

**D3G146 Series
Centrifugal**

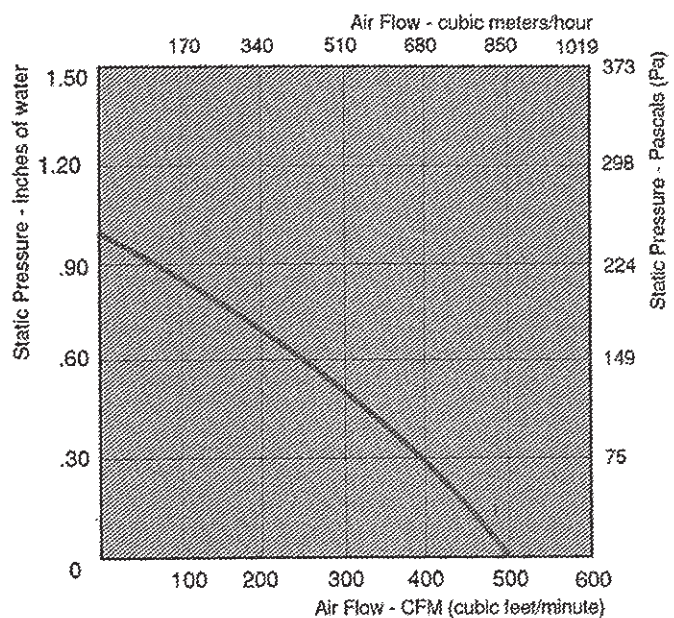
**Dual inlet centrifugal blower with
brushless DC motor mounted inside the
scroll housing for better performance and
compact form/fit**

Part Number	CFM @ 0	Curve	Volts	Voltage Range	Watts	dBA	Temp. Max C	Wgt. (oz)	Type Of Bearing	Features	Insul. Class
D3G146-AA31-21	506	1	48	36 to 56	86	58	50	136	Ball	Flange	R
D3G146-AA19-22	492	1	12	16 to 28	97.5	59	50	136	Ball	No Flange	R



DIMENSIONS - Inches (mm)

PART NUMBER	A	B	C	D	E	F	G	H	I	J
D3G146-AA05-21	8.11 (206)	8.62 (219)	3.82 (97)	3.86 (98)	10.63 (270)	10.00 (254)	5.59 (142)	4.96 (126)	9.13 (232)	4.02 (102)
D3G146-AA19-22	8.07 (205)	8.62 (219)	3.78 (96)	3.86 (98)	-	-	-	-	9.13 (232)	4.09 (104)



E-mail: sales@ebm.com · TEL: 860-674-1515 · FAX: 860-674-8536

ebm Industries, Inc., 100 Hyde Road, Farmington, CT 06034 USA

ebm Industries, Inc., 2000, 2001 · ebm Industries, Inc. reserves the right to change any specifications or data without notice