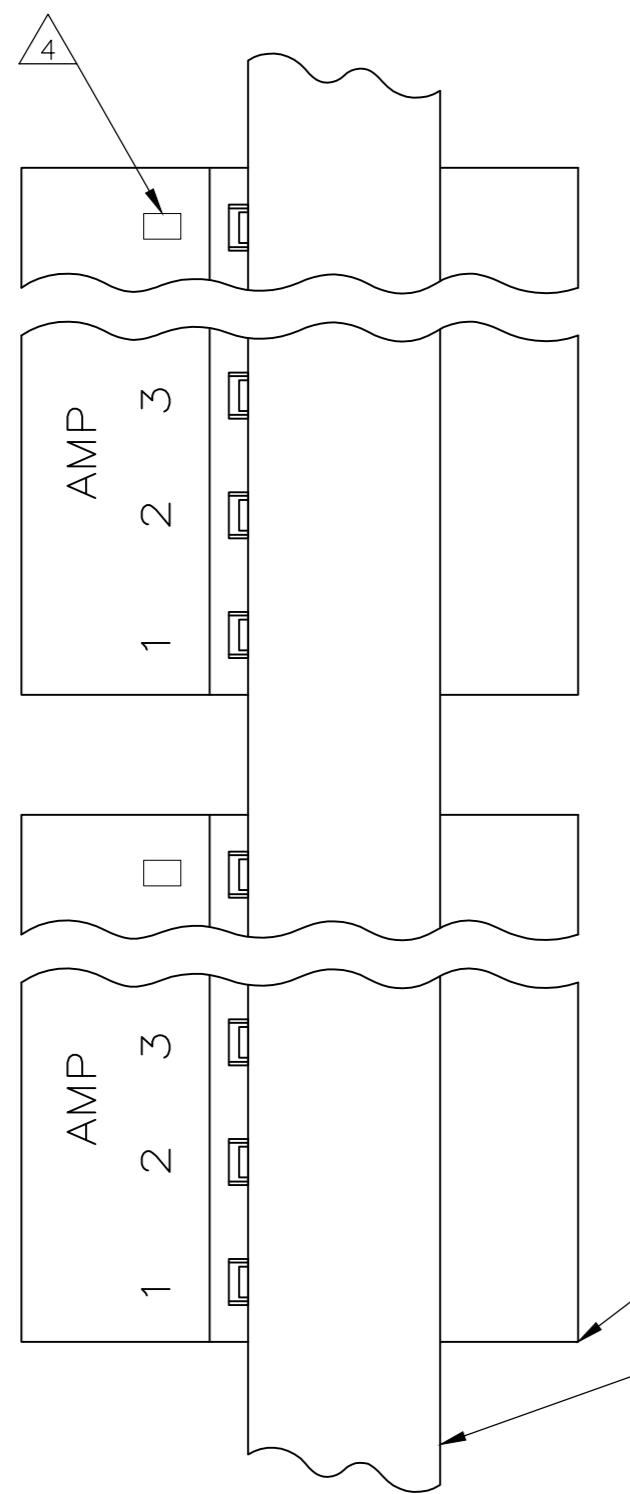
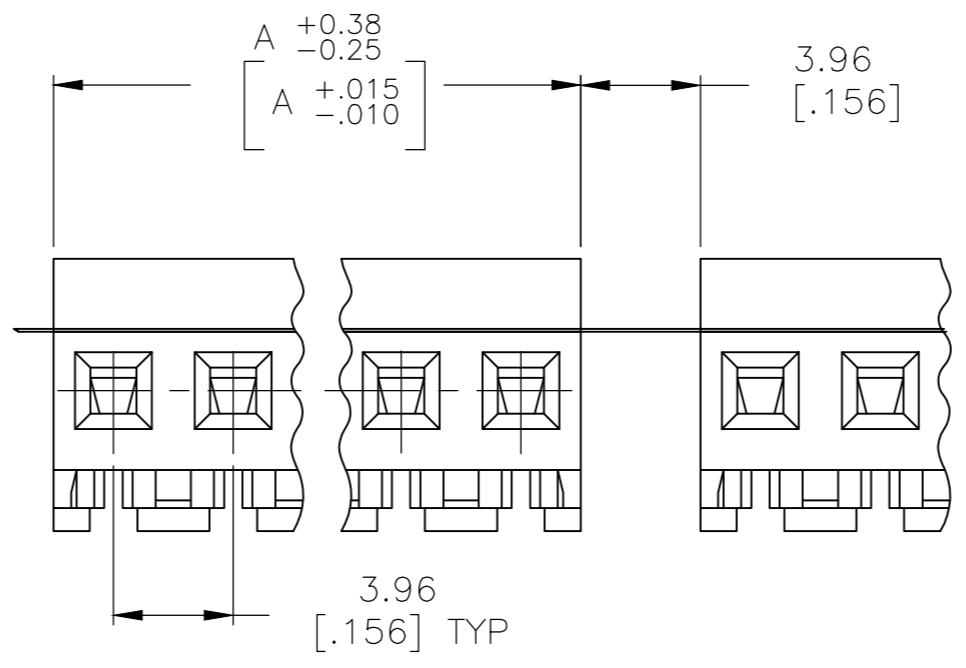
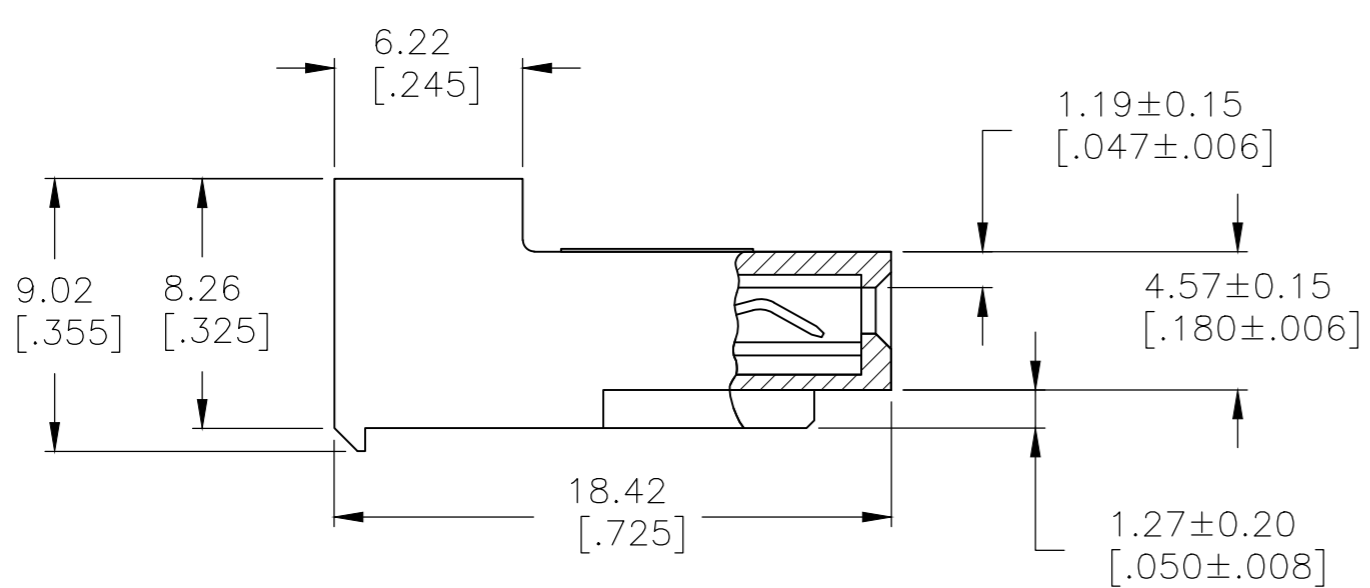


THIS DRAWING IS UNPUBLISHED. RELEASED FOR PUBLICATION
 © COPYRIGHT - By - TE CONNECTIVITY ALL RIGHTS RESERVED.

LOC	DIST	REVISIONS					
CM	00	P	LTR	DESCRIPTION	DATE	DWN	APVD
		T		REVISED PER ECR-20-000814	26MAY2020	PC	SW



- 1 MATERIAL: CONNECTOR - NYLON UL94V-2 (ORANGE).
CONTACTS - 0.30 [.012] THICK COPPER ALLOY
BRIGHT TIN-LEAD 0.00203 [.000080] MIN THICK
FOR CONTACTS 640477-2 THRU 2-640477-4
MATTE WHISKER MITIGATED TIN 0.00203 [.000080]
MIN THICKNESS OVER NICKEL UNDERPLATE FOR
CONTACTS 3-640477-2 THRU 5-640477-4
- 2 CONTACTS ACCEPT 18 AWG WIRE WITH 2.41[.095] MAX
INSULATION DIAMETER.
- 3 CONTACTS MUST ACCEPT 1.14±0.03 [.045±.001] SQUARE
POST AND REMAIN LOCKED IN POSITION.
- 4 IDENTIFICATION NUMBER FOR LAST CIRCUIT MAY
NOT APPEAR ON ALL ASSEMBLIES.
- 5 DIMENSIONS IN BRACKETS ARE IN INCHES.
- 6 HOUSING FEATURES ARE: CLOSED END WITHOUT LOCKING
RAMP.
- 7 OBSOLETE PARTS: OBSOLETE CIS STREAMLINING PER D.RENAUD/D.SINISI
- 8 OBSOLETE PARTS



DIM A	NO OF CIRCUITS	PART NO
95.10 [3.744]	24	5-640477-4
91.14 [3.588]	23	5-640477-3
87.17 [3.432]	22	5-640477-2
83.21 [3.276]	21	5-640477-1
79.25 [3.120]	20	5-640477-0
75.29 [2.964]	19	4-640477-9
71.32 [2.808]	18	4-640477-8
67.36 [2.652]	17	4-640477-7
63.40 [2.496]	16	4-640477-6
59.44 [2.340]	15	4-640477-5
55.47 [2.184]	14	4-640477-4
51.51 [2.028]	13	4-640477-3
47.55 [1.872]	12	4-640477-2
43.59 [1.716]	11	4-640477-1
39.62 [1.560]	10	4-640477-0
35.66 [1.404]	9	3-640477-9
31.70 [1.248]	8	3-640477-8
27.74 [1.092]	7	3-640477-7
23.77 [.936]	6	3-640477-6
19.81 [.780]	5	3-640477-5
15.85 [.624]	4	3-640477-4
11.89 [.468]	3	3-640477-3
7.92 [.312]	2	3-640477-2
95.10 [3.744]	24	2-640477-4
91.14 [3.588]	23	2-640477-3
87.17 [3.432]	22	2-640477-2
83.21 [3.276]	21	2-640477-1
79.25 [3.120]	20	2-640477-0
75.29 [2.964]	19	1-640477-9
71.32 [2.808]	18	1-640477-8
67.36 [2.652]	17	1-640477-7
63.40 [2.496]	16	1-640477-6
59.44 [2.340]	15	1-640477-5
55.47 [2.184]	14	1-640477-4
51.51 [2.028]	13	1-640477-3
47.55 [1.872]	12	1-640477-2
43.59 [1.716]	11	1-640477-1
39.62 [1.560]	10	1-640477-0
35.66 [1.404]	9	640477-9
31.70 [1.248]	8	640477-8
27.74 [1.092]	7	640477-7
23.77 [.936]	6	640477-6
19.81 [.780]	5	640477-5
15.85 [.624]	4	640477-4
11.89 [.468]	3	640477-3
7.92 [.312]	2	640477-2

SUPERSEDED
 7
 SUPERSEDED
 8
 SUPERSEDED
 7

640477

THIS DRAWING IS A CONTROLLED DOCUMENT.

DIMENSIONS: mm [INCHES]	TOLERANCES UNLESS OTHERWISE SPECIFIED:	DWN L. SMITH 02 MAR 94	CHK R. SWING 02 MAR 94	APVD D. CLARK 10 MAR 94	NAME MTA-156 CONNECTOR ASSEMBLY, 18 AWG, STANDARD TAPE MOUNTED
0 PLC ± -	1 PLC ± -	PRODUCT SPEC 108-1051	SIZE A2	CAGE CODE 00779	DRAWING NO C=640477
2 PLC ± 0.13 [.005]	3 PLC ± -	APPLICATION SPEC 114-1020	WEIGHT	RESTRICTED TO	
4 PLC ± -	ANGLES ± -	FINISH	CUSTOMER DRAWING	SCALE 4:1	SHEET 1 OF 1

TE Connectivity