



- NOTES:
- MATERIAL:  
CONNECTOR:  
HOUSING - HIGH TEMPERATURE THERMOPLASTIC GLASS FILLED, UL 94V-0, BLACK  
TERMINALS - COPPER ALLOY  
SHELL  
NICKEL SILVER, C770, THICKNESS: 0.250/0.254
  - FINISH:  
CONNECTOR  
OPTION 1  
CONTACT AREA - 0.38µm MIN GOLD OVER 2.54 µm NICKEL  
SOLDER FOOT AREA - 2.54-5.09µm TIN OVER 1.27 µm NICKEL  
OPTION 2  
CONTACT AREA - 0.76µm MIN GOLD OVER 2.54 µm NICKEL  
SOLDER FOOT AREA - 2.54-5.09µm TIN OVER 1.27 µm NICKEL
  - TERMINAL SOLDER FEET TO BE COPLANAR WITHIN 0.10 MEASURED FROM DATUM E
  - DATE CODE: 4 DIGIT (3 DIGIT DAY, 1 DIGIT YEAR) ON CONNECTOR ONLY
  - CIRCUIT IDENTIFIER: SEE APPROPRIATE INDUSTRY SPECIFICATION FOR LOCATION OF PIN 1
  - TO BE USED WITH THE FOLLOWING CABLE SERIES:  
79575/74563/79576/74573/79536/74562/74569/74586
  - PACKAGED PER PACKAGING SPECIFICATION: PK-75783-001
  - CONFORMS TO PRODUCT SPECIFICATION: PS-75783-001
  - PROCESS PER APPLICATION SPECIFICATION: AS-75783-001
  - THIS PART CONFORMS TO CLASS C REQUIREMENTS OF COSMETIC SPEC PS-45499-002

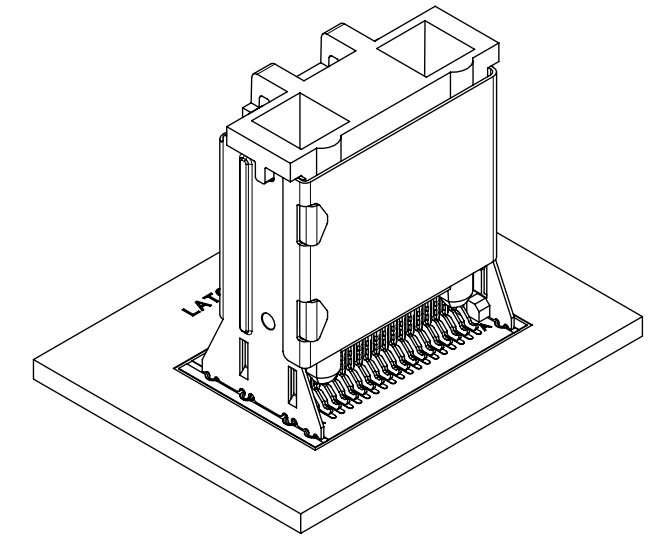
| CIRCUIT SIZE | DIM 'A' | DIM 'B' | DIM 'C' |
|--------------|---------|---------|---------|
| 26           | 12.00   | 13.80   | 11.80   |
| 36           | 16.00   | 17.80   | 15.80   |
| 50           | 21.60   | 23.40   | 21.40   |
| 68           | 28.80   | 30.60   | 28.60   |

iPass™ IS A TRADEMARK OF MOLEX

|                |   |                        |  |
|----------------|---|------------------------|--|
| <b>SYMBOLS</b> | THIS DRAWING CONTAINS INFORMATION THAT IS PROPRIETARY TO MOLEX ELECTRONIC TECHNOLOGIES, LLC AND SHOULD NOT BE USED WITHOUT WRITTEN PERMISSION | SCALE<br><b>5:1</b>    | CURRENT REV DESC: MIGRATED TO NX   |
| ▽ = 0          | DIMENSION UNITS<br><b>mm</b>  |                        | <b>molex</b><br><br>I-PASS VERT CONNECTOR<br>INTERNAL ASSY W/SHELL 0.8MM PITCH I/O                           |
| ▽ = 0          | GENERAL TOLERANCES (UNLESS SPECIFIED)   |                        |  |
| ▽ = 0          | ANGULAR TOL ± 0.5°  |                        | EC NO: 666196<br>DRWN: BBEGALIMADHU 2018/03/05<br>CHK'D: JKACHLIC 2021/06/21<br>APPR: JKACHLIC 2021/06/21    |
| ▽ = 0          | 4 PLACES ±  |                        | PRODUCT CUSTOMER DRAWING<br>DOCUMENT NUMBER: <b>SD-75784-001</b><br>DOC TYPE: PSD DOC PART: 001 REVISION: D5 |
| ▽ = 0          | 3 PLACES ±  |                        |  |
| ▽ = 0          | 2 PLACES ± 0.13   |                        | INITIAL REVISION:<br>DRWN: KLANG 2005/04/15<br>APPR: RNELSON 2005/04/18                                      |
| ▽ = 0          | 1 PLACE ± 0.25  |                        |  |
| ⊠ = 0          | 0 PLACES ±  |                        | MATERIAL NUMBER: SEE CHART<br>CUSTOMER: GENERAL MARKET<br>SHEET NUMBER: 1 OF 13                              |
| ■ = 0          | DRAFT WHERE APPLICABLE MUST REMAIN WITHIN DIMENSIONS  | THIRD ANGLE PROJECTION |  |
| ▽ = 0          |   | DRAWING: <b>C-SIZE</b> | SERIES: <b>75784</b>   |

# ASSEMBLY WITH PRE-POSITIONING DEVICE

PICK & PLACE NOZZLE AREA



36 CIRCUIT RETENTION FIT SHOWN

**NOTES:**

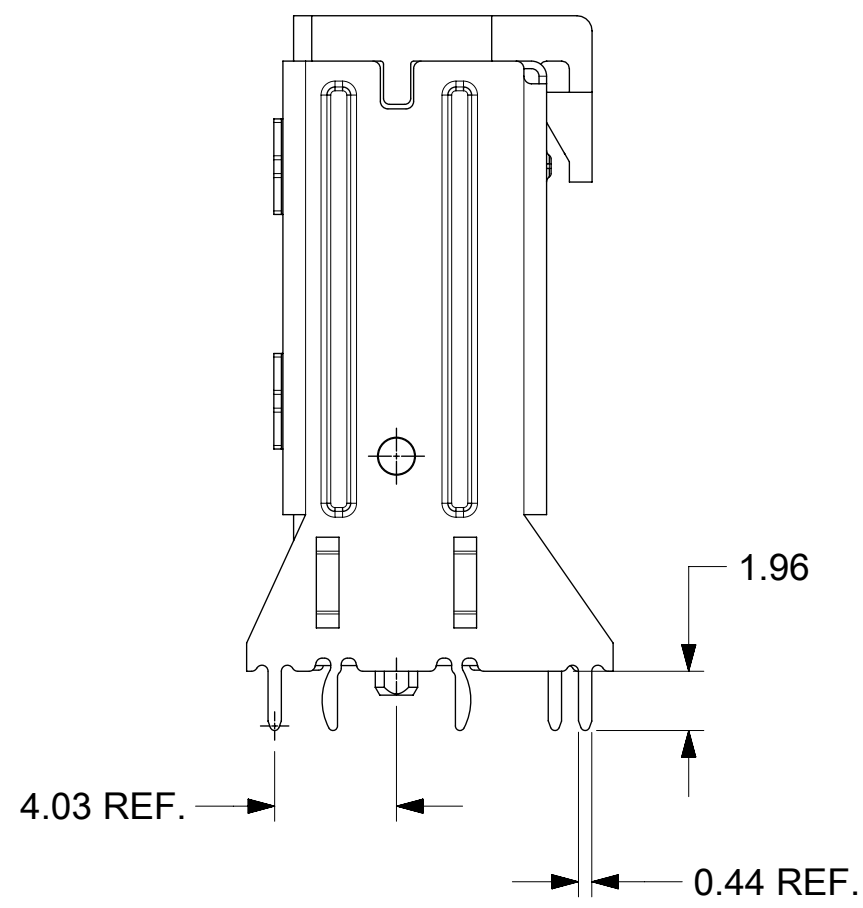
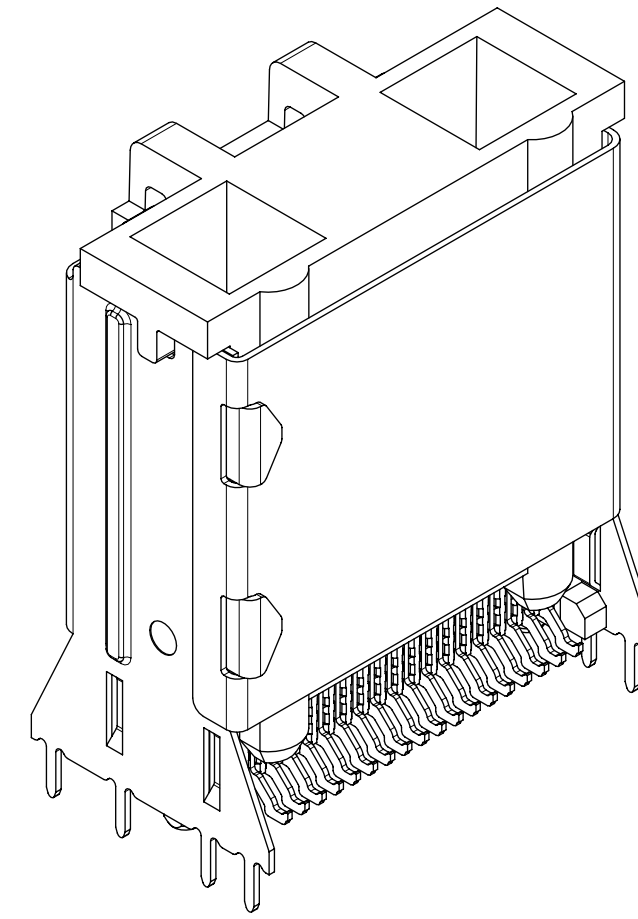
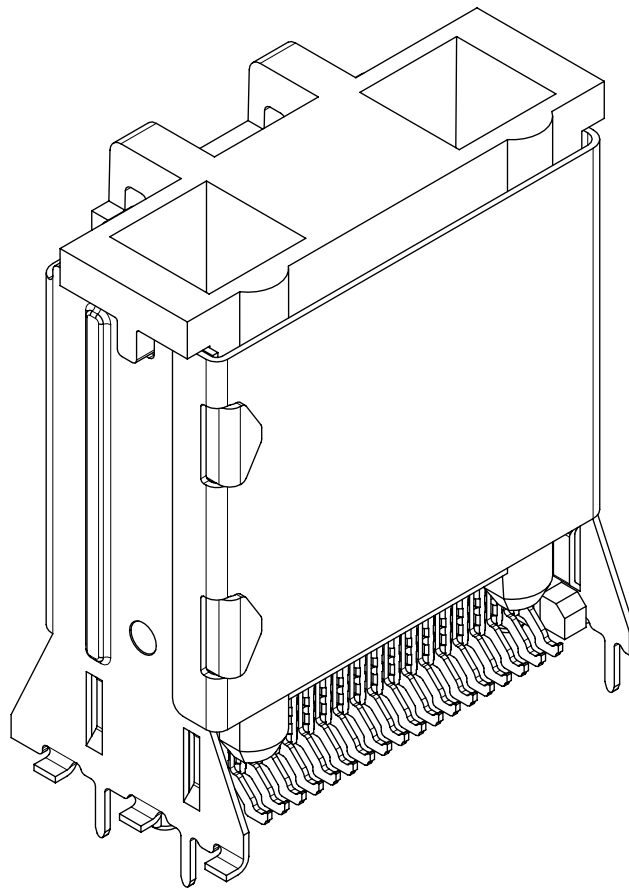
1. PICK AND PLACE LOCATION DEFINED ON APPLICATION SPECIFICATION AS-75783-001
2. PACKAGING CONSISTS OF CONNECTOR AND SHELL WITH A PRE-POSITIONING PICK AND PLACE DEVICE THAT ARE PACKAGED IN "TAPE AND REEL" FOR ROBOTIC PICK AND PLACE.

iPass™ IS A TRADEMARK OF MOLEX

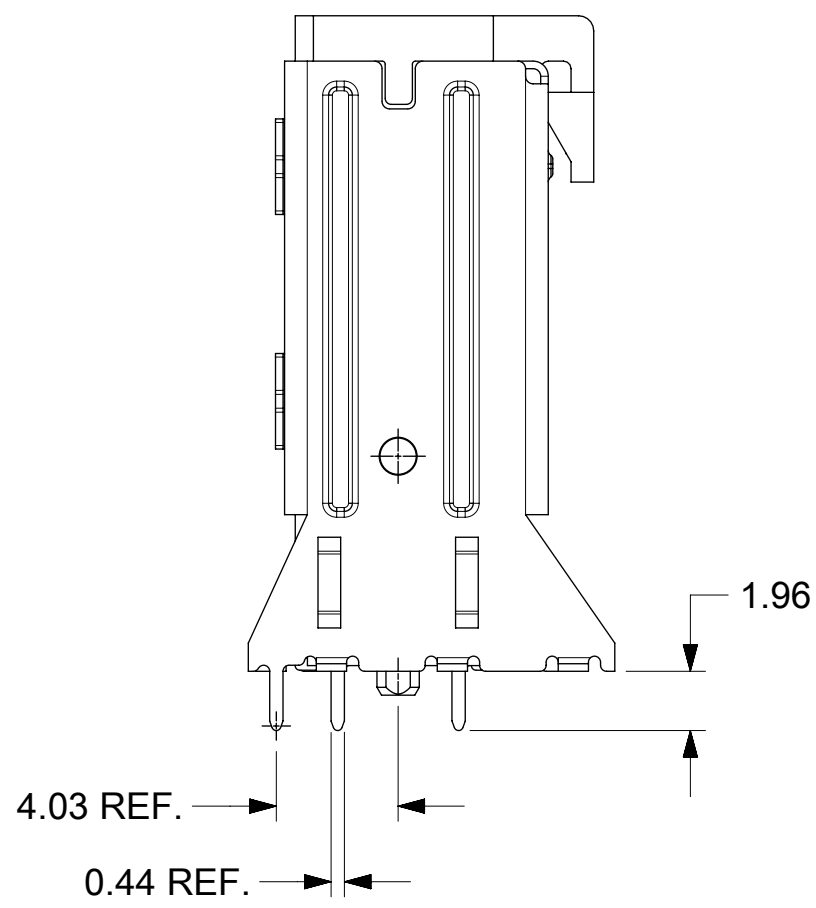
| CIRCUIT SIZE | DIM 'D' |
|--------------|---------|
| 26           | 15.50   |
| 36           | 19.50   |
| 50           | 25.10   |
| 68           | 32.30   |

|                 |  |   |                        |                                  |  |
|-----------------|--|---|------------------------|----------------------------------|--|
| SYMBOLS         |  | THIS DRAWING CONTAINS INFORMATION THAT IS PROPRIETARY TO MOLEX ELECTRONIC TECHNOLOGIES, LLC AND SHOULD NOT BE USED WITHOUT WRITTEN PERMISSION |                        | CURRENT REV DESC: MIGRATED TO NX |  |
| ▽ = 0           | DIMENSION UNITS                                      | mm  | SCALE                  | 5:1                              | EC NO: 666196<br>DRWN: BBEGALIMADHU 2018/03/05<br>CHK'D: JKACHLIC 2021/06/21<br>APPR: JKACHLIC 2021/06/21<br>INITIAL REVISION:<br>DRWN: KLANG 2005/04/15<br>APPR: RNELSON 2005/04/18 |
| ▽ = 0           | GENERAL TOLERANCES (UNLESS SPECIFIED)                |   |                        |                                  |  |
| ▽ = 0           | ANGULAR TOL ± 0.5°                                   |   |                        |                                  |  |
| ▽ = 0           | 4 PLACES ±   |   |                        |                                  |  |
| ▽ = 0           | 3 PLACES ±   |   |                        |                                  |  |
| ▽ = 0           | 2 PLACES ± 0.13                                      |   |                        |                                  |  |
| ▽ = 0           | 1 PLACE ± 0.25                                       |   |                        |                                  |  |
| ▽ = 0           | 0 PLACES ±   |   |                        |                                  |  |
| ▽ = 0           | DRAFT WHERE APPLICABLE MUST REMAIN WITHIN DIMENSIONS |   | THIRD ANGLE PROJECTION | DRAWING                          | SERIES   |
| ▽ = 0           |  |   |                        | C-SIZE                           | 75784  |
| DOCUMENT STATUS |  | P1  | RELEASE DATE           | 2021/06/21 03:48:56              | DOCUMENT NUMBER  |
|                 |  |   |                        |                                  | SD-75784-001   |
|                 |  |   |                        |                                  | DOC TYPE   |
|                 |  |   |                        |                                  | PSD  |
|                 |  |   |                        |                                  | DOC PART   |
|                 |  |   |                        |                                  | 001  |
|                 |  |   |                        |                                  | REVISION   |
|                 |  |   |                        |                                  | D5   |
|                 |  |   |                        |                                  | MATERIAL NUMBER  |
|                 |  |   |                        |                                  | SEE CHART  |
|                 |  |   |                        |                                  | CUSTOMER   |
|                 |  |   |                        |                                  | GENERAL MARKET   |
|                 |  |   |                        |                                  | SHEET NUMBER   |
|                 |  |   |                        |                                  | 2 OF 13  |

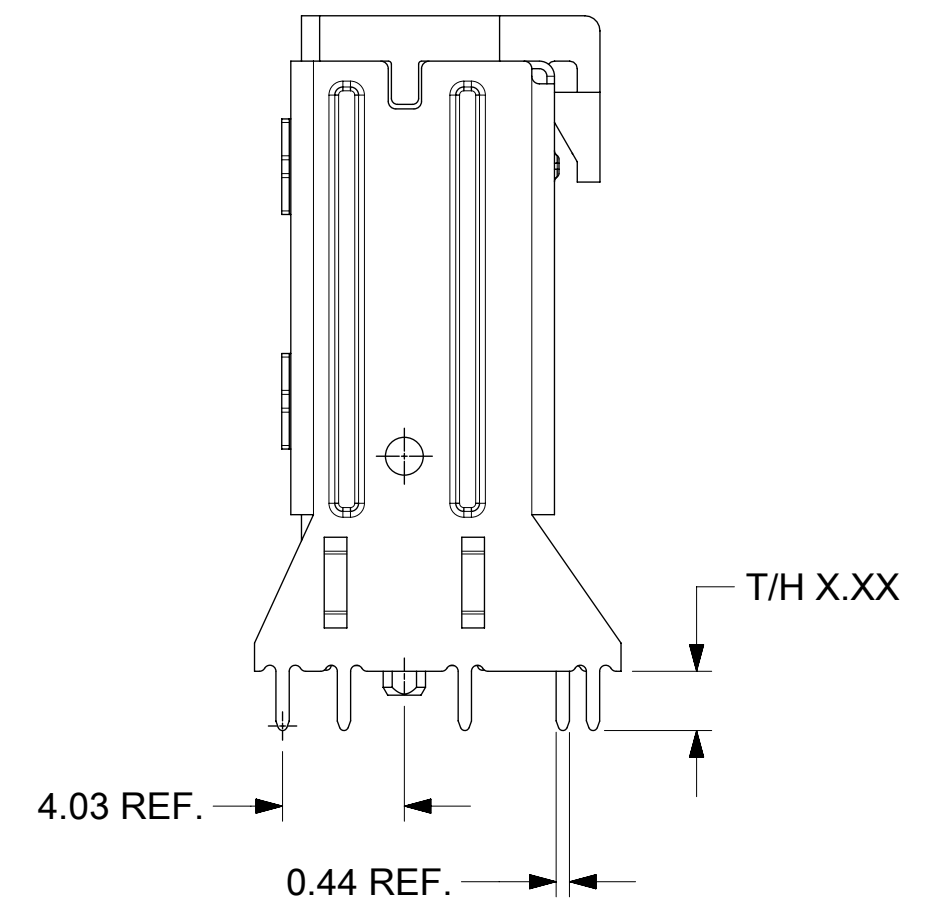
# SHELL PCB INTERFACE



RETENTION-FIT  
SHELL OPTION



SMT SHELL OPTION



THRU-HOLE SHELL OPTION  
SEE TABLE FOR LENGTH  
(X.XX DENOTES LENGTH)

RECOMMENDED PCB THICKNESS  
FOR SPECIFIED TAIL LENGTH

| TAIL LENGTH | PCB THICKNESS |
|-------------|---------------|
| 1.96        | 1.57 (.062)   |
| 2.79        | 2.36 (.093)   |
| 3.18        | 2.79 (.110)   |
| 3.56        | 3.18 (.125)   |

NOTE:  
RETENTION FIT DENOTES TAILS THAT OFFER RETENTION TO PCB DURING REFLOW PROCESS  
SMT DENOTES SURFACE MOUNT TERMINATION  
T/H X.XX DENOTES THRU-HOLE TAIL OF LENGTH X.XX

iPass™ IS A TRADEMARK OF MOLEX

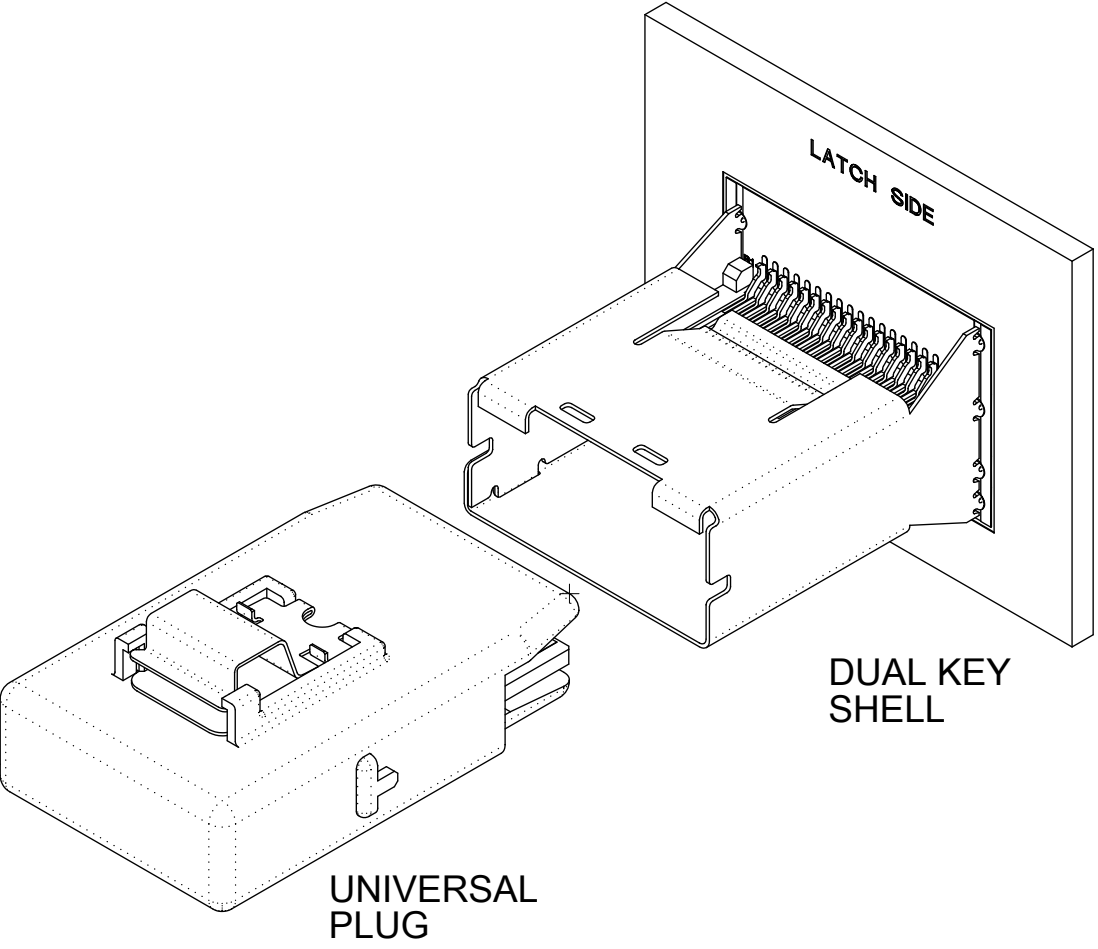
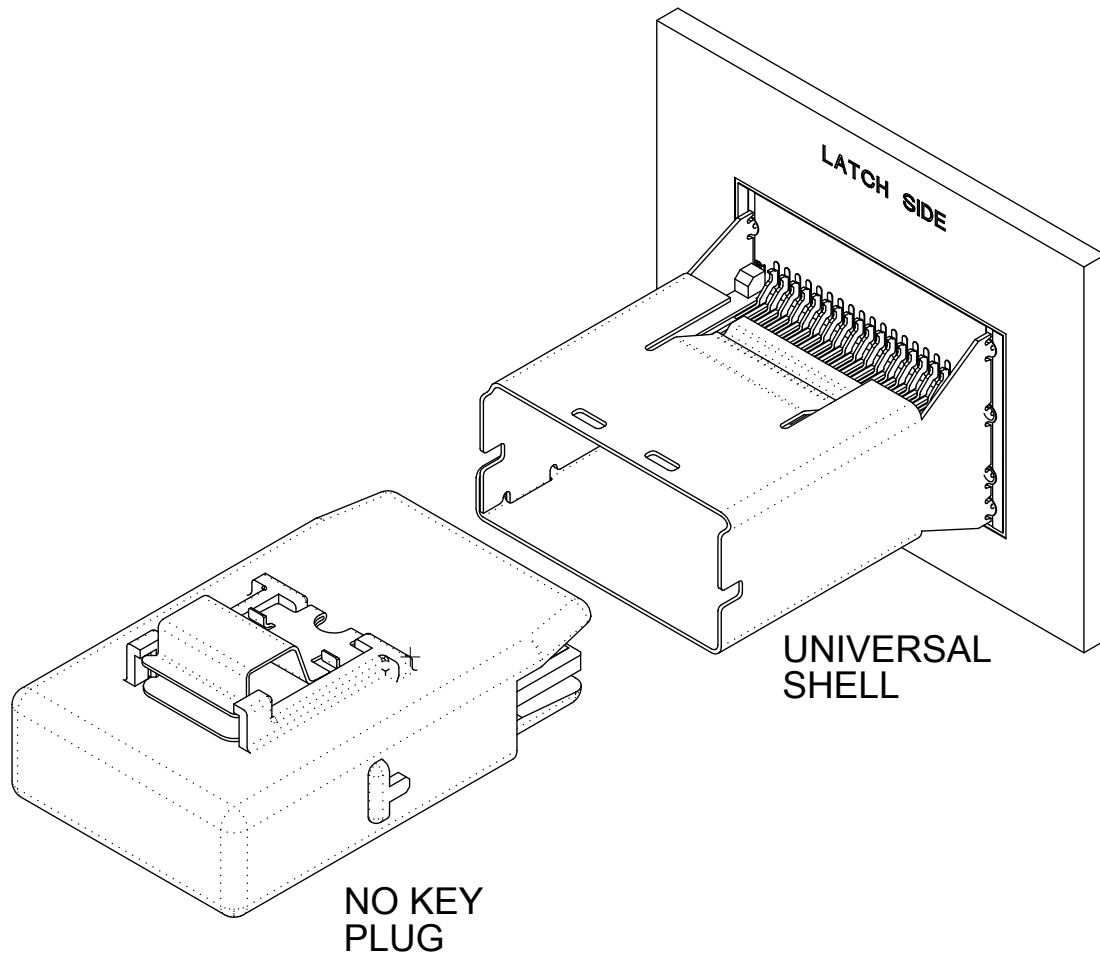
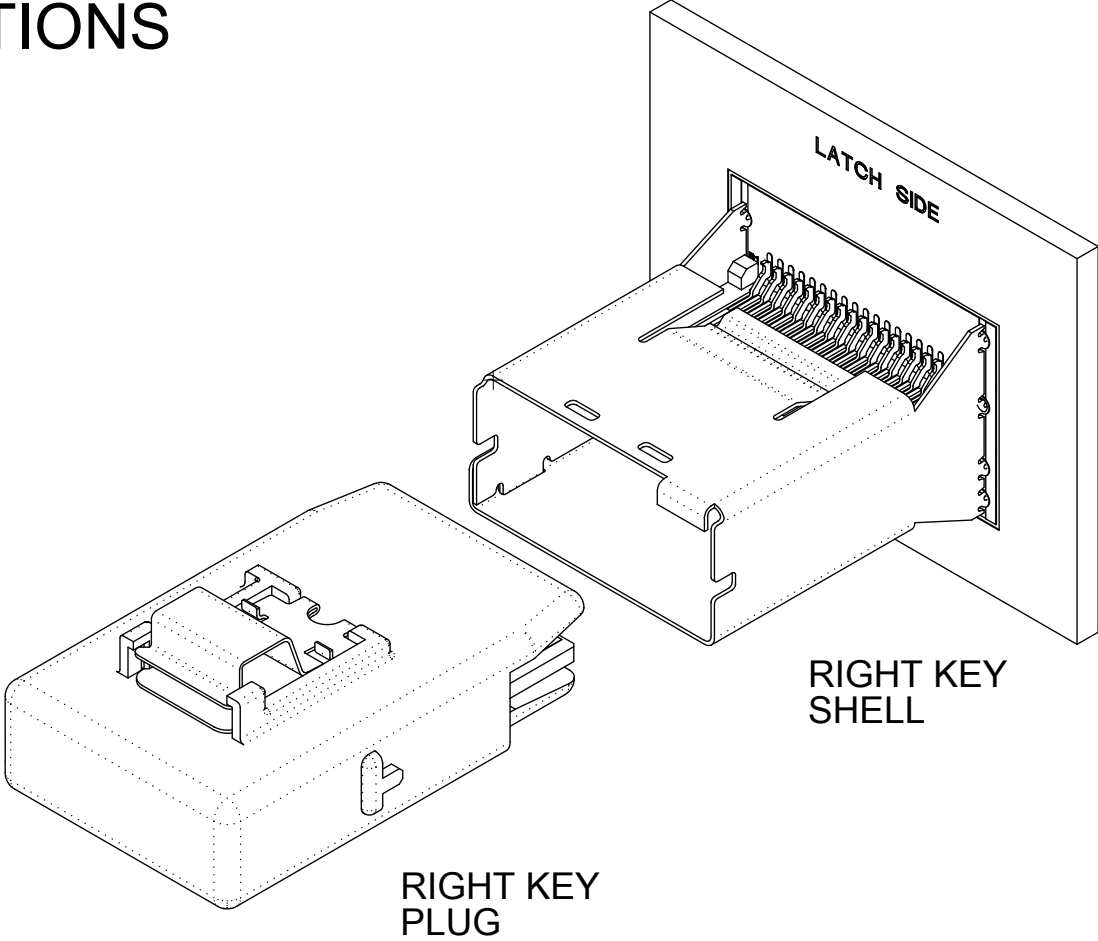
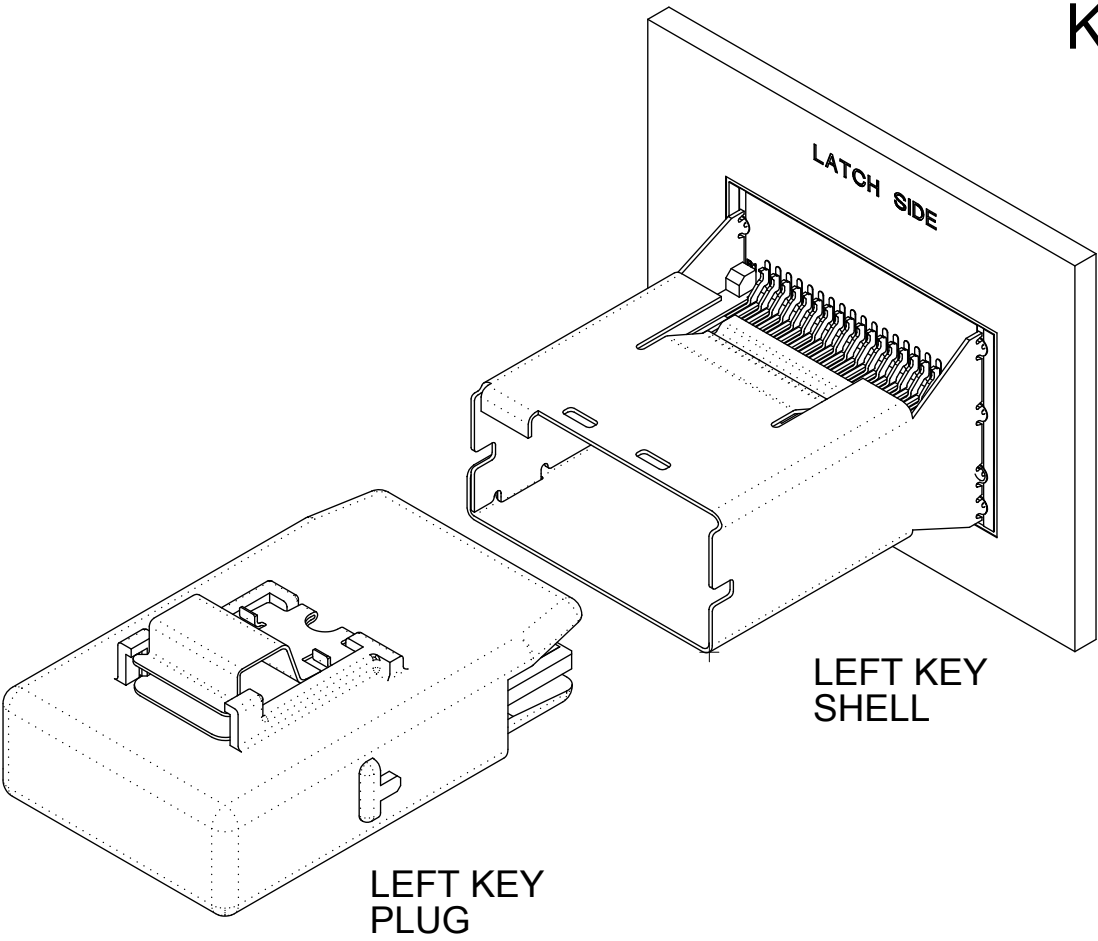
|         |   |         |   |
|---------|---|---------|---|
| SYMBOLS | THIS DRAWING CONTAINS INFORMATION THAT IS PROPRIETARY TO MOLEX ELECTRONIC TECHNOLOGIES, LLC AND SHOULD NOT BE USED WITHOUT WRITTEN PERMISSION |         |   |
|         | DIMENSION UNITS   | SCALE   | CURRENT REV DESC: MIGRATED TO NX  |
| ▽ = 0   | mm  | 4:1     | EC NO: 666196<br>DRWN: BBEGALIMADHU 2018/03/05<br>CHK'D: JKACHLIC 2021/06/21<br>APPR: JKACHLIC 2021/06/21 |
| ▽ = 0   | GENERAL TOLERANCES (UNLESS SPECIFIED)   |         |   |
| ▽ = 0   | ANGULAR TOL ± 0.5°  |         | INITIAL REVISION:<br>DRWN: KLANG 2005/04/15<br>APPR: RNELSON 2005/04/18                                   |
| ▽ = 0   | 4 PLACES  | ±       |   |
| ▽ = 0   | 3 PLACES  | ±       | DOCUMENT NUMBER<br><b>SD-75784-001</b>  |
| ▽ = 0   | 2 PLACES  | ± 0.13  |   |
| ▽ = 0   | 1 PLACE   | ± 0.25  | DOC TYPE  |
| ⊠ = 0   | 0 PLACES  | ±       | DOC PART  |
| ■ = 0   | DRAFT WHERE APPLICABLE MUST REMAIN WITHIN DIMENSIONS  |         | REVISION  |
| ▽ = 0   | THIRD ANGLE PROJECTION  | DRAWING | PSD 001 D5  |
|         | C-SIZE  | SERIES  | MATERIAL NUMBER   |
|         |   | 75784   | SEE CHART   |
|         |   |         | CUSTOMER  |
|         |   |         | GENERAL MARKET  |
|         |   |         | SHEET NUMBER  |
|         |   |         | 3 OF 13   |

**molex**

I-PASS VERT CONNECTOR  
INTERNAL ASSY W/SHELL 0.8MM PITCH I/O

PRODUCT CUSTOMER DRAWING

# KEYING OPTIONS



|                | UNIVERSAL SHELL | LEFT KEY SHELL | RIGHT KEY SHELL | DUAL KEY SHELL |
|----------------|-----------------|----------------|-----------------|----------------|
| NO KEY PLUG    | YES             | NO             | NO              | NO             |
| LEFT KEY PLUG  | YES             | YES            | NO              | NO             |
| RIGHT KEY PLUG | YES             | NO             | YES             | NO             |
| UNIVERSAL PLUG | YES             | YES            | YES             | YES            |

iPass™ IS A TRADEMARK OF MOLEX

|  |  |  |  |  |  |  |  |
|--|--|--|--|--|--|--|--|
| <b>SYMBOLS</b><br>▽ = 0<br>▽ = 0<br>▽ = 0<br>▽ = 0<br>▽ = 0<br>▽ = 0<br>▽ = 0<br>▽ = 0<br>▽ = 0<br>▽ = 0 |  | THIS DRAWING CONTAINS INFORMATION THAT IS PROPRIETARY TO MOLEX ELECTRONIC TECHNOLOGIES, LLC AND SHOULD NOT BE USED WITHOUT WRITTEN PERMISSION<br>DIMENSION UNITS: <b>mm</b><br>SCALE: <b>2:1</b><br>CURRENT REV DESC: MIGRATED TO NX<br>GENERAL TOLERANCES (UNLESS SPECIFIED)<br>ANGULAR TOL ± 0.5°<br>4 PLACES ±<br>3 PLACES ±<br>2 PLACES ± 0.13<br>1 PLACE ± 0.25<br>0 PLACES ±<br>DRAFT WHERE APPLICABLE MUST REMAIN WITHIN DIMENSIONS |  | EC NO: 666196<br>DRWN: BBEGALIMADHU 2018/03/05<br>CHK'D: JKACHLIC 2021/06/21<br>APPR: JKACHLIC 2021/06/21<br>INITIAL REVISION:<br>DRWN: KLANG 2005/04/15<br>APPR: RNELSON 2005/04/18 |  | <b>molex</b><br>I-PASS VERT CONNECTOR<br>INTERNAL ASSY W/SHELL 0.8MM PITCH I/O<br>PRODUCT CUSTOMER DRAWING |  |
| DOCUMENT NUMBER<br><b>SD-75784-001</b>   |  | DOC TYPE<br><b>PSD</b>   |  | DOC PART<br><b>001</b>   |  | REVISION<br><b>D5</b>  |  |
| MATERIAL NUMBER<br>SEE CHART   |  | CUSTOMER<br>GENERAL MARKET   |  | SHEET NUMBER<br>4 OF 13  |  |  |  |

# 26 CIRCUIT ITEM NUMBERS

| CIRCUIT SIZE | ITEM NUMBER | PLATING OPTION | SHELL PCB OPTION | SHELL KEY OPTION |
|--------------|-------------|----------------|------------------|------------------|
| 26           | 75784-0007  | OPTION 1       | RETENTION        | LEFT             |
| 26           | 75784-0008  | OPTION 1       | RETENTION        | RIGHT            |
| 26           | 75784-0012  | OPTION 1       | SMT              | DUAL             |
| 26           | 75784-0019  | OPTION 2       | RETENTION        | LEFT             |
| 26           | 75784-0020  | OPTION 2       | RETENTION        | RIGHT            |
| 26           | 75784-0021  | OPTION 2       | RETENTION        | DUAL             |
| 26           | 75784-0022  | OPTION 2       | SMT              | LEFT             |
| 26           | 75784-0023  | OPTION 2       | SMT              | RIGHT            |
| 26           | 75784-0024  | OPTION 2       | SMT              | DUAL             |
| 26           | 75784-0025  | OPTION 1       | RETENTION        | UNIVERSAL        |
| 26           | 75784-0026  | OPTION 1       | SMT              | UNIVERSAL        |
| 26           | 75784-0028  | OPTION 2       | SMT              | UNIVERSAL        |
| 26           | 75784-0029  | OPTION 1       | T/H 1.96         | LEFT             |
| 26           | 75784-0030  | OPTION 1       | T/H 1.96         | RIGHT            |
| 26           | 75784-0031  | OPTION 1       | T/H 1.96         | DUAL             |
| 26           | 75784-0032  | OPTION 1       | T/H 1.96         | UNIVERSAL        |
| 26           | 75784-0033  | OPTION 2       | T/H 1.96         | LEFT             |
| 26           | 75784-0034  | OPTION 2       | T/H 1.96         | RIGHT            |
| 26           | 75784-0035  | OPTION 2       | T/H 1.96         | DUAL             |

| CIRCUIT SIZE | ITEM NUMBER | PLATING OPTION | SHELL PCB OPTION | SHELL KEY OPTION |
|--------------|-------------|----------------|------------------|------------------|
| 26           | 75784-0037  | OPTION 1       | T/H 2.79         | LEFT             |
| 26           | 75784-0038  | OPTION 1       | T/H 2.79         | RIGHT            |
| 26           | 75784-0039  | OPTION 1       | T/H 2.79         | DUAL             |
| 26           | 75784-0040  | OPTION 1       | T/H 2.79         | UNIVERSAL        |
| 26           | 75784-0041  | OPTION 2       | T/H 2.79         | LEFT             |
| 26           | 75784-0042  | OPTION 2       | T/H 2.79         | RIGHT            |
| 26           | 75784-0043  | OPTION 2       | T/H 2.79         | DUAL             |
| 26           | 75784-0045  | OPTION 1       | T/H 3.18         | LEFT             |
| 26           | 75784-0046  | OPTION 1       | T/H 3.18         | RIGHT            |
| 26           | 75784-0047  | OPTION 1       | T/H 3.18         | DUAL             |
| 26           | 75784-0048  | OPTION 1       | T/H 3.18         | UNIVERSAL        |
| 26           | 75784-0049  | OPTION 2       | T/H 3.18         | LEFT             |
| 26           | 75784-0050  | OPTION 2       | T/H 3.18         | RIGHT            |
| 26           | 75784-0051  | OPTION 2       | T/H 3.18         | DUAL             |
| 26           | 75784-0052  | OPTION 2       | T/H 3.18         | UNIVERSAL        |

iPass™ IS A TRADEMARK OF MOLEX

|   |                                       |    |       |                           |                                  |        |                 |  |              |          |          |
|---|---------------------------------------|----|-------|---------------------------|----------------------------------|--------|-----------------|--|--------------|----------|----------|
| THIS DRAWING CONTAINS INFORMATION THAT IS PROPRIETARY TO MOLEX ELECTRONIC TECHNOLOGIES, LLC AND SHOULD NOT BE USED WITHOUT WRITTEN PERMISSION |                                       |    |       |                           |                                  |        |                 |  |              |          |          |
| <b>SYMBOLS</b><br>▽ = 0<br>▽ = 0<br>▽ = 0<br>▽ = 0<br>▽ = 0<br>▽ = 0<br>▽ = 0<br>▽ = 0<br>▽ = 0<br>▽ = 0<br>▽ = 0                             | DIMENSION UNITS                       | mm | SCALE | 1:1                       | CURRENT REV DESC: MIGRATED TO NX |        |                 | molex  |              |          |          |
|   | GENERAL TOLERANCES (UNLESS SPECIFIED) |    |       |                           | EC NO: 666196                    |        |                 | I-PASS VERT CONNECTOR<br>INTERNAL ASSY W/SHELL 0.8MM PITCH I/O |              |          |          |
|   | ANGULAR TOL ± 0.5°                    |    |       |                           | DRWN: BBEGALIMADHU 2018/03/05    |        |                 |  |              |          |          |
|   | 4 PLACES ±                            |    |       |                           | CHK'D: JKACHLIC 2021/06/21       |        |                 | PRODUCT CUSTOMER DRAWING                                       |              |          |          |
| 3 PLACES ±  |                                       |    |       | APPR: JKACHLIC 2021/06/21 |                                  |        |                 |  |              |          |          |
| 2 PLACES ± 0.13   |                                       |    |       | INITIAL REVISION:         |                                  |        | DOCUMENT NUMBER |  |              |          |          |
| 1 PLACE ± 0.25  |                                       |    |       | DRWN: KLANG 2005/04/15    |                                  |        | SD-75784-001    |  | DOC TYPE     | DOC PART | REVISION |
| 0 PLACES ±  |                                       |    |       | APPR: RNELSON 2005/04/18  |                                  |        | PSD 001 D5      |  |              |          |          |
| DRAFT WHERE APPLICABLE MUST REMAIN WITHIN DIMENSIONS  |                                       |    |       | THIRD ANGLE PROJECTION    | DRAWING                          | SERIES | MATERIAL NUMBER | CUSTOMER   | SHEET NUMBER |          |          |
|   |                                       |    |       |                           | C-SIZE                           | 75784  | SEE CHART       | GENERAL MARKET   | 5 OF 13      |          |          |

# 36 CIRCUIT ITEM NUMBERS

| CIRCUIT SIZE | ITEM NUMBER | PLATING OPTION | SHELL PCB OPTION | SHELL KEY OPTION |
|--------------|-------------|----------------|------------------|------------------|
| 36           | 75784-0107  | OPTION 1       | RETENTION        | LEFT             |
| 36           | 75784-0108  | OPTION 1       | RETENTION        | RIGHT            |
| 36           | 75784-0109  | OPTION 1       | RETENTION        | DUAL             |
| 36           | 75784-0110  | OPTION 1       | SMT              | LEFT             |
| 36           | 75784-0111  | OPTION 1       | SMT              | RIGHT            |
| 36           | 75784-0112  | OPTION 1       | SMT              | DUAL             |
| 36           | 75784-0119  | OPTION 2       | RETENTION        | LEFT             |
| 36           | 75784-0120  | OPTION 2       | RETENTION        | RIGHT            |
| 36           | 75784-0121  | OPTION 2       | RETENTION        | DUAL             |
| 36           | 75784-0125  | OPTION 1       | RETENTION        | UNIVERSAL        |
| 36           | 75784-0126  | OPTION 1       | SMT              | UNIVERSAL        |
| 36           | 75784-0127  | OPTION 2       | RETENTION        | UNIVERSAL        |
| 36           | 75784-0130  | OPTION 1       | T/H 1.96         | RIGHT            |
| 36           | 75784-0131  | OPTION 1       | T/H 1.96         | DUAL             |
| 36           | 75784-0132  | OPTION 1       | T/H 1.96         | UNIVERSAL        |
| 36           | 75784-0135  | OPTION 2       | T/H 1.96         | DUAL             |
| 36           | 75784-0136  | OPTION 2       | T/H 1.96         | UNIVERSAL        |

| CIRCUIT SIZE | ITEM NUMBER | PLATING OPTION | SHELL PCB OPTION | SHELL KEY OPTION |
|--------------|-------------|----------------|------------------|------------------|
| 36           | 75784-0137  | OPTION 1       | T/H 2.79         | LEFT             |
| 36           | 75784-0138  | OPTION 1       | T/H 2.79         | RIGHT            |
| 36           | 75784-0139  | OPTION 1       | T/H 2.79         | DUAL             |
| 36           | 75784-0140  | OPTION 1       | T/H 2.79         | UNIVERSAL        |
| 36           | 75784-0141  | OPTION 2       | T/H 2.79         | LEFT             |
| 36           | 75784-0142  | OPTION 2       | T/H 2.79         | RIGHT            |
| 36           | 75784-0143  | OPTION 2       | T/H 2.79         | DUAL             |
| 36           | 75784-0144  | OPTION 2       | T/H 2.79         | UNIVERSAL        |
| 36           | 75784-0145  | OPTION 1       | T/H 3.18         | LEFT             |
| 36           | 75784-0146  | OPTION 1       | T/H 3.18         | RIGHT            |
| 36           | 75784-0147  | OPTION 1       | T/H 3.18         | DUAL             |
| 36           | 75784-0148  | OPTION 1       | T/H 3.18         | UNIVERSAL        |
| 36           | 75784-0149  | OPTION 2       | T/H 3.18         | LEFT             |
| 36           | 75784-0150  | OPTION 2       | T/H 3.18         | RIGHT            |
| 36           | 75784-0151  | OPTION 2       | T/H 3.18         | DUAL             |
| 36           | 75784-0152  | OPTION 2       | T/H 3.18         | UNIVERSAL        |
| 36           | 75784-0153  | OPTION 1       | T/H 3.56         | LEFT             |
| 36           | 75784-0154  | OPTION 1       | T/H 3.56         | RIGHT            |
| 36           | 75784-0155  | OPTION 1       | T/H 3.56         | DUAL             |
| 36           | 75784-0156  | OPTION 1       | T/H 3.56         | UNIVERSAL        |
| 36           | 75784-0157  | OPTION 2       | T/H 3.56         | LEFT             |
| 36           | 75784-0158  | OPTION 2       | T/H 3.56         | RIGHT            |
| 36           | 75784-0159  | OPTION 2       | T/H 3.56         | DUAL             |
| 36           | 75784-0160  | OPTION 2       | T/H 3.56         | UNIVERSAL        |

iPass™ IS A TRADEMARK OF MOLEX

|   |                    |       |                                       |                            |  |                          |                               |  |   |  |  |  |  |
|---|--------------------|-------|---------------------------------------|----------------------------|--|--------------------------|-------------------------------|--|---|--|--|--|--|
| THIS DRAWING CONTAINS INFORMATION THAT IS PROPRIETARY TO MOLEX ELECTRONIC TECHNOLOGIES, LLC AND SHOULD NOT BE USED WITHOUT WRITTEN PERMISSION |                    |       |                                       |                            |  |                          |                               |  |   |  |  |  |  |
| <b>SYMBOLS</b><br>▽ = 0<br>▽ = 0<br>▽ = 0<br>▽ = 0<br>▽ = 0<br>▽ = 0<br>▽ = 0<br>▽ = 0<br>▽ = 0   | DIMENSION UNITS    | SCALE | CURRENT REV DESC: MIGRATED TO NX      |                            |  |                          |                               |  |   |  |  |  |  |
|   | mm                 | 1:1   | GENERAL TOLERANCES (UNLESS SPECIFIED) |                            |  |                          |                               |  |   |  |  |  |  |
|   | ANGULAR TOL ± 0.5° |       |                                       | EC NO: 666196              |  |                          | DRWN: BBEGALIMADHU 2018/03/05 |  |   | I-PASS VERT CONNECTOR<br>INTERNAL ASSY W/SHELL 0.8MM PITCH I/O |  |  |  |
|   | 4 PLACES ±         |       |                                       | CHK'D: JKACHLIC 2021/06/21 |  |                          | APPR: JKACHLIC 2021/06/21     |  |   |  |  |  |  |
|   | 3 PLACES ±         |       |                                       | INITIAL REVISION:          |  |                          | DRWN: KLANG 2005/04/15        |  |   | PRODUCT CUSTOMER DRAWING                                       |  |  |  |
| 2 PLACES ± 0.13   |                    |       | 1 PLACE ± 0.25                        |                            |  | APPR: RNELSON 2005/04/18 |                               |  | DOCUMENT NUMBER                           |  |  |  |  |
| 1 PLACE ±   |                    |       | 0 PLACES ±                            |                            |  | THIRD ANGLE PROJECTION   |                               |  | DOC TYPE   DOC PART   REVISION            |  |  |  |  |
| DRAFT WHERE APPLICABLE MUST REMAIN WITHIN DIMENSIONS  |                    |       |                                       |                            |  | DRAWING SERIES           |                               |  | MATERIAL NUMBER   CUSTOMER   SHEET NUMBER |  |  |  |  |
| C-SIZE 75784  |                    |       | SEE CHART                             |                            |  | GENERAL MARKET           |                               |  | SD-75784-001 PSD 001 D5 6 OF 13           |  |  |  |  |

# 50 CIRCUIT ITEM NUMBERS

| CIRCUIT SIZE | ITEM NUMBER | PLATING OPTION | SHELL PCB OPTION | SHELL KEY OPTION |
|--------------|-------------|----------------|------------------|------------------|
| 50           | 75784-0207  | OPTION 1       | RETENTION        | LEFT             |
| 50           | 75784-0209  | OPTION 1       | RETENTION        | DUAL             |
| 50           | 75784-0210  | OPTION 1       | SMT              | LEFT             |
| 50           | 75784-0211  | OPTION 1       | SMT              | RIGHT            |
| 50           | 75784-0219  | OPTION 2       | RETENTION        | LEFT             |
| 50           | 75784-0220  | OPTION 2       | RETENTION        | RIGHT            |
| 50           | 75784-0221  | OPTION 2       | RETENTION        | DUAL             |
| 50           | 75784-0222  | OPTION 2       | SMT              | LEFT             |
| 50           | 75784-0223  | OPTION 2       | SMT              | RIGHT            |
| 50           | 75784-0224  | OPTION 2       | SMT              | DUAL             |
| 50           | 75784-0227  | OPTION 2       | RETENTION        | UNIVERSAL        |
| 50           | 75784-0228  | OPTION 2       | SMT              | UNIVERSAL        |
| 50           | 75784-0229  | OPTION 1       | T/H 1.96         | LEFT             |
| 50           | 75784-0230  | OPTION 1       | T/H 1.96         | RIGHT            |
| 50           | 75784-0231  | OPTION 1       | T/H 1.96         | DUAL             |
| 50           | 75784-0232  | OPTION 1       | T/H 1.96         | UNIVERSAL        |
| 50           | 75784-0233  | OPTION 2       | T/H 1.96         | LEFT             |
| 50           | 75784-0234  | OPTION 2       | T/H 1.96         | RIGHT            |
| 50           | 75784-0235  | OPTION 2       | T/H 1.96         | DUAL             |
| 50           | 75784-0236  | OPTION 2       | T/H 1.96         | UNIVERSAL        |

| CIRCUIT SIZE | ITEM NUMBER | PLATING OPTION | SHELL PCB OPTION | SHELL KEY OPTION |
|--------------|-------------|----------------|------------------|------------------|
| 50           | 75784-0237  | OPTION 1       | T/H 2.79         | LEFT             |
| 50           | 75784-0238  | OPTION 1       | T/H 2.79         | RIGHT            |
| 50           | 75784-0239  | OPTION 1       | T/H 2.79         | DUAL             |
| 50           | 75784-0240  | OPTION 1       | T/H 2.79         | UNIVERSAL        |
| 50           | 75784-0241  | OPTION 2       | T/H 2.79         | LEFT             |
| 50           | 75784-0242  | OPTION 2       | T/H 2.79         | RIGHT            |
| 50           | 75784-0243  | OPTION 2       | T/H 2.79         | DUAL             |
| 50           | 75784-0244  | OPTION 2       | T/H 2.79         | UNIVERSAL        |
| 50           | 75784-0246  | OPTION 1       | T/H 3.18         | RIGHT            |
| 50           | 75784-0247  | OPTION 1       | T/H 3.18         | DUAL             |
| 50           | 75784-0248  | OPTION 1       | T/H 3.18         | UNIVERSAL        |
| 50           | 75784-0249  | OPTION 2       | T/H 3.18         | LEFT             |
| 50           | 75784-0250  | OPTION 2       | T/H 3.18         | RIGHT            |
| 50           | 75784-0251  | OPTION 2       | T/H 3.18         | DUAL             |
| 50           | 75784-0252  | OPTION 2       | T/H 3.18         | UNIVERSAL        |

iPass™ IS A TRADEMARK OF MOLEX

|  |   |   |  |   |  |                        |                        |                       |
|--|---|---|--|---|--|------------------------|------------------------|-----------------------|
| <b>SYMBOLS</b><br>▽ = 0<br>▽ = 0<br>▽ = 0<br>▽ = 0<br>▽ = 0<br>▽ = 0<br>▽ = 0<br>▽ = 0<br>▽ = 0<br>▽ = 0 | THIS DRAWING CONTAINS INFORMATION THAT IS PROPRIETARY TO MOLEX ELECTRONIC TECHNOLOGIES, LLC AND SHOULD NOT BE USED WITHOUT WRITTEN PERMISSION | DIMENSION UNITS<br><b>mm</b>  | SCALE<br><b>1:1</b>  | CURRENT REV DESC: MIGRATED TO NX<br><br>EC NO: 666196<br>DRWN: BBEGALIMADHU 2018/03/05<br>CHK'D: JKACHLIC 2021/06/21<br>APPR: JKACHLIC 2021/06/21 | <b>molex</b>                           |                        |                        |                       |
|  | GENERAL TOLERANCES (UNLESS SPECIFIED)<br>ANGULAR TOL ± 0.5°<br>4 PLACES ±<br>3 PLACES ±<br>2 PLACES ± 0.13<br>1 PLACE ± 0.25<br>0 PLACES ±    | INITIAL REVISION:<br>DRWN: KLANG 2005/04/15<br>APPR: RNELSON 2005/04/18 | I-PASS VERT CONNECTOR<br>INTERNAL ASSY W/SHELL 0.8MM PITCH I/O |   |  |                        |                        |                       |
|  | DRAFT WHERE APPLICABLE MUST REMAIN WITHIN DIMENSIONS  | THIRD ANGLE PROJECTION<br>  | DRAWING<br><b>C-SIZE</b>                                       | SERIES<br><b>75784</b>  | PRODUCT CUSTOMER DRAWING               |                        |                        |                       |
|  |   |   | MATERIAL NUMBER<br>SEE CHART                                   | CUSTOMER<br>GENERAL MARKET  | DOCUMENT NUMBER<br><b>SD-75784-001</b> | DOC TYPE<br><b>PSD</b> | DOC PART<br><b>001</b> | REVISION<br><b>D5</b> |

# 68 CIRCUIT ITEM NUMBERS

| CIRCUIT SIZE | ITEM NUMBER | PLATING OPTION | SHELL PCB OPTION | SHELL KEY OPTION |
|--------------|-------------|----------------|------------------|------------------|
| 68           | 75784-0309  | OPTION 1       | RETENTION        | DUAL             |
| 68           | 75784-0310  | OPTION 1       | SMT              | LEFT             |
| 68           | 75784-0311  | OPTION 1       | SMT              | RIGHT            |
| 68           | 75784-0312  | OPTION 1       | SMT              | DUAL             |
| 68           | 75784-0319  | OPTION 2       | RETENTION        | LEFT             |
| 68           | 75784-0321  | OPTION 2       | RETENTION        | DUAL             |
| 68           | 75784-0322  | OPTION 2       | SMT              | LEFT             |
| 68           | 75784-0323  | OPTION 2       | SMT              | RIGHT            |
| 68           | 75784-0325  | OPTION 1       | RETENTION        | UNIVERSAL        |
| 68           | 75784-0331  | OPTION 1       | T/H 1.96         | DUAL             |
| 68           | 75784-0332  | OPTION 1       | T/H 1.96         | UNIVERSAL        |
| 68           | 75784-0335  | OPTION 2       | T/H 1.96         | DUAL             |
| 68           | 75784-0336  | OPTION 2       | T/H 1.96         | UNIVERSAL        |

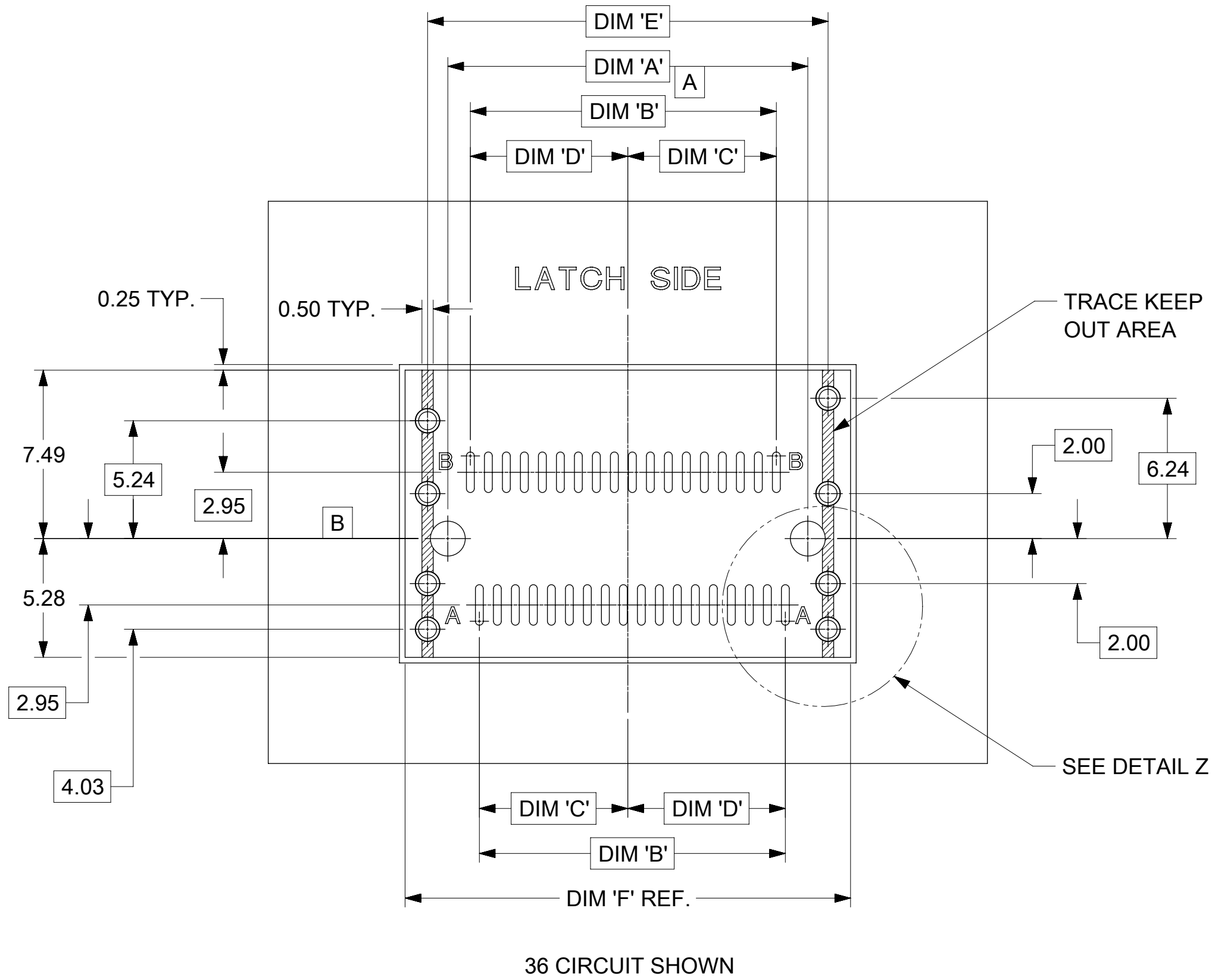
| CIRCUIT SIZE | ITEM NUMBER | PLATING OPTION | SHELL PCB OPTION | SHELL KEY OPTION |
|--------------|-------------|----------------|------------------|------------------|
| 68           | 75784-0338  | OPTION 1       | T/H 2.79         | RIGHT            |
| 68           | 75784-0339  | OPTION 1       | T/H 2.79         | DUAL             |
| 68           | 75784-0340  | OPTION 1       | T/H 2.79         | UNIVERSAL        |
| 68           | 75784-0341  | OPTION 2       | T/H 2.79         | LEFT             |
| 68           | 75784-0342  | OPTION 2       | T/H 2.79         | RIGHT            |
| 68           | 75784-0343  | OPTION 2       | T/H 2.79         | DUAL             |
| 68           | 75784-0344  | OPTION 2       | T/H 2.79         | UNIVERSAL        |
| 68           | 75784-0345  | OPTION 1       | T/H 3.18         | LEFT             |
| 68           | 75784-0346  | OPTION 1       | T/H 3.18         | RIGHT            |
| 68           | 75784-0347  | OPTION 1       | T/H 3.18         | DUAL             |
| 68           | 75784-0348  | OPTION 1       | T/H 3.18         | UNIVERSAL        |
| 68           | 75784-0349  | OPTION 2       | T/H 3.18         | LEFT             |
| 68           | 75784-0350  | OPTION 2       | T/H 3.18         | RIGHT            |
| 68           | 75784-0352  | OPTION 2       | T/H 3.18         | UNIVERSAL        |

iPass™ IS A TRADEMARK OF MOLEX

|   |                    |       |  |                            |  |                        |                               |         |  |                 |                |              |          |              |
|---|--------------------|-------|--|----------------------------|--|------------------------|-------------------------------|---------|--|-----------------|----------------|--------------|----------|--------------|
| THIS DRAWING CONTAINS INFORMATION THAT IS PROPRIETARY TO MOLEX ELECTRONIC TECHNOLOGIES, LLC AND SHOULD NOT BE USED WITHOUT WRITTEN PERMISSION |                    |       |  |                            |  |                        |                               |         |  |                 |                |              |          |              |
| <b>SYMBOLS</b><br>▽ = 0<br>▽ = 0<br>▽ = 0<br>▽ = 0<br>▽ = 0<br>▽ = 0<br>▽ = 0<br>▽ = 0<br>▽ = 0<br>▽ = 0                                      | DIMENSION UNITS    | SCALE | CURRENT REV DESC: MIGRATED TO NX                     |                            |  |                        |                               |         | <p style="margin: 0;">I-PASS VERT CONNECTOR<br/>INTERNAL ASSY W/SHELL 0.8MM PITCH I/O</p> <p style="margin: 0;">PRODUCT CUSTOMER DRAWING</p> |                 |                |              |          |              |
|   | mm                 | 1:1   | GENERAL TOLERANCES (UNLESS SPECIFIED)                |                            |  |                        |                               |         |  |                 |                |              |          |              |
|   | ANGULAR TOL ± 0.5° |       |  | EC NO: 666196              |  |                        | DRWN: BBEGALIMADHU 2018/03/05 |         |  | DOCUMENT NUMBER |                | DOC TYPE     | DOC PART | REVISION     |
|   | 4 PLACES ±         |       |  | CHK'D: JKACHLIC 2021/06/21 |  |                        | APPR: JKACHLIC 2021/06/21     |         |  | SD-75784-001    |                | PSD          | 001      | D5           |
|   | 3 PLACES ±         |       |  | INITIAL REVISION:          |  |                        | DRWN: KLANG 2005/04/15        |         |  | MATERIAL NUMBER |                | CUSTOMER     |          | SHEET NUMBER |
| 2 PLACES ± 0.13   |                    |       | APPR: RNELSON 2005/04/18                             |                            |  | C-SIZE 75784           |                               |         | SEE CHART  |                 | GENERAL MARKET |              | 8 OF 13  |              |
| 1 PLACE ± 0.25  |                    |       | DRAFT WHERE APPLICABLE MUST REMAIN WITHIN DIMENSIONS |                            |  | THIRD ANGLE PROJECTION |                               | DRAWING |  | SERIES          |                | SHEET NUMBER |          |              |
| 0 PLACES ±  |                    |       | DRAFT WHERE APPLICABLE MUST REMAIN WITHIN DIMENSIONS |                            |  |                        |                               | C-SIZE  |  | 75784           |                | 8 OF 13      |          |              |



# VERTICAL CONNECTOR WITH RETENTION FIT & THRU-HOLE SHELL PCB FOOT PRINT



|              | PEG TO PEG | FIRST TO LAST PAD | CENTERLINE TO PAD | CENTERLINE TO PAD | SHELL PEG TO PEG | SHELL FOOTPRINT WIDTH |
|--------------|------------|-------------------|-------------------|-------------------|------------------|-----------------------|
| CIRCUIT SIZE | DIM 'A'    | DIM 'B'           | DIM 'C'           | DIM 'D'           | DIM 'E'          | DIM 'F'               |
| 26           | 12.00      | 9.60              | 4.60              | 5.00              | 13.80            | 15.80                 |
| 36           | 16.00      | 13.60             | 6.60              | 7.00              | 17.80            | 19.80                 |
| 50           | 21.60      | 19.20             | 9.40              | 9.80              | 23.40            | 25.40                 |
| 68           | 28.80      | 26.40             | 13.00             | 13.40             | 30.60            | 32.60                 |

iPass™ IS A TRADEMARK OF MOLEX

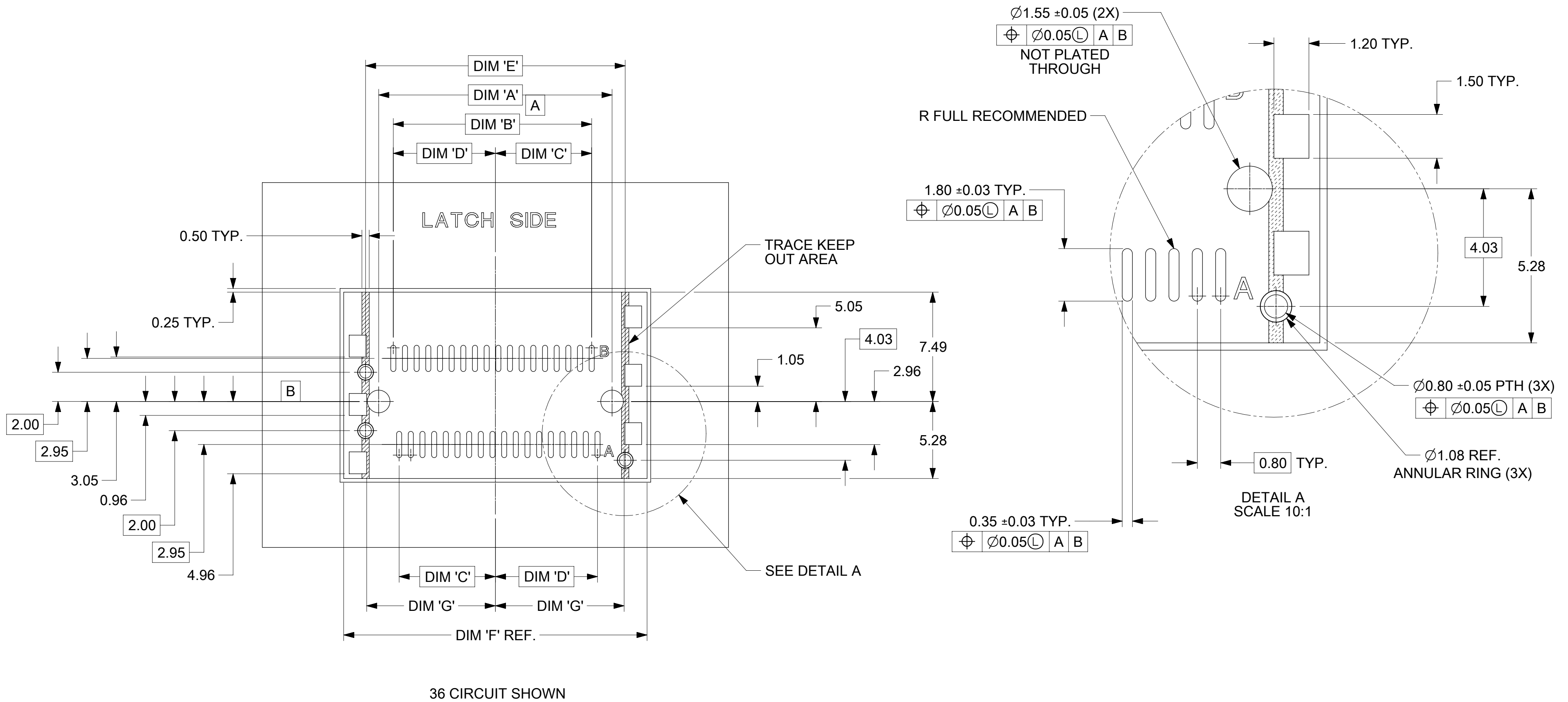
|         |     |   |        |                                  |                |
|---------|-----|---|--------|----------------------------------|----------------|
| SYMBOLS |     | THIS DRAWING CONTAINS INFORMATION THAT IS PROPRIETARY TO MOLEX ELECTRONIC TECHNOLOGIES, LLC AND SHOULD NOT BE USED WITHOUT WRITTEN PERMISSION |        | CURRENT REV DESC: MIGRATED TO NX |                |
|         | = 0 | DIMENSION UNITS   | SCALE  |                                  |                |
|         | = 0 | mm  | 5:1    |                                  |                |
|         | = 0 | GENERAL TOLERANCES (UNLESS SPECIFIED)   |        |                                  |                |
|         | = 0 | ANGULAR TOL   | ± 0.5° |                                  |                |
|         | = 0 | 4 PLACES  | ±      |                                  |                |
|         | = 0 | 3 PLACES  | ±      |                                  |                |
|         | = 0 | 2 PLACES  | ± 0.13 |                                  |                |
|         | = 0 | 1 PLACE   | ± 0.25 |                                  |                |
|         | = 0 | 0 PLACES  | ±      |                                  |                |
|         | = 0 | DRAFT WHERE APPLICABLE MUST REMAIN WITHIN DIMENSIONS  |        | THIRD ANGLE PROJECTION           | DRAWING        |
|         | = 0 |   |        |                                  | C-SIZE         |
|         |     |   |        | SERIES                           | 75784          |
|         |     |   |        | MATERIAL NUMBER                  | SEE CHART      |
|         |     |   |        | CUSTOMER                         | GENERAL MARKET |
|         |     |   |        | SHEET NUMBER                     | 9 OF 13        |
|         |     |   |        | DOCUMENT NUMBER                  | SD-75784-001   |
|         |     |   |        | DOC TYPE                         | PSD            |
|         |     |   |        | DOC PART                         | 001            |
|         |     |   |        | REVISION                         | D5             |

## molex

I-PASS VERT CONNECTOR  
INTERNAL ASSY W/SHELL 0.8MM PITCH I/O

PRODUCT CUSTOMER DRAWING

# VERTICAL CONNECTOR WITH SMT SHELL PCB FOOT PRINT



|              | PEG TO PEG | FIRST TO LAST PAD | CENTERLINE TO PAD | CENTERLINE TO PAD | SHELL PEG TO PEG | SHELL FOOTPRINT WIDTH | CENTERLINE TO PAD EDGE |
|--------------|------------|-------------------|-------------------|-------------------|------------------|-----------------------|------------------------|
| CIRCUIT SIZE | DIM 'A'    | DIM 'B'           | DIM 'C'           | DIM 'D'           | DIM 'E'          | DIM 'F'               | DIM 'G'                |
| 26           | 12.00      | 9.60              | 4.60              | 5.00              | 13.80            | 16.80                 | 6.825                  |
| 36           | 16.00      | 13.60             | 6.60              | 7.00              | 17.80            | 20.80                 | 8.825                  |
| 50           | 21.60      | 19.20             | 9.40              | 9.80              | 23.40            | 26.40                 | 11.625                 |
| 68           | 28.80      | 26.40             | 13.00             | 13.40             | 30.60            | 33.60                 | 15.225                 |

THIS DRAWING CONTAINS INFORMATION THAT IS PROPRIETARY TO MOLEX ELECTRONIC TECHNOLOGIES, LLC AND SHOULD NOT BE USED WITHOUT WRITTEN PERMISSION

**SYMBOLS**

|       |  |        |                    |                      |
|-------|--|--------|--------------------|----------------------|
| ▽ = 0 | DIMENSION UNITS                                      | SCALE  | CURRENT REV        | DESC: MIGRATED TO NX |
| ▽ = 0 | mm   | 5:1    |                    |                      |
| ▽ = 0 | GENERAL TOLERANCES (UNLESS SPECIFIED)                |        |                    |                      |
| ▽ = 0 | ANGULAR TOL ± 0.5°                                   |        |                    |                      |
| ▽ = 0 | 4 PLACES   | ±      | EC NO: 666196      |                      |
| ▽ = 0 | 3 PLACES   | ±      | DRWN: BBEGALIMADHU | 2018/03/05           |
| ▽ = 0 | 2 PLACES   | ± 0.13 | CHK'D: JKACHLIC    | 2021/06/21           |
| ▽ = 0 | 1 PLACE  | ± 0.25 | APPR: JKACHLIC     | 2021/06/21           |
| ▽ = 0 | 0 PLACES   | ±      | INITIAL REVISION:  |                      |
| ▽ = 0 | DRAFT WHERE APPLICABLE MUST REMAIN WITHIN DIMENSIONS |        |                    |                      |

|                        |            |                 |                 |                |              |          |
|------------------------|------------|-----------------|-----------------|----------------|--------------|----------|
| DRWN: KLANG            | 2005/04/15 | DOCUMENT NUMBER |                 | DOC TYPE       | DOC PART     | REVISION |
| APPR: RNELSON          | 2005/04/18 | SD-75784-001    |                 | PSD            | 001          | D5       |
| THIRD ANGLE PROJECTION | DRAWING    | SERIES          | MATERIAL NUMBER | CUSTOMER       | SHEET NUMBER |          |
|                        | C-SIZE     | 75784           | SEE CHART       | GENERAL MARKET | 10 OF 13     |          |

**iPass™ IS A TRADEMARK OF MOLEX**

**molex**

I-PASS VERT CONNECTOR  
INTERNAL ASSY W/SHELL 0.8MM PITCH I/O

PRODUCT CUSTOMER DRAWING

# VERTICAL CONNECTOR WITH SHELL PCB FOOT PRINT DESCRIPTIONS

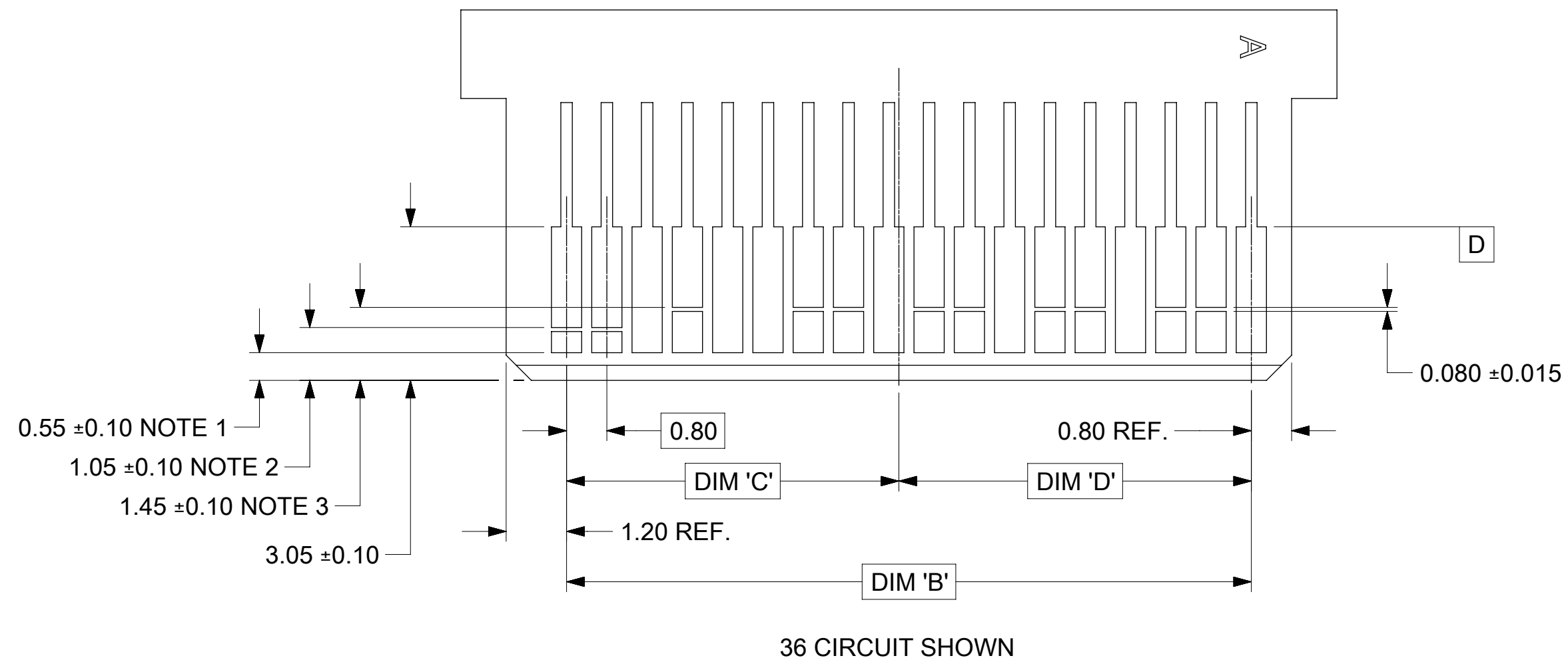
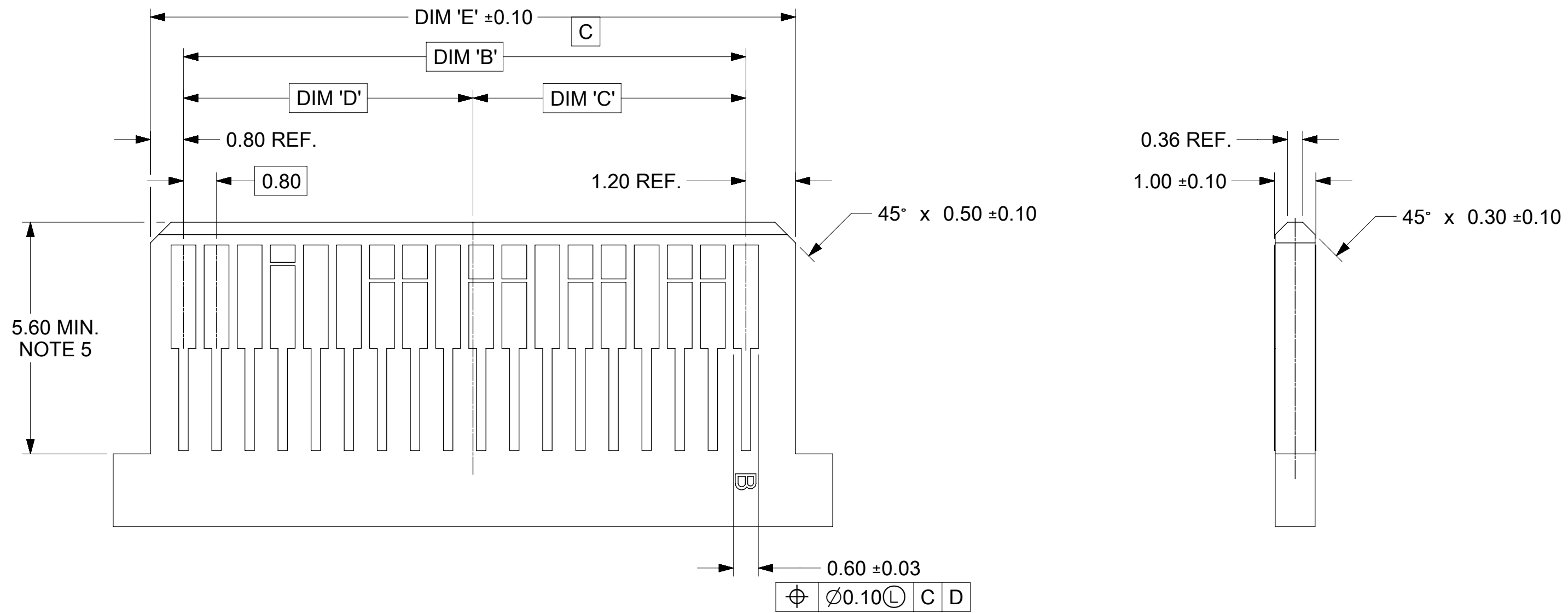


36 CIRCUIT SHOWN

iPass™ IS A TRADEMARK OF MOLEX

| THIS DRAWING CONTAINS INFORMATION THAT IS PROPRIETARY TO MOLEX ELECTRONIC TECHNOLOGIES, LLC AND SHOULD NOT BE USED WITHOUT WRITTEN PERMISSION |                                       |   |  |                 |  |                |                 |                 |          |                |              |   |  |  |  |  |                    |  |            |                 |  |            |                |  |            |                          |  |  |  |                 |  |          |          |          |                   |  |  |  |              |  |     |     |    |  |  |             |  |            |  |           |  |                |  |              |  |          |               |  |            |  |                 |  |          |  |              |  |          |  |  |                        |  |         |  |        |  |                 |  |          |              |  |  |  |  |        |  |       |  |           |  |                |  |
|---|---------------------------------------|---|--|-----------------|--|----------------|-----------------|-----------------|----------|----------------|--------------|---|--|--|--|--|--------------------|--|------------|-----------------|--|------------|----------------|--|------------|--------------------------|--|--|--|-----------------|--|----------|----------|----------|-------------------|--|--|--|--------------|--|-----|-----|----|--|--|-------------|--|------------|--|-----------|--|----------------|--|--------------|--|----------|---------------|--|------------|--|-----------------|--|----------|--|--------------|--|----------|--|--|------------------------|--|---------|--|--------|--|-----------------|--|----------|--------------|--|--|--|--|--------|--|-------|--|-----------|--|----------------|--|
| SYMBOLS   | DIMENSION UNITS                       | SCALE   | CURRENT REV DESC: MIGRATED TO NX   |                 |  |                |                 |                 |          |                |              |   |  |  |  |  |                    |  |            |                 |  |            |                |  |            |                          |  |  |  |                 |  |          |          |          |                   |  |  |  |              |  |     |     |    |  |  |             |  |            |  |           |  |                |  |              |  |          |               |  |            |  |                 |  |          |  |              |  |          |  |  |                        |  |         |  |        |  |                 |  |          |              |  |  |  |  |        |  |       |  |           |  |                |  |
| ▽ = 0   | mm                                    | 5:1   | <table border="0" style="width: 100%;"> <tr> <td colspan="2">EC NO: 666196</td> <td colspan="5" rowspan="3" style="text-align: center; vertical-align: middle;"> <div style="font-size: 2em; font-weight: bold; margin-bottom: 10px;">molex</div>                     I-PASS VERT CONNECTOR<br/>INTERNAL ASSY W/SHELL 0.8MM PITCH I/O                 </td> </tr> <tr> <td colspan="2">DRWN: BBEGALIMADHU</td> <td>2018/03/05</td> </tr> <tr> <td colspan="2">CHK'D: JKACHLIC</td> <td>2021/06/21</td> </tr> <tr> <td colspan="2">APPR: JKACHLIC</td> <td>2021/06/21</td> <td colspan="4" style="text-align: center;">PRODUCT CUSTOMER DRAWING</td> <td colspan="2" style="text-align: center;">DOCUMENT NUMBER</td> <td style="text-align: center;">DOC TYPE</td> <td style="text-align: center;">DOC PART</td> <td style="text-align: center;">REVISION</td> </tr> <tr> <td colspan="2">INITIAL REVISION:</td> <td colspan="2"></td> <td colspan="2" style="text-align: center;">SD-75784-001</td> <td style="text-align: center;">PSD</td> <td style="text-align: center;">001</td> <td style="text-align: center;">D5</td> <td colspan="2"></td> </tr> <tr> <td colspan="2">DRWN: KLANG</td> <td colspan="2">2005/04/15</td> <td colspan="2" style="text-align: center;">SEE CHART</td> <td colspan="2" style="text-align: center;">GENERAL MARKET</td> <td colspan="2" style="text-align: center;">SHEET NUMBER</td> <td style="text-align: center;">11 OF 13</td> </tr> <tr> <td colspan="2">APPR: RNELSON</td> <td colspan="2">2005/04/18</td> <td colspan="2" style="text-align: center;">MATERIAL NUMBER</td> <td colspan="2" style="text-align: center;">CUSTOMER</td> <td colspan="2" style="text-align: center;">SHEET NUMBER</td> <td style="text-align: center;">11 OF 13</td> </tr> <tr> <td colspan="2">DRAFT WHERE APPLICABLE<br/>MUST REMAIN<br/>WITHIN DIMENSIONS</td> <td colspan="2">THIRD ANGLE PROJECTION</td> <td colspan="2" style="text-align: center;">DRAWING</td> <td colspan="2" style="text-align: center;">SERIES</td> <td colspan="2" style="text-align: center;">MATERIAL NUMBER</td> <td style="text-align: center;">CUSTOMER</td> <td style="text-align: center;">SHEET NUMBER</td> </tr> <tr> <td colspan="2"></td> <td colspan="2" style="text-align: center;"> </td> <td colspan="2" style="text-align: center;">C-SIZE</td> <td colspan="2" style="text-align: center;">75784</td> <td colspan="2" style="text-align: center;">SEE CHART</td> <td colspan="2" style="text-align: center;">GENERAL MARKET</td> </tr> </table> |                 |  |                |                 |                 |          | EC NO: 666196  |              | <div style="font-size: 2em; font-weight: bold; margin-bottom: 10px;">molex</div> I-PASS VERT CONNECTOR<br>INTERNAL ASSY W/SHELL 0.8MM PITCH I/O |  |  |  |  | DRWN: BBEGALIMADHU |  | 2018/03/05 | CHK'D: JKACHLIC |  | 2021/06/21 | APPR: JKACHLIC |  | 2021/06/21 | PRODUCT CUSTOMER DRAWING |  |  |  | DOCUMENT NUMBER |  | DOC TYPE | DOC PART | REVISION | INITIAL REVISION: |  |  |  | SD-75784-001 |  | PSD | 001 | D5 |  |  | DRWN: KLANG |  | 2005/04/15 |  | SEE CHART |  | GENERAL MARKET |  | SHEET NUMBER |  | 11 OF 13 | APPR: RNELSON |  | 2005/04/18 |  | MATERIAL NUMBER |  | CUSTOMER |  | SHEET NUMBER |  | 11 OF 13 | DRAFT WHERE APPLICABLE<br>MUST REMAIN<br>WITHIN DIMENSIONS |  | THIRD ANGLE PROJECTION |  | DRAWING |  | SERIES |  | MATERIAL NUMBER |  | CUSTOMER | SHEET NUMBER |  |  |  |  | C-SIZE |  | 75784 |  | SEE CHART |  | GENERAL MARKET |  |
| EC NO: 666196   |                                       | <div style="font-size: 2em; font-weight: bold; margin-bottom: 10px;">molex</div> I-PASS VERT CONNECTOR<br>INTERNAL ASSY W/SHELL 0.8MM PITCH I/O |  |                 |  |                |                 |                 |          |                |              |   |  |  |  |  |                    |  |            |                 |  |            |                |  |            |                          |  |  |  |                 |  |          |          |          |                   |  |  |  |              |  |     |     |    |  |  |             |  |            |  |           |  |                |  |              |  |          |               |  |            |  |                 |  |          |  |              |  |          |  |  |                        |  |         |  |        |  |                 |  |          |              |  |  |  |  |        |  |       |  |           |  |                |  |
| DRWN: BBEGALIMADHU  |                                       |   |  |                 |  |                |                 |                 |          | 2018/03/05     |              |   |  |  |  |  |                    |  |            |                 |  |            |                |  |            |                          |  |  |  |                 |  |          |          |          |                   |  |  |  |              |  |     |     |    |  |  |             |  |            |  |           |  |                |  |              |  |          |               |  |            |  |                 |  |          |  |              |  |          |  |  |                        |  |         |  |        |  |                 |  |          |              |  |  |  |  |        |  |       |  |           |  |                |  |
| CHK'D: JKACHLIC   |                                       |   |  |                 |  |                |                 |                 |          | 2021/06/21     |              |   |  |  |  |  |                    |  |            |                 |  |            |                |  |            |                          |  |  |  |                 |  |          |          |          |                   |  |  |  |              |  |     |     |    |  |  |             |  |            |  |           |  |                |  |              |  |          |               |  |            |  |                 |  |          |  |              |  |          |  |  |                        |  |         |  |        |  |                 |  |          |              |  |  |  |  |        |  |       |  |           |  |                |  |
| APPR: JKACHLIC  |                                       | 2021/06/21  | PRODUCT CUSTOMER DRAWING   |                 |  |                | DOCUMENT NUMBER |                 | DOC TYPE | DOC PART       | REVISION     |   |  |  |  |  |                    |  |            |                 |  |            |                |  |            |                          |  |  |  |                 |  |          |          |          |                   |  |  |  |              |  |     |     |    |  |  |             |  |            |  |           |  |                |  |              |  |          |               |  |            |  |                 |  |          |  |              |  |          |  |  |                        |  |         |  |        |  |                 |  |          |              |  |  |  |  |        |  |       |  |           |  |                |  |
| INITIAL REVISION:   |                                       |   |  | SD-75784-001    |  | PSD            | 001             | D5              |          |                |              |   |  |  |  |  |                    |  |            |                 |  |            |                |  |            |                          |  |  |  |                 |  |          |          |          |                   |  |  |  |              |  |     |     |    |  |  |             |  |            |  |           |  |                |  |              |  |          |               |  |            |  |                 |  |          |  |              |  |          |  |  |                        |  |         |  |        |  |                 |  |          |              |  |  |  |  |        |  |       |  |           |  |                |  |
| DRWN: KLANG   |                                       | 2005/04/15  |  | SEE CHART       |  | GENERAL MARKET |                 | SHEET NUMBER    |          | 11 OF 13       |              |   |  |  |  |  |                    |  |            |                 |  |            |                |  |            |                          |  |  |  |                 |  |          |          |          |                   |  |  |  |              |  |     |     |    |  |  |             |  |            |  |           |  |                |  |              |  |          |               |  |            |  |                 |  |          |  |              |  |          |  |  |                        |  |         |  |        |  |                 |  |          |              |  |  |  |  |        |  |       |  |           |  |                |  |
| APPR: RNELSON   |                                       | 2005/04/18  |  | MATERIAL NUMBER |  | CUSTOMER       |                 | SHEET NUMBER    |          | 11 OF 13       |              |   |  |  |  |  |                    |  |            |                 |  |            |                |  |            |                          |  |  |  |                 |  |          |          |          |                   |  |  |  |              |  |     |     |    |  |  |             |  |            |  |           |  |                |  |              |  |          |               |  |            |  |                 |  |          |  |              |  |          |  |  |                        |  |         |  |        |  |                 |  |          |              |  |  |  |  |        |  |       |  |           |  |                |  |
| DRAFT WHERE APPLICABLE<br>MUST REMAIN<br>WITHIN DIMENSIONS  |                                       | THIRD ANGLE PROJECTION  |  | DRAWING         |  | SERIES         |                 | MATERIAL NUMBER |          | CUSTOMER       | SHEET NUMBER |   |  |  |  |  |                    |  |            |                 |  |            |                |  |            |                          |  |  |  |                 |  |          |          |          |                   |  |  |  |              |  |     |     |    |  |  |             |  |            |  |           |  |                |  |              |  |          |               |  |            |  |                 |  |          |  |              |  |          |  |  |                        |  |         |  |        |  |                 |  |          |              |  |  |  |  |        |  |       |  |           |  |                |  |
|   |                                       |   |  | C-SIZE          |  | 75784          |                 | SEE CHART       |          | GENERAL MARKET |              |   |  |  |  |  |                    |  |            |                 |  |            |                |  |            |                          |  |  |  |                 |  |          |          |          |                   |  |  |  |              |  |     |     |    |  |  |             |  |            |  |           |  |                |  |              |  |          |               |  |            |  |                 |  |          |  |              |  |          |  |  |                        |  |         |  |        |  |                 |  |          |              |  |  |  |  |        |  |       |  |           |  |                |  |
| ▽ = 0   | GENERAL TOLERANCES (UNLESS SPECIFIED) |   |  |                 |  |                |                 |                 |          |                |              |   |  |  |  |  |                    |  |            |                 |  |            |                |  |            |                          |  |  |  |                 |  |          |          |          |                   |  |  |  |              |  |     |     |    |  |  |             |  |            |  |           |  |                |  |              |  |          |               |  |            |  |                 |  |          |  |              |  |          |  |  |                        |  |         |  |        |  |                 |  |          |              |  |  |  |  |        |  |       |  |           |  |                |  |
| ▽ = 0   | ANGULAR TOL ± 0.5°                    |   |  |                 |  |                |                 |                 |          |                |              |   |  |  |  |  |                    |  |            |                 |  |            |                |  |            |                          |  |  |  |                 |  |          |          |          |                   |  |  |  |              |  |     |     |    |  |  |             |  |            |  |           |  |                |  |              |  |          |               |  |            |  |                 |  |          |  |              |  |          |  |  |                        |  |         |  |        |  |                 |  |          |              |  |  |  |  |        |  |       |  |           |  |                |  |
| ▽ = 0   | 4 PLACES ±                            |   |  |                 |  |                |                 |                 |          |                |              |   |  |  |  |  |                    |  |            |                 |  |            |                |  |            |                          |  |  |  |                 |  |          |          |          |                   |  |  |  |              |  |     |     |    |  |  |             |  |            |  |           |  |                |  |              |  |          |               |  |            |  |                 |  |          |  |              |  |          |  |  |                        |  |         |  |        |  |                 |  |          |              |  |  |  |  |        |  |       |  |           |  |                |  |
| ▽ = 0   | 3 PLACES ±                            |   |  |                 |  |                |                 |                 |          |                |              |   |  |  |  |  |                    |  |            |                 |  |            |                |  |            |                          |  |  |  |                 |  |          |          |          |                   |  |  |  |              |  |     |     |    |  |  |             |  |            |  |           |  |                |  |              |  |          |               |  |            |  |                 |  |          |  |              |  |          |  |  |                        |  |         |  |        |  |                 |  |          |              |  |  |  |  |        |  |       |  |           |  |                |  |
| ▽ = 0   | 2 PLACES ± 0.13                       |   |  |                 |  |                |                 |                 |          |                |              |   |  |  |  |  |                    |  |            |                 |  |            |                |  |            |                          |  |  |  |                 |  |          |          |          |                   |  |  |  |              |  |     |     |    |  |  |             |  |            |  |           |  |                |  |              |  |          |               |  |            |  |                 |  |          |  |              |  |          |  |  |                        |  |         |  |        |  |                 |  |          |              |  |  |  |  |        |  |       |  |           |  |                |  |
| ▽ = 0   | 1 PLACE ± 0.25                        |   |  |                 |  |                |                 |                 |          |                |              |   |  |  |  |  |                    |  |            |                 |  |            |                |  |            |                          |  |  |  |                 |  |          |          |          |                   |  |  |  |              |  |     |     |    |  |  |             |  |            |  |           |  |                |  |              |  |          |               |  |            |  |                 |  |          |  |              |  |          |  |  |                        |  |         |  |        |  |                 |  |          |              |  |  |  |  |        |  |       |  |           |  |                |  |
| ▽ = 0   | 0 PLACES ±                            |   |  |                 |  |                |                 |                 |          |                |              |   |  |  |  |  |                    |  |            |                 |  |            |                |  |            |                          |  |  |  |                 |  |          |          |          |                   |  |  |  |              |  |     |     |    |  |  |             |  |            |  |           |  |                |  |              |  |          |               |  |            |  |                 |  |          |  |              |  |          |  |  |                        |  |         |  |        |  |                 |  |          |              |  |  |  |  |        |  |       |  |           |  |                |  |

# MATING INTERFACE (FOR REFERENCE ONLY)



- NOTES:
- PAD CONFIGURATION FOR FIRST MATE.
  - PAD CONFIGURATION FOR SECOND MATE.
  - PAD CONFIGURATION FOR THIRD MATE. (HIGH SPEED SIGNALS)
  - FOR PIN ASSIGNMENTS AND MATING SEQUENCE (1ST, 2ND, 3RD), SEE APPLICABLE SPECIFICATION.
  - MINIMUM STEP REQUIRED IF PCB MADE WIDER THAN TONGUE.

iPass™ IS A TRADEMARK OF MOLEX


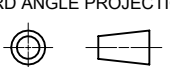
| CIRCUIT SIZE | TERM/SIDE 'N' | DIM 'B' | DIM 'C' | DIM 'D' | DIM 'E' |
|--------------|---------------|---------|---------|---------|---------|
| 26           | 13            | 9.60    | 4.60    | 5.00    | 11.60   |
| 36           | 18            | 13.60   | 6.60    | 7.00    | 15.60   |
| 50           | 25            | 19.20   | 9.40    | 9.80    | 21.20   |
| 68           | 34            | 26.40   | 13.00   | 13.40   | 28.40   |

|         |   |                        |   |
|---------|---|------------------------|---|
| SYMBOLS | THIS DRAWING CONTAINS INFORMATION THAT IS PROPRIETARY TO MOLEX ELECTRONIC TECHNOLOGIES, LLC AND SHOULD NOT BE USED WITHOUT WRITTEN PERMISSION |                        |   |
|         | DIMENSION UNITS   | SCALE                  | CURRENT REV DESC: MIGRATED TO NX  |
| ▽ = 0   | mm  | 1:1                    | EC NO: 666196<br>DRWN: BBEGALIMADHU 2018/03/05<br>CHK'D: JKACHLIC 2021/06/21<br>APPR: JKACHLIC 2021/06/21 |
| ▽ = 0   | GENERAL TOLERANCES (UNLESS SPECIFIED)   |                        |   |
| ▽ = 0   | ANGULAR TOL ± 0.5°  |                        | INITIAL REVISION:<br>DRWN: KLANG 2005/04/15<br>APPR: RNELSON 2005/04/18                                   |
| ▽ = 0   | 4 PLACES  | ±                      |   |
| ▽ = 0   | 3 PLACES  | ±                      | DOCUMENT NUMBER: SD-75784-001<br>DOC TYPE: PSD<br>DOC PART: 001<br>REVISION: D5                           |
| ▽ = 0   | 2 PLACES  | ± 0.13                 |   |
| ▽ = 0   | 1 PLACE   | ± 0.25                 | MATERIAL NUMBER: SEE CHART<br>CUSTOMER: GENERAL MARKET<br>SHEET NUMBER: 12 OF 13                          |
| ▽ = 0   | 0 PLACES  | ±                      |   |
| ▽ = 0   | DRAFT WHERE APPLICABLE MUST REMAIN WITHIN DIMENSIONS  | THIRD ANGLE PROJECTION | DRAWING: C-SIZE   |
| ▽ = 0   |   |                        | SERIES: 75784   |

REVISION DESCRIPTION

| REV | DATE      | DESCRIPTION               |
|-----|-----------|---------------------------|
| D5  | 2019/4/17 | DRAWING MIGRATION TO ECTR |

H  
G  
F  
E  
D  
C  
B  
A

|                    |   |   |                                  |                        |       |           |                |                 |          |   |  |
|--------------------|---|---|----------------------------------|------------------------|-------|-----------|----------------|-----------------|----------|---|--|
| FUNCTIONAL SYMBOLS | THIS DRAWING CONTAINS INFORMATION THAT IS PROPRIETARY TO MOLEX ELECTRONIC TECHNOLOGIES, LLC AND SHOULD NOT BE USED WITHOUT WRITTEN PERMISSION |   |                                  |                        |       |           |                |                 |          |   |  |
|                    | DIMENSION UNITS   | SCALE   | CURRENT REV DESC: MIGRATED TO NX |                        |       |           |                |                 |          |  |  |
| $\frac{F}{A} = 0$  | mm  | 1:1   | EC NO: 666196                    |                        |       |           |                |                 |          |   |  |
| $\frac{F}{C} = 0$  | GENERAL TOLERANCES (UNLESS SPECIFIED)   |   | DRWN: BBEGALIMADHU 2018/03/05    |                        |       |           |                |                 |          | I-PASS VERT CONNECTOR   |  |
| $\frac{F}{P} = 0$  | ANGULAR TOL $\pm 0.5^\circ$   |   | CHK'D: JKACHLIC 2021/06/21       |                        |       |           |                |                 |          | INTERNAL ASSY W/SHELL 0.8MM PITCH I/O   |  |
| DIVISIONAL SYMBOLS | 4 PLACES $\pm$  |   | APPR: JKACHLIC 2021/06/21        |                        |       |           |                |                 |          | PRODUCT CUSTOMER DRAWING  |  |
|                    | 3 PLACES $\pm$  |   | INITIAL REVISION:                |                        |       |           |                |                 |          | DOC TYPE   DOC PART   REVISION  |  |
|                    | 2 PLACES $\pm 0.13$   |   | DRWN: KLANG 2005/04/15           |                        |       |           |                |                 |          | SD-75784-001  |  |
|                    | 1 PLACE $\pm 0.25$  |   | APPR: RNELSON 2005/04/18         |                        |       |           |                |                 |          | PSD 001 D5  |  |
| 0 PLACES $\pm$     |   | DRAFT WHERE APPLICABLE MUST REMAIN WITHIN DIMENSIONS                                  |                                  | THIRD ANGLE PROJECTION |       | DRAWING   | SERIES         | MATERIAL NUMBER | CUSTOMER | SHEET NUMBER  |  |
|                    |   |  |                                  | C-SIZE                 | 75784 | SEE CHART | GENERAL MARKET | 13 OF 13        |          |   |  |