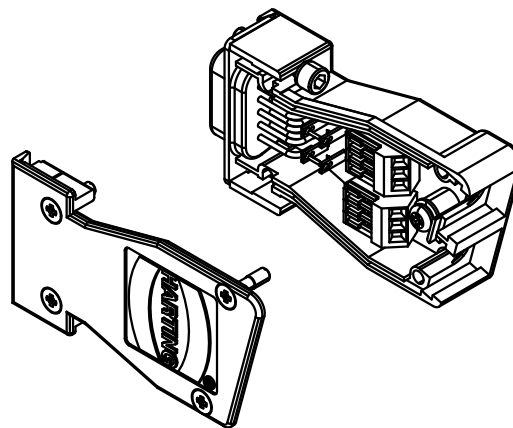
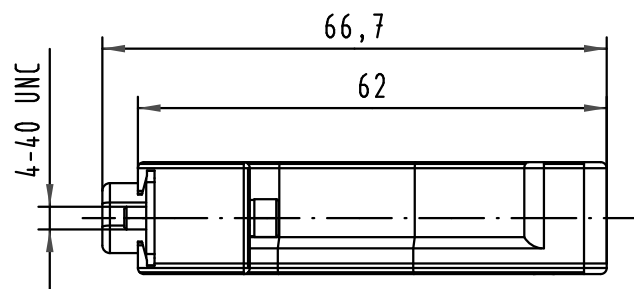
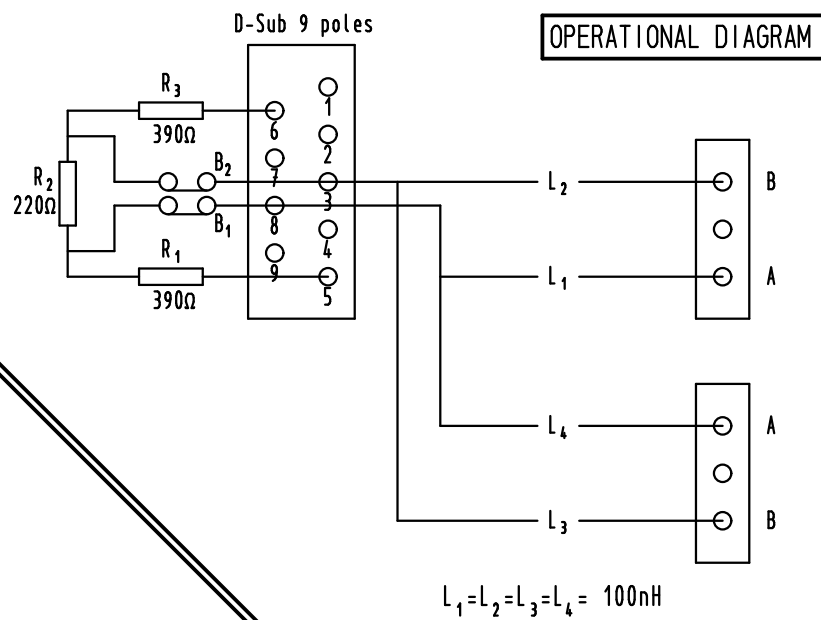
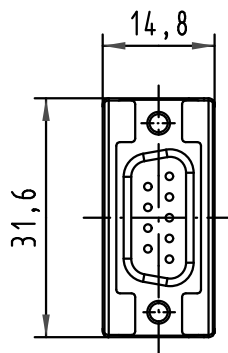
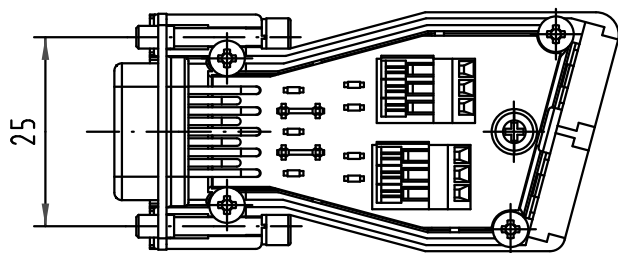


Darstellung ohne Deckel
view without cover



im Set enthalten
in set inclusive

| Anzahl number | Bezeichnung description |
|------------------|--|
| 1 | Blindstopfen 9-37 blanking piece 9-37 |

| | | | | | | | |
|----------------|---|-------|-------------------------------|-------------------|------|---|--|
| | ALL Dimensions in mm Original Size DIN A 4 | | | Techn. Character. | | Nicht tolerierte Maß/Free size tolerances | |
| | | | | Dat. | Name | Maßstab/Scale 1:1 | InduCom 9 Female - Profibus - 4-40 UNC Without clamp accessory |
| | | | Detail. | 21/09/10 | SC | | |
| | | | Insp. | | | | |
| | | | Stand. | | | | |
| | | | HARTING EURL F-95972 Paris | | | | TB 66 63 009 x204 |
| 66 63 009 6204 | PL2 | 36093 | 21/09/10 | SC | Sub. | | |
| Part number | Performance level | Mod. | Dat. | Name | | | |

66 63 009 6204

PL2

Part number

Performance level

36093

21/09/10

SC

Mod.

Dat.

Name

HARTING EURL
F-95972 Paris



TB 66 63 009 x204

Sub.

Blatt/ page

1/1