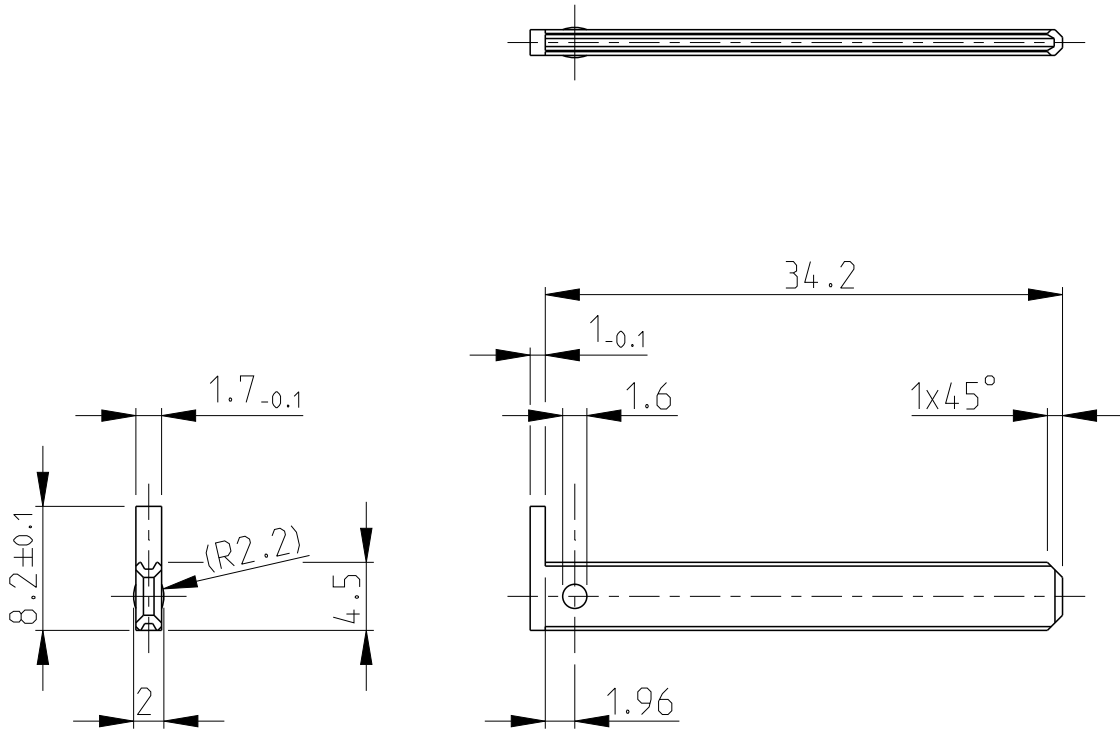


REVISIONS					
P	LTR	DESCRIPTION	DATE	DWN	APVD
	D2	NEW DRAWING CREATED	10SEP2007	Haas	Stre.
	D3	DASH NUMBER IN TABLE CORRECTED	16JAN2008	Haas	Stre.
	D4	TOLERANCE CHANGE	10MAR2023	KA	SPS



© 2023 TE Connectivity. All Rights Reserved.

926635-2	D		RED
926635-1	D		BLACK
PART NO.	REV.	MATERIAL	COLOR

DIMENSIONS: mm		DWN Haas,C. 10SEP2007	MATERIAL PA 6.6 13GV	FINISH -
TOLERANCES UNLESS OTHERWISE SPECIFIED: ±0.2mm		CHK Stredak,F. 11SEP2007	TE Connectivity	
0 PLC ± 1 PLC ± 2 PLC ± 3 PLC ± 4 PLC ± ANGLES ±		APVD Bleicher,M. 12SEP2007		
		PRODUCT SPEC -	NAME LOCKING SLIDE Kontaktsicherung fuer MODU IV Gehaeuse	
		APPLICATION SPEC -	SIZE A 4	CAGE CODE 00779
		WEIGHT -	DRAWING NO C-926635	RESTRICTED TO -
CUSTOMER DRAWING			SCALE 2:1	SHEET 1 OF 1
			REV D4	