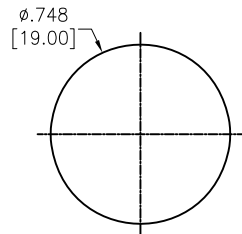
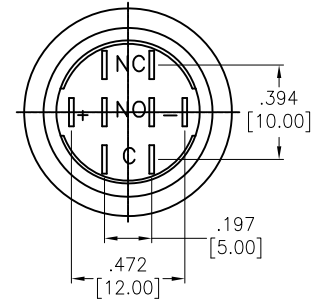
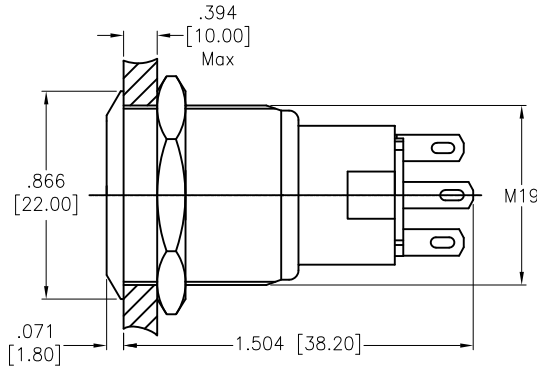
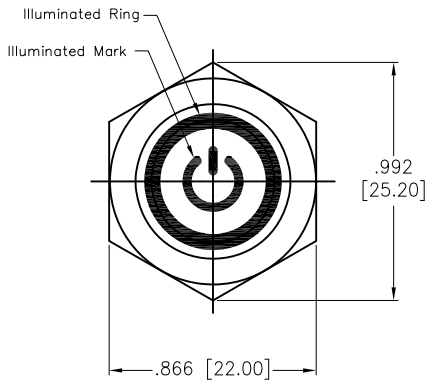
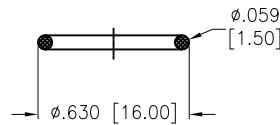


APPROVED: \_\_\_\_\_  
 DATE: \_\_\_\_\_ TITLE: \_\_\_\_\_

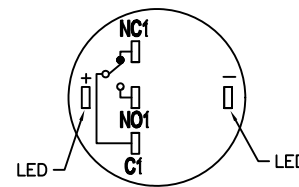
Rev	AWO #	Description	Date	Appr
-		RELEASED	11/2/21	
A		UPDATE SPEC.	11/12/21	WX/RC



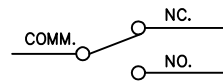
RECOMMENDED PANEL CUT  
 MAX.PANEL THICKNESS 10mm



SEAL RING



CIRCUIT



LATCHING  
CIRCUIT DIAGRAM  
 (SPDT)

SW-PB7-03LB22CFPXXXXX

"x"	LED Color	LED Voltage	
R	Red	6V	6V AC/DC
G	Green	12V	12V AC/DC
Y	Yellow	24V	24V AC/DC
O	Orange	110V	110V AC/DC
B	Blue	220V	220V AC/DC
W	White		

**SPECIFICATIONS:**

Material:  
 Body: PBT, Rated UL94V-0  
 Bushing: Stainless Steel, Varnish polished  
 Button: Stainless Steel, Varnish polished  
 Contact Material: Silver Alloy, (2.8x0.5mm)  
 Nut: Brass, Nickel plated  
 Electrical:

Voltage rating: 250V  
 Current rating: 5A max  
 Contact resistance: 50 mΩ max.  
 Insulation resistance: 1000M ohms min @ 500V DC.  
 Dielectric withstanding voltage: 2000V RMS, 50~60Hz.  
 Electrical Life: 50,000 cycles min at full load.

Mechanical:  
 Torque: 0.6Nm max.  
 Temperature Rating:  
 Operating temperature: -25°C to +55°C  
 Environmental:

Sealed IP67 Rated  
 Lead free, RoHS compliant



UNLESS OTHERWISE SPECIFIED ALL DIMENSIONS ARE INCHES [MM]. TOLERANCES: EXCEPT AS NOTED

INCHES		HOLES	
.x	± .10	Øx	± .10
.xx	± .020	Ø.xx	± .015
.xxx	± .015	Ø.xxx	± .010

**ADAM TECH** 909 Rahway Avenue,  
 Union, NJ 07083  
 Phone: 908-687-5000  
 Fax: 908-687-5710

DRAWN	JJ	11/2/21
CHECKED	RC	11/2/21
APPROVED		

TITLE SWITCH, ANTI-VANDAL, PUSH BUTTON,  
 19mm, LIGHTED RING, SPDT, LATCHING, N.O.-N.C.

THIS DRAWING CONTAINS INFORMATION THAT IS PROPRIETARY AND SHOULD NOT BE USED WITHOUT PRIOR WRITTEN PERMISSION FROM ADAM TECH

SIZE X	PART NO. SW-PB7-03LB22CFPXXXXX	REV. A
REF: S00198T	SCALE: NTS	SHEET 1 OF 1