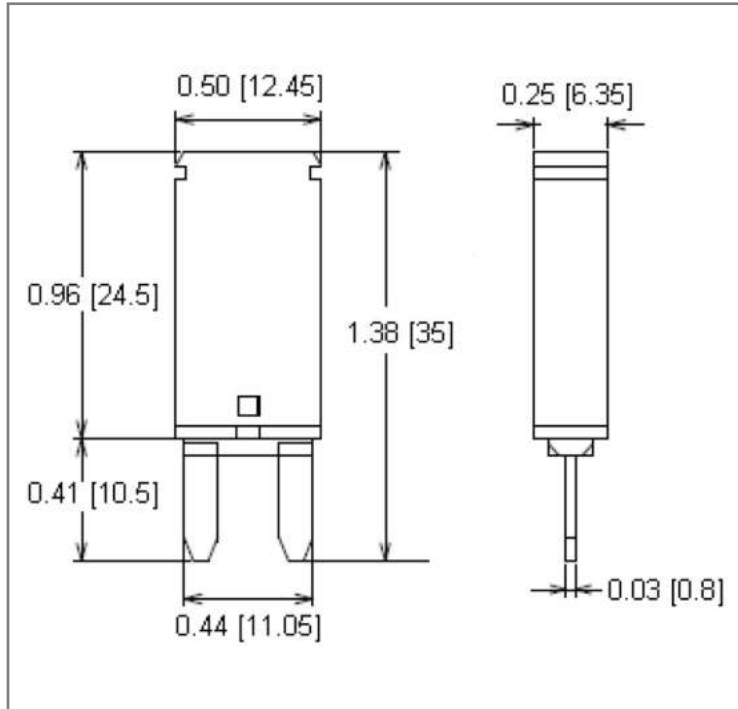


Miniature Blade Circuit Breaker

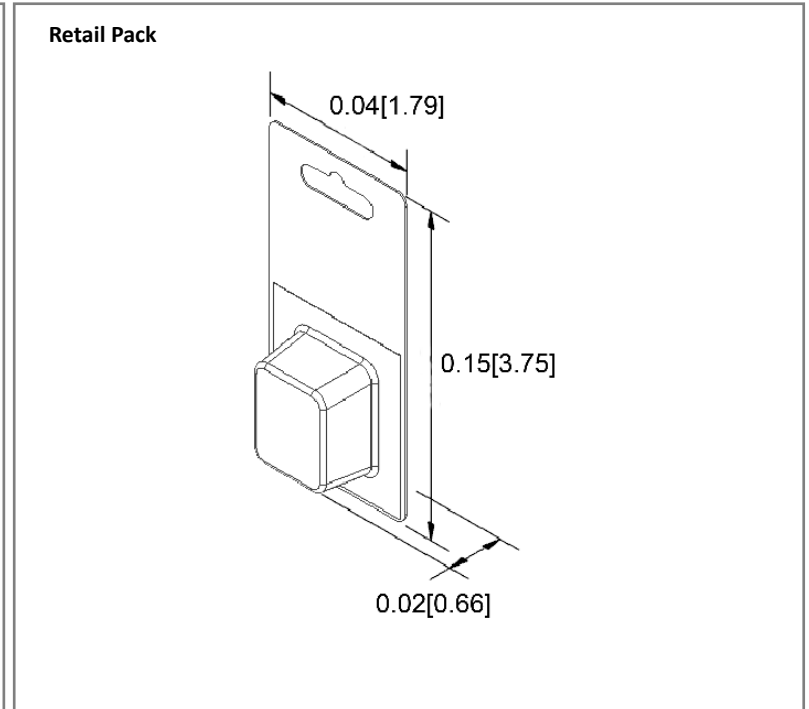
ACBP4-PM



Mechanical Dimensions: Inches [mm]



Retail Pack: Inches [mm]



Part Numbers Information

Amperage	Body Color	Bulk Part #	Retail Pack # Blister Card	Pack Size
5A	Tan	ACBP4-PM-5A	ACBP4-PM-5A-BP	1
7.5A	Brown	ACBP4-PM-7.5A	ACBP4-PM-7.5A-BP	1
10A	Red	ACBP4-PM-10A	ACBP4-PM-10A-BP	1
15A	Blue	ACBP4-PM-15A	ACBP4-PM-15A-BP	1
20A	Yellow	ACBP4-PM-20A	ACBP4-PM-20A-BP	1
25A	White	ACBP4-PM-25A	ACBP4-PM-25A-BP	1
30A	Green	ACBP4-PM-30A	ACBP4-PM-30A-BP	1

Electrical Specifications

Voltage Rating	14VDC
Reset Type	Type I - Auto Reset
Operation Temperature	-40°C ~ 85°C
Storage Temperature	-40°C ~ 125°C
Testing	SAE J553 Type I

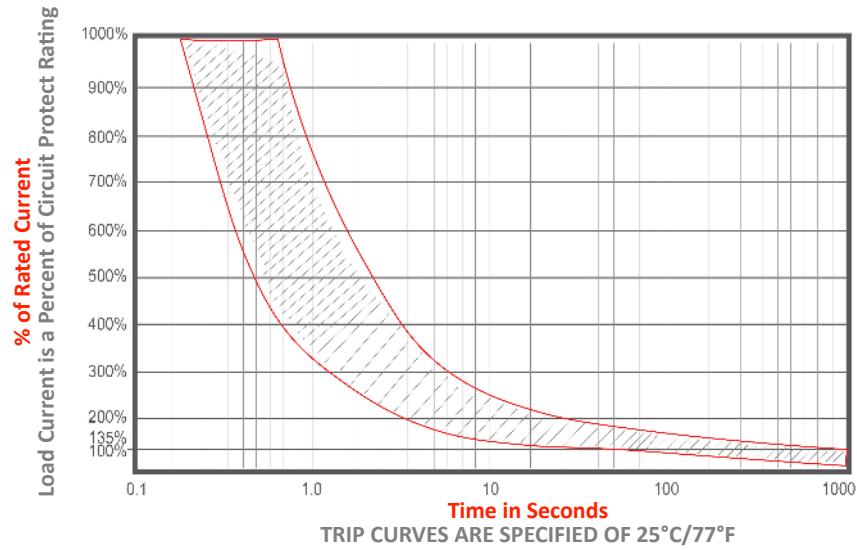
Material Specifications

Miniature Blade Circuit Breaker	
Body	Thermoplastic – (UL Rated 94-V-0)
Terminals	Tin plated Copper Alloy

Interrupt Rating

Ampere Rated	Interrupt Rating
5A-10A version	150A @ 14 VDC
15A version	225A @ 14 VDC
20A version	300A @ 14 VDC
25A-30A version	450A @ 14 VDC

Time vs. Percent of Rated Current



Rev **Date of issue** **Revision Notes**

Designed **Approved**

A	05-30-2023	Initial Drawing	RC	OF
---	------------	-----------------	----	----