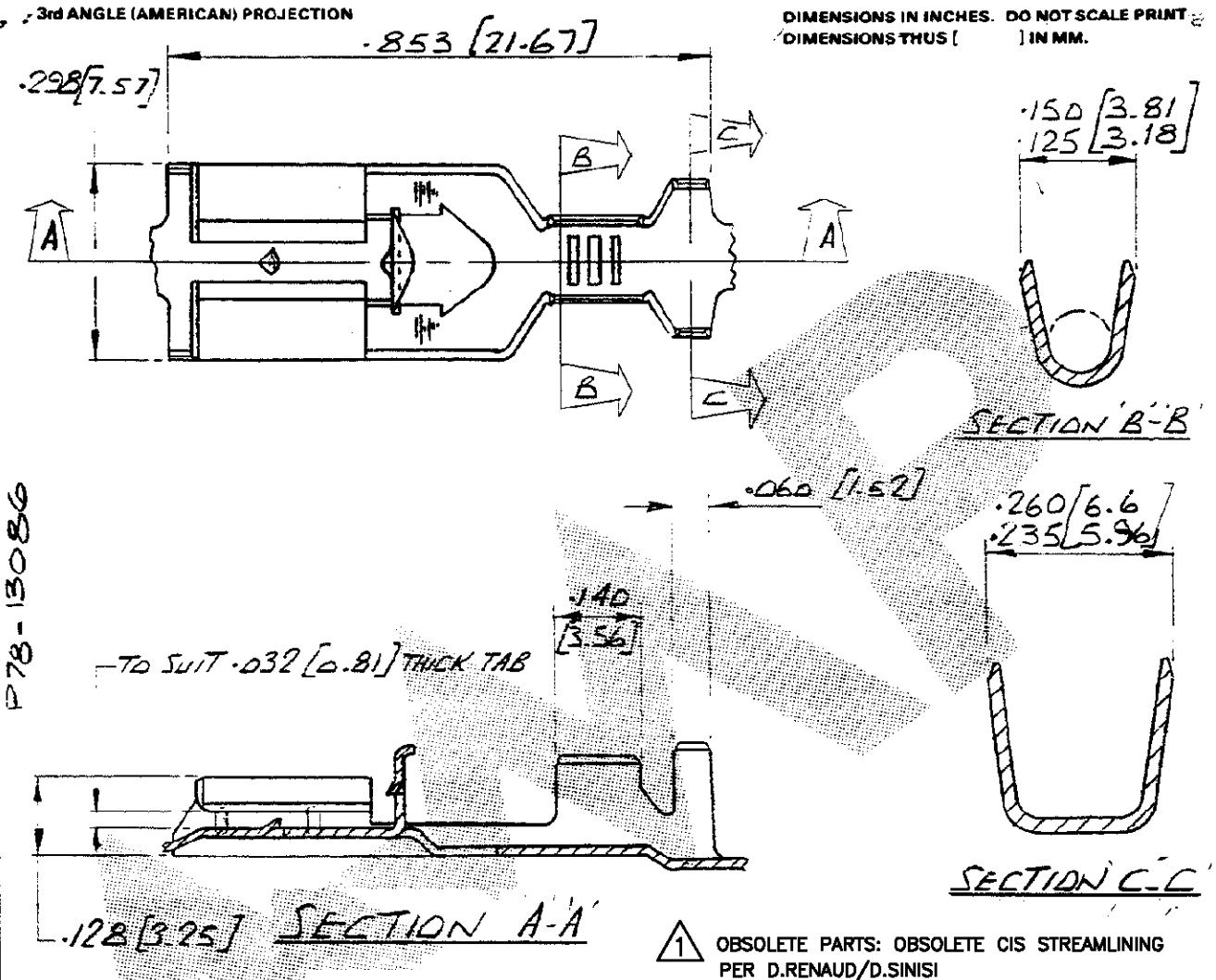


C:341298



P78-13086

	341411-1	1-341298-2	BRASS	
OBSOLETE	341411-2	1-341298-1	BRASS	PRE-TIN
AUSTRALIAN PROD. ONLY	341411-5	341298-5	NICKEL SILVER	
	341411-4	341298-4	PHOSPHOR BRONZE	PRE-TIN
⚠ OBSOLETE	341411-3	341298-3	PHOSPHOR BRONZE	
	341411-2	341298-2	BRASS	PRE-TIN
	341411-1	341298-1	BRASS	
	Loose Piece Part No	Part No	MATERIAL	FINISH

F1	ECO-09-026346	KK	AEG	28NOV09	© AMP of GREAT BRITAIN LTD 1978	CUSTOMER COPY REFERENCE ONLY
F	1--2 ADDED	R.P.	5574	26790	AMP of Great Britain Ltd. CLASS WIRE - RANGE - INSULATION 1-2.5mm ² 2.6mm-3.6mm TOLERANCE EXCEPT AS NOTED ± 0.15 [0.38] ± 1° 0'	MATERIAL AND FINISH SEE TABLE AMP TERMINAL HOUSE, STANMORE, MIDDX.
E	1--1 ADDED	DR	5561	28118		
D	341298-4 & 5 OBSOLETE	A.B.H.	5055	29988		
C	-5 MAT. NICKEL SILVER ADDED	DR	5561	28118		
B	-5 MATERIAL: NICKEL SILVER DELETED	A.H.	-	6483		
ISS	REVISION RECORD	DR	CHK	DATE	TYPE	LOC NO
DR	C.F. SLOUGH 9/6/78	DE	J.P. 5-7-78		LOC	NO
CHK	J.P. 5-7-78	APP			E	A C:341298
					NAME POSITIVE LOCK RECEPTACLE MK II (250)	