

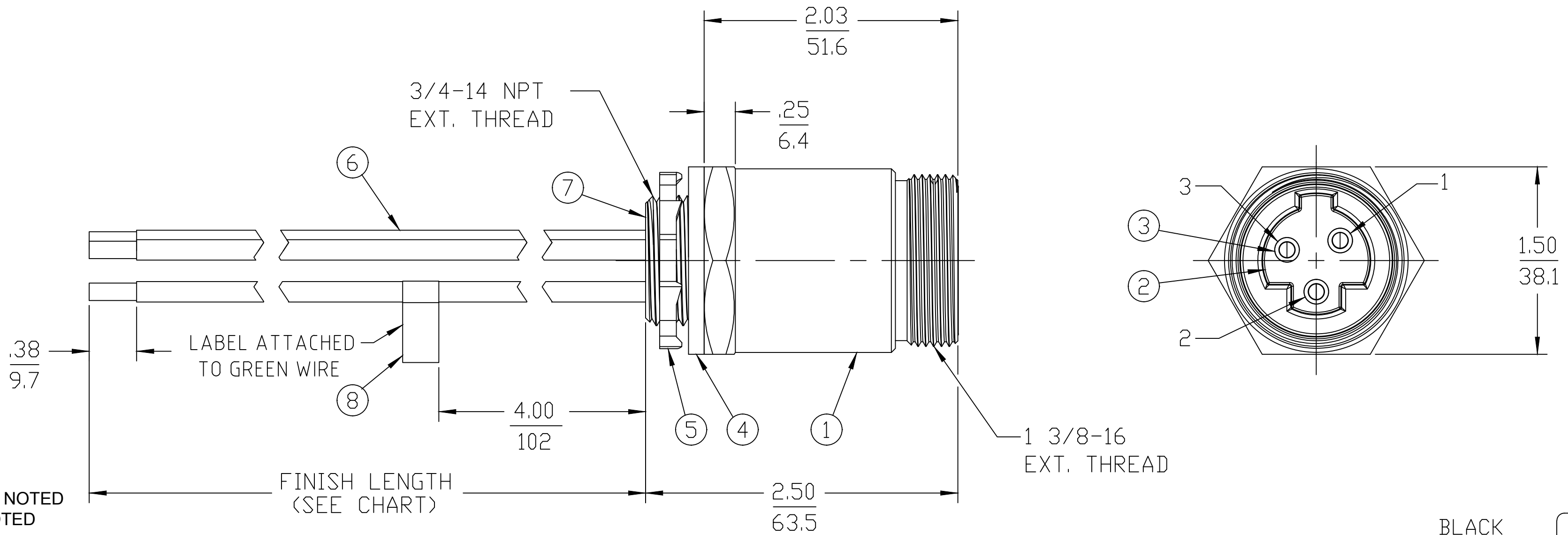
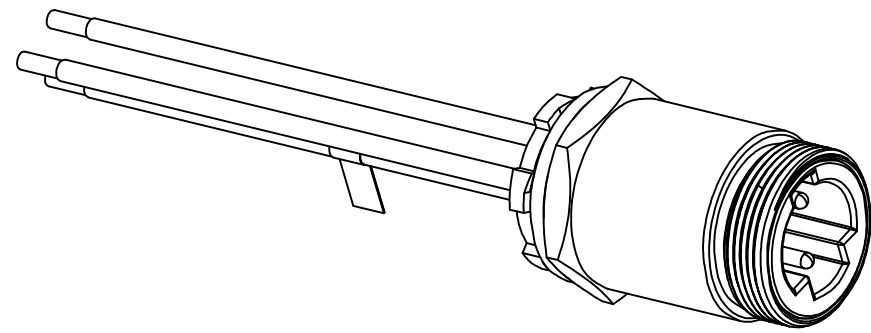
13	12	11	10	9	8	7	6	5	4	3	2	1
PART NUMBER		ENGINEERING NUMBER		FINISH LENGTH								
1300660259		CR3D06A30M005		1.64' [0.5M]								

PART NUMBER LEGEND

CR3D06A30M005

LENGTH
M005 = 0.5 METER
M010 = 1 METER
M100 = 10 METER

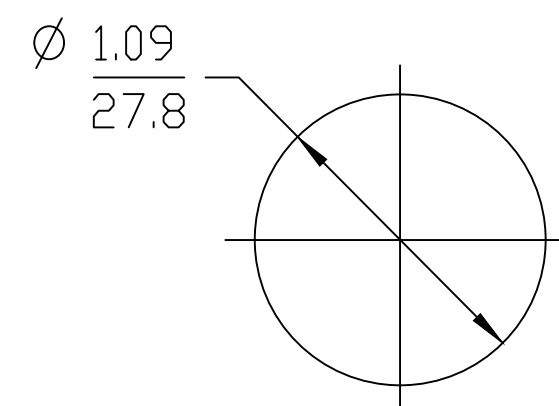
CABLE LENGTH TOLERANCES	
>.3M [1FT]:	+19mm-0 [+ .75in-0]
.3 - .9M [1 - 3FT]:	+44.5mm-0 [+1.75in-0]
.9 - 1.8M [3 - 6FT]:	+55.6mm-0 [+2.19in-0]
1.8 - 3.7M [6 - 12FT]:	+88.9mm-0 [+3.50in-0]
3.7 - 7.3M [12 - 24FT]:	+165.1mm-0 [+6.50in-0]
7.3-14.6M [24 - 48FT]:	+317.5mm-0 [+12.50in-0]
14.6 - 30.5M [48-100FT]:	+622.3mm-0 [+24.50in-0]
OVER 30M [100FT]:	+2% OF FINISHED LENGTH



- NOTES:**
1. MATERIAL: AS NOTED
 2. FINISH: AS NOTED
 3. ELECTRICAL:
VOLTAGE: 3P: 630V PER IEC60664
600V PER UL2237
CURRENT: 32A
 4. TEMP RATING: -20°TO +90°C
 5. PROTECTION: IP67 (WHEN MATED)
 6. COUPLING THREAD: 1 3/8-16UN
 7. UL LISTED FILE: E258922
 8. ALL DIMS ARE FOR REFERENCE UNLESS NOTED OTHERWISE

BLACK	1
GREEN	2
WHITE	3

WIRING DIAGRAM



8	1	FLAG LABEL	VINYL	YELLOW
7	A/R	POTTING	EPOXY	BLACK
6	3	#10-1 AWG UL1015 WIRE (B)	PVC JACKET	SEE WIRING DIAGRAM
5	1	LOCKNUT	STEEL	ZINC PLATED
4	1	GASKET	NEOPRENE	BLACK
3	3	PIN CONTACT	COPPER ALLOY	GOLD PLATED
2	1	MALE INSERT, 3 POLE	PVC	BLACK
1	1	RECEPTACLE SHELL	ALUMINUM	BLACK ANODIZED
ITEM	QTY.	DESCRIPTION	MATERIAL	FINISH

UL 1015 WAS THHN EC NO: IFC2019-0200 DRWN: JCAPPOZZ 2018/11/29 CH'KD: RSTONE APPR: BWOODMAN2018/12/18	QUALITY SYMBOL ▽=0 ▽=0	GENERAL TOLERANCES (UNLESS SPECIFIED)		DIMENSION STYLE	SCALE	DESIGN UNITS	THIRD ANGLE PROJECTION		
				IN/MM	4:1	INCH			
		4 PLACES ±---		mm	INCH	DRAWN BY	DATE	TITLE	
		3 PLACES ±---				JCAPPOZZ	2018/11/29	BRAD POWER MALE, 3/4" NPT, 3 POLE, DC RECEPTACLE ASSEMBLY	
2 PLACES ±---				CHECKED BY	DATE	MOLEX INCORPORATED			
1 PLACE ±---				APPROVED BY	DATE	DOCUMENT NO.			
		ANGULAR ±---		BWOODMAN	2018/12/18	SD-130066-062			
		DRAFT WHERE APPLICABLE MUST REMAIN WITHIN DIMENSIONS		MATERIAL NO.		SHEET NO.			
				SEE P/N CHART		1 OF 1			
				THIS DRAWING CONTAINS INFORMATION THAT IS PROPRIETARY TO MOLEX INCORPORATED AND SHOULD NOT BE USED WITHOUT WRITTEN PERMISSION					

REF. THIS DRAWING SUPERSEDES COCREATE REV. A