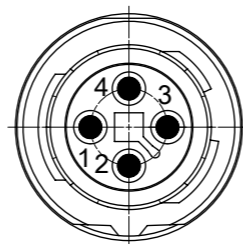
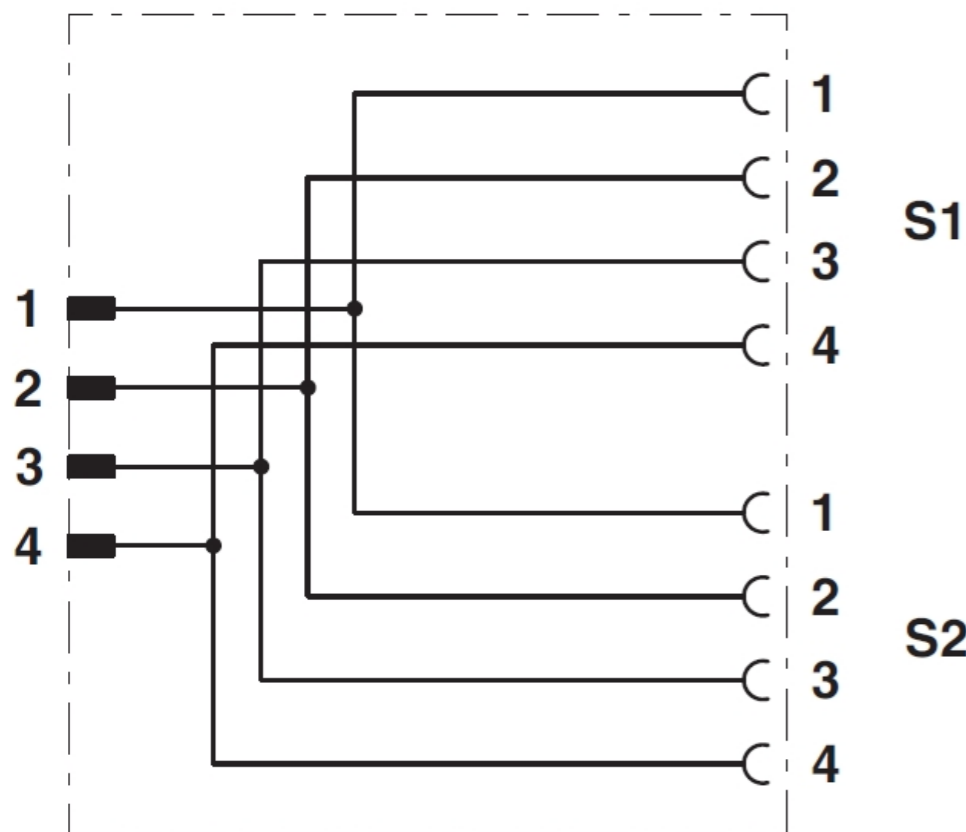
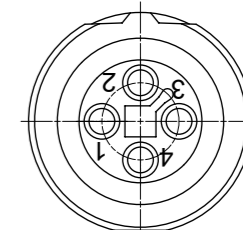
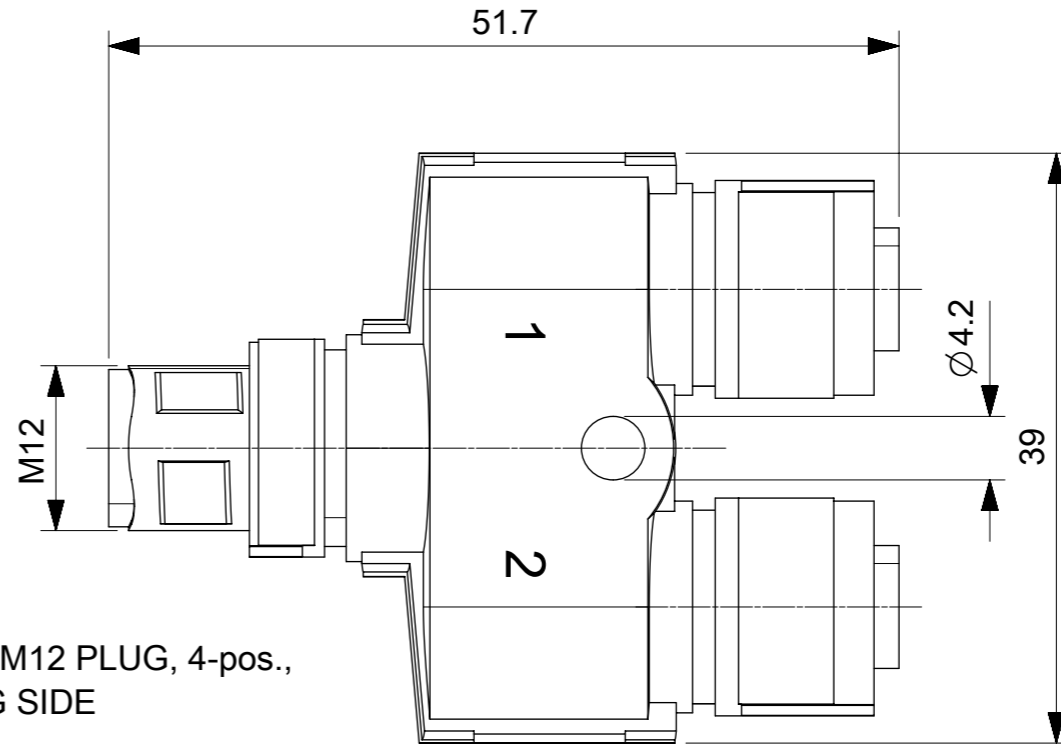


CIRCUIT DIAGRAM



PIN ASSIGNMENT FOR M12 PLUG, 4-pos., T-coded, VIEW OF PLUG SIDE



CONNECTOR PIN ASSIGNMENT OF M12 SOCKET, 4-pos., T-coded, VIEW OF SOCKET SIDE

MATERIAL / Werkstoffe

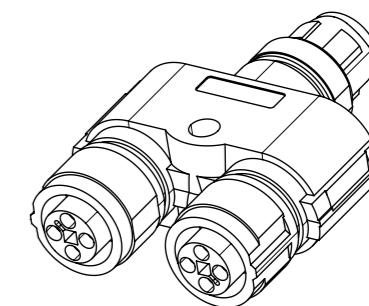
FLAMMABILITY RATING ACCORDING TO UL 94 / Brandklassifizierung UL94	HB
MATERIAL CONTACT / Material Kontakt	CuZn (BRASS / Messing)
CONTACT SURFACE / Kontaktoberfläche	Ni/Au
MATERIAL INSERT / Material Kontaktträger	PA
MATERIAL OF GRIP BODY / Material Griffkörper	TPU, hardly inflammable, self-extinguishing
MATERIAL, KNURLS / Material Rändel	Zinc die-cast, nickel-plated
SEALING MATERIAL / Abdichtungsmaterial	NBR

GENERAL CHARACTERISTIC / Allgemeine Kennwerte

RATED VOLTAGE / Bemessungsspannung	60 V
RATED CURRENT AT 40 °C / Bemessungsstrom 40 °C	2x 12 A
POLLUTION DEGREE / Verschmutzungsgrad	3
OVERVOLTAGE CATEGORY / Überspannungskategorie	III
INSULATOR RESISTANCE / Isolierstoffgruppe	≥ 100 mΩ
NUMBER OF POSITIONS / Anzal der Psitionen	4
STATUS DISPLAY / Statusanzeige	NO
STANDARDS; REGULATIONS / Standards; vorschriften	IEC 61076-2-111
INSERTION ; WITHDRAWAL CYCLES / Meschanische Lebensdauer	≥100

AMBIENT CONDITIONS / Umgebungsbedingungen

AMBIENT TEMPERATURE (OPERATION) / Umgebungstempratur (Betrieb)	-25 °C ... 80 °C
DEGREE OF PROTECTION / Schutzgrad	IP65
	IP67



SCALE 1:1

NOTES / Bemerkungen:
 PACKED IN A BAG
 Einzelverpackt im Zipper Beutel

QUALITY SYMBOLS ▽ = 0 ▽ = 0 ▽ = 0 ▽ = 0 ▽ = 0 ▽ = 0 ▽ = 0 ▽ = 0 ▽ = 0 ▽ = 0	THIS DRAWING CONTAINS INFORMATION THAT IS PROPRIETARY TO MOLEX ELECTRONIC TECHNOLOGIES, LLC AND SHOULD NOT BE USED WITHOUT WRITTEN PERMISSION				DIMENSION UNITS MM		SCALE 2:1				
	EC NO.: 114739 DRWN: SMORADICHARG CHK'D: BBRAUCH 2017/03/20 2017/03/22	GENERAL TOLERANCES (UNLESS SPECIFIED) ANGULAR TOL ± 1.0 °		DRWN BY SMORADICHARG		DATE 2016/11/04		SPL M12 YS 4P TC MAFE PA UNSH			
		4 PLACES ± 3 PLACES ± 2 PLACES ± 0.05 1 PLACE ± 0.3 0 PLACES ± 0.5		CHK'D BY RSILLER		DATE 2016/11/23					PRODUCT CUSTOMER DRAWING
	DRAFT WHERE APPLICABLE MUST REMAIN WITHIN DIMENSIONS		DRAWING SIZE A3		THIRD ANGLE PROJECTION		SERIES 120504	MATERIAL NUMBER 1205040001		CUSTOMER GENERAL MARKET	
	A1		REV APPR: BBRAUCH		DOCUMENT NUMBER 1205040001		DOC TYPE PSD	DOC PART 000	SHEET NUMBER 1 OF 1		