

Electronic housing - UM108-SEFE/L-A60 - 2959722


Please be informed that the data shown in this PDF Document is generated from our Online Catalog. Please find the complete data in the user's documentation. Our General Terms of Use for Downloads are valid (<http://phoenixcontact.com/download>)



Side element, with foot, tall version, left-hand, for 60 mm wide U-shaped cover.



Key commercial data

Packing unit	1 pc
Minimum order quantity	10 pc
GTIN	 4 017918 100995
Weight per Piece (excluding packing)	16.89 GRM
Custom tariff number	39269097
Country of origin	Poland

Technical data

General

Housing type	Panel mounting base
Housing material	PA
Color	green

Technical data

Inflammability class according to UL 94	V0
---	----

Classifications

eCl@ss

eCl@ss 4.0	27180401
eCl@ss 4.1	27180401
eCl@ss 5.0	27180506

Electronic housing - UM108-SEFE/L-A60 - 2959722

Classifications

eCl@ss

eCl@ss 5.1	27180506
eCl@ss 6.0	27180802
eCl@ss 7.0	27182701
eCl@ss 8.0	27182701

ETIM

ETIM 2.0	EC001031
ETIM 3.0	EC001031
ETIM 4.0	EC001031
ETIM 5.0	EC001031

UNSPSC

UNSPSC 6.01	31261501
UNSPSC 7.0901	31261501
UNSPSC 11	31261501
UNSPSC 12.01	31261501
UNSPSC 13.2	31261501

Approvals

Approvals


Approvals

UL Recognized

Ex Approvals

Approvals submitted

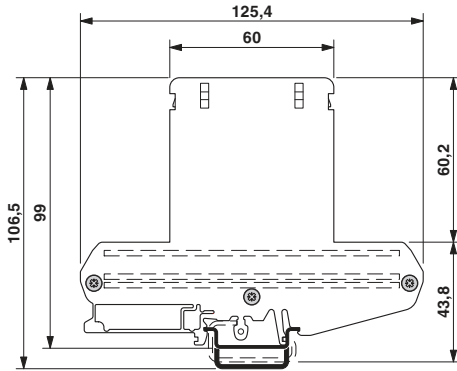
Approval details

UL Recognized 

Drawings

Electronic housing - UM108-SEFE/L-A60 - 2959722

Dimensioned drawing



Catalog photo

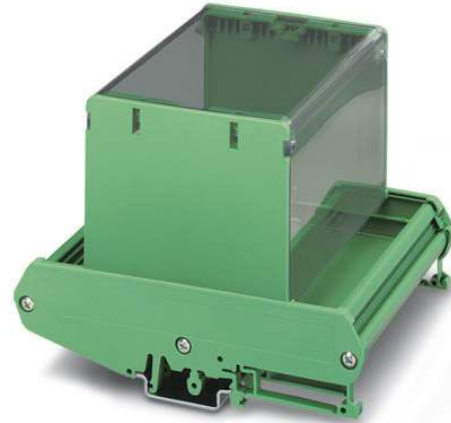


Figure may contain other products.