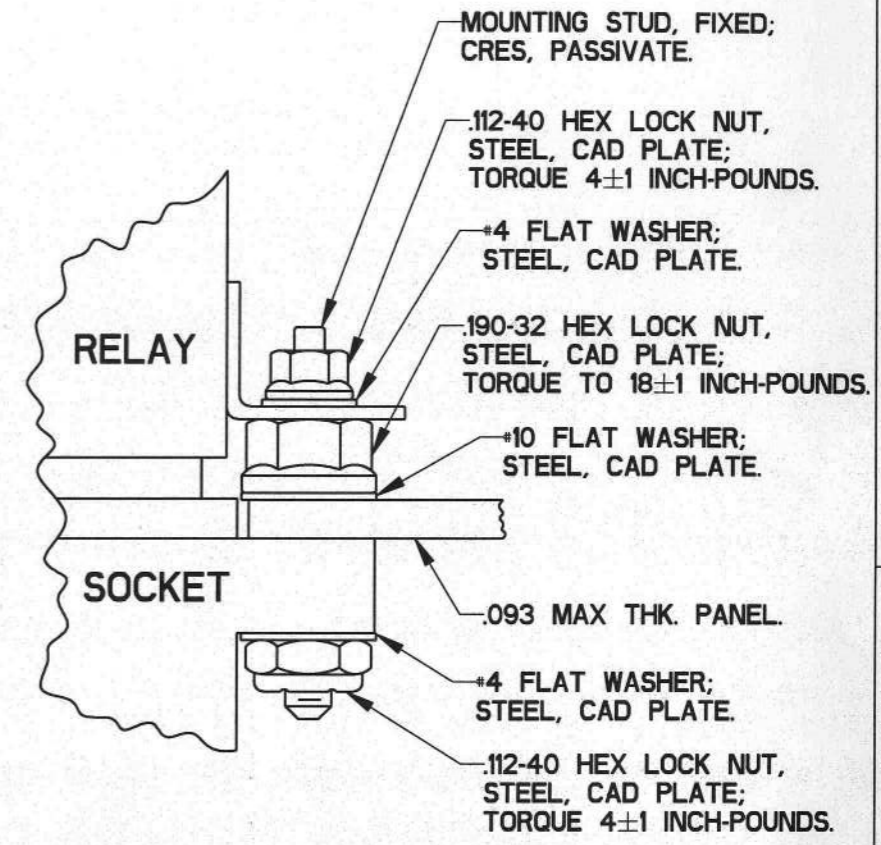
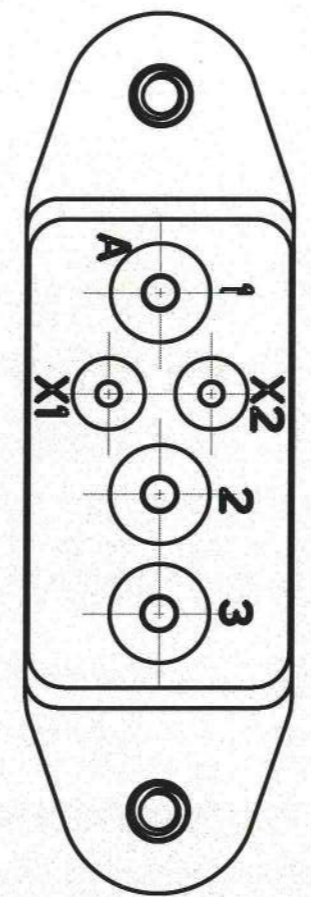
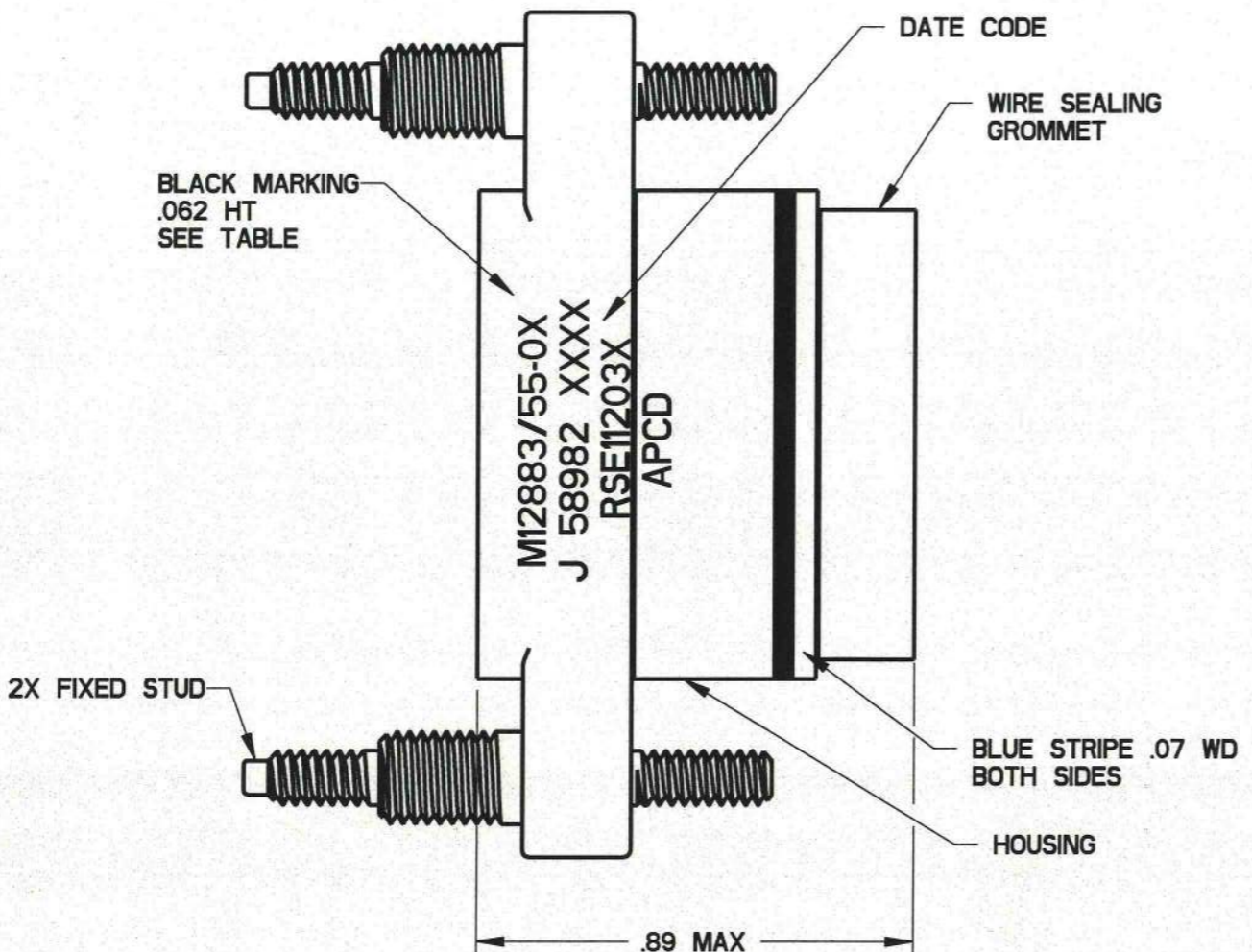
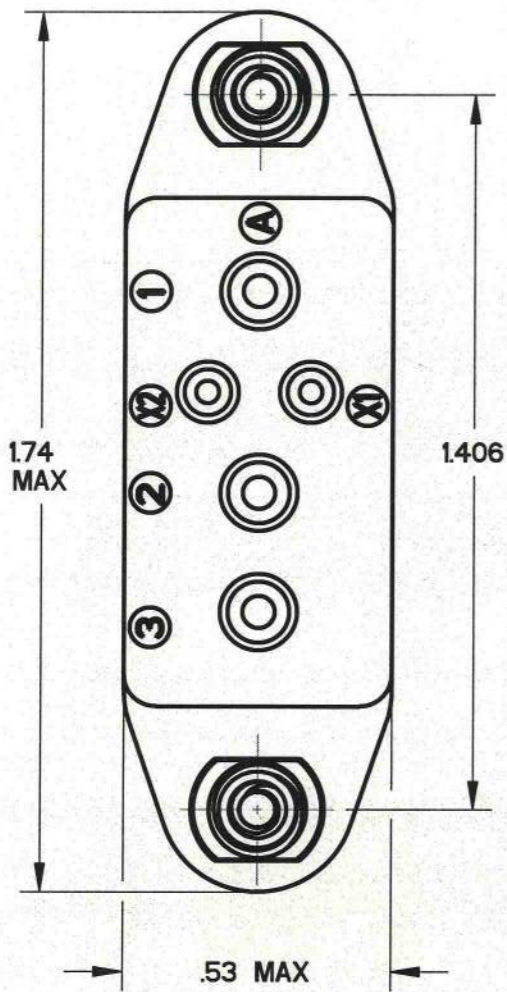


REV	ECN	APP'D
A	6494	3/4/10



**MOUNTING HARDWARE**  
TYP 2 PLACES

RSE112034

RSE112034

- NOTES:
- CONFORMS TO PERFORMANCE REQUIREMENTS OF MIL-DTL-12883.
  - MATERIALS:  
HOUSING: POLYETHERIMIDE, COLOR: BLUE GREEN.  
GROMMET - SILICONE RUBBER PER A-A-59588, 50±10 DUROMETER, COLOR: RED
  - SOCKET CONTACTS CONFORM TO PERFORMANCE REQUIREMENTS OF MIL-C-39029/92.
  - COMPLETE MOUNTING HARDWARE SUPPLIED.
  - OPERATING TEMPERATURE -70°C TO 125°C.
  - CONTACT INSTALLATION TOOLS:  
\* 12 CONTACT - CRIMP TOOL: M22520/1-01  
POSITIONER: M22520/1-02  
INSERTION/REMOVAL: M81969/14-04  
\* 16 CONTACT - CRIMP TOOL: M22520/1-01  
POSITIONER: M22520/1-02  
INSERTION/REMOVAL: M81969/14-03

RELAY SOCKET P/N		SUPPLIED CONTACTS				MARKING
MILITARY	APCD	SIZE	MIL P/N	APCD P/N	QTY	
M12883/55-01	RSE112034	CONTACTS NOT SUPPLIED				M12883/55-01 J 58982 XXXX RSE12035
	RSE112035	12/12	M39029/92-535	CNS128900	3	
16/16		M39029/92-533	CNS126900	2		
M12883/55-02	RSE112036	12/16	M39029/92-536	CNS129900	3	
		16/16	M39029/92-533	CNS126900	2	
RSE112039		CONTACTS NOT SUPPLIED				

DIMENSIONS ANSI Y14.5M UNITS: INCHES Pro/E FILE	TOLERANCES .XX ±0.01 .XXX ±0.005 ANGLES ±2.0°	PROJECTION 	<b>Amphenol Pcd</b> SPECIFICATION DRAWING ENGR M. DIGIACOMO 3/2/2010		TITLE RELAY SOCKET (3) SIZE 12, (2) SIZE 16 M12883/55		
			ORIGINAL 	THIS DOCUMENT CONTAINS PROPRIETARY INFORMATION WHICH IS THE CONFIDENTIAL PROPERTY OF AMPHENOL PCD INC. BEVERLY, MA, USA		CHKD 3/4/10	APPD 3/4/10
			CODE: 58982	SHEET 1 OF 1			